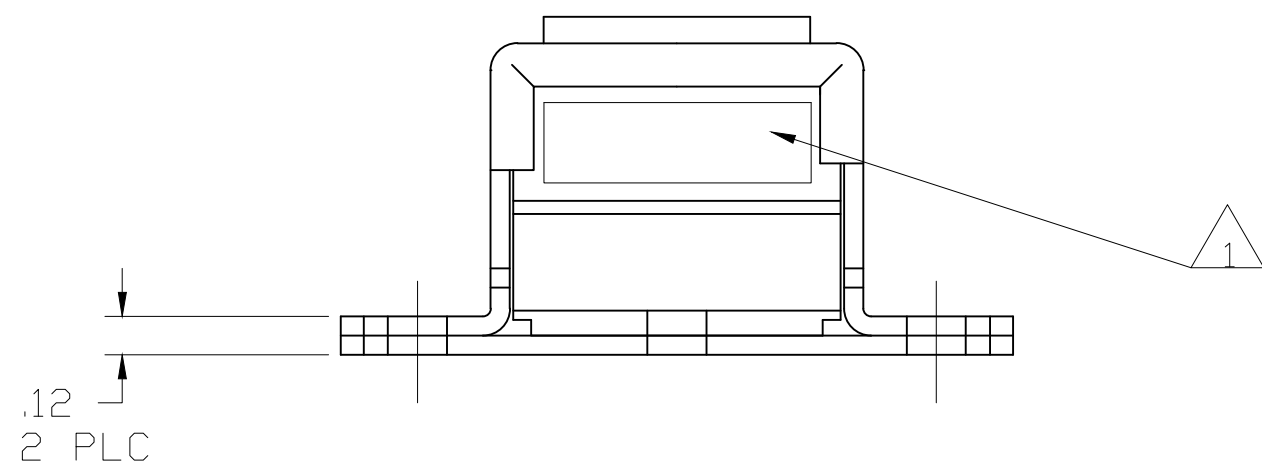
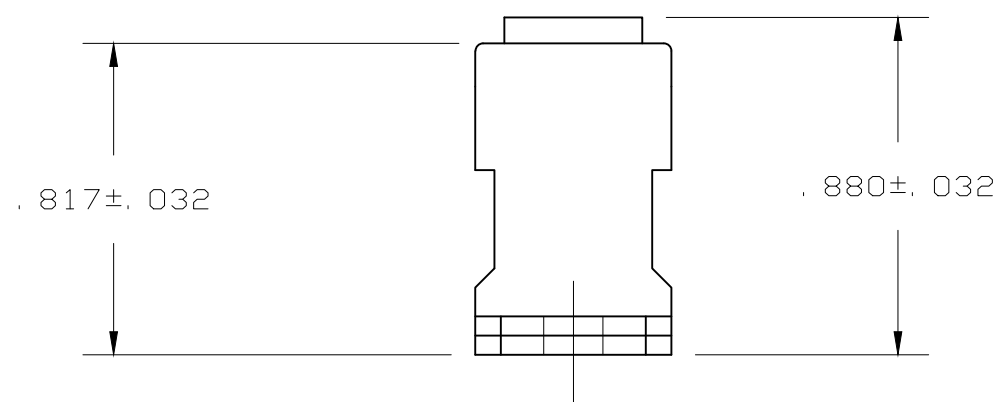
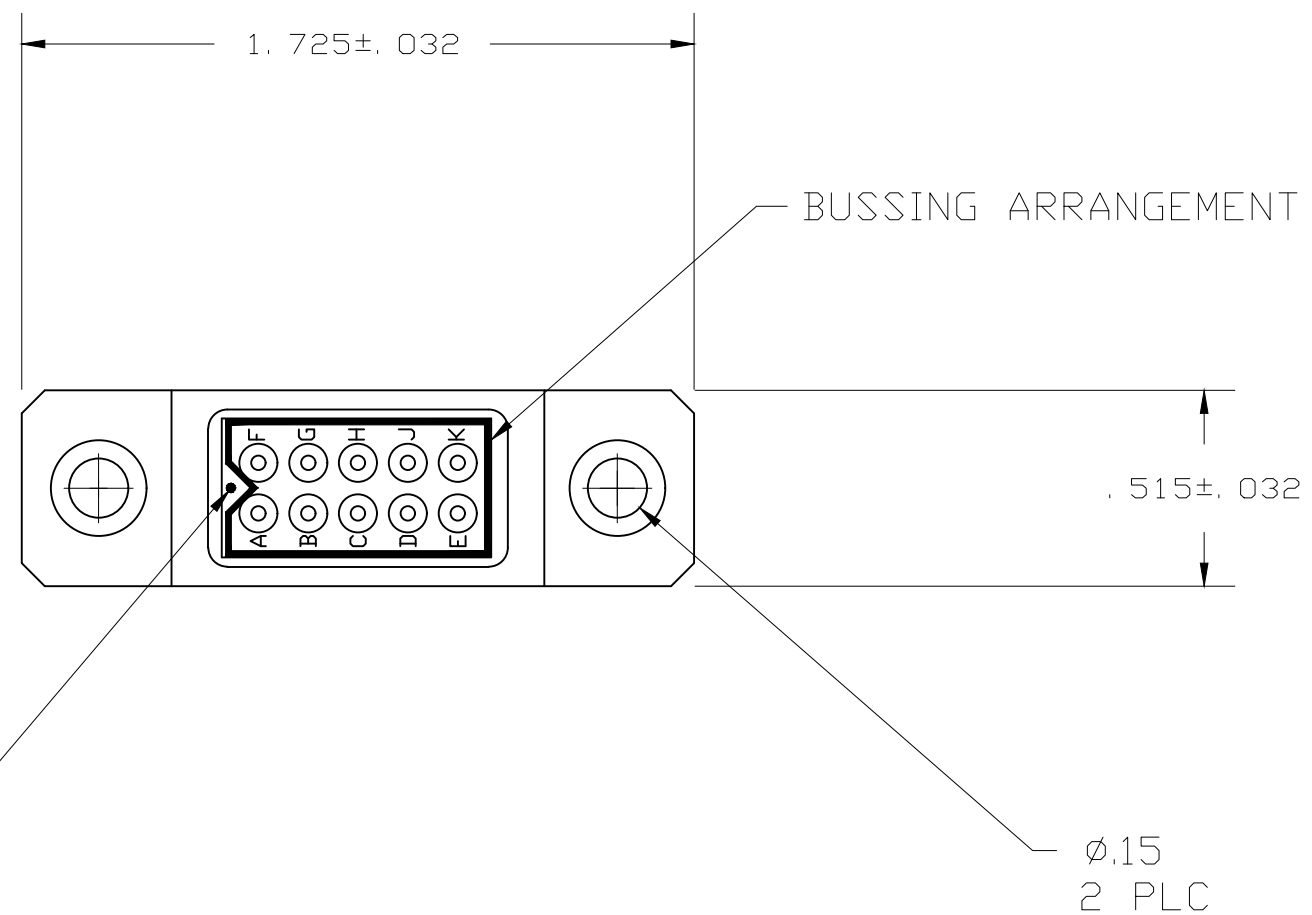


THIS DRAWING IS UNPUBLISHED. RELEASED FOR PUBLICATION
 © COPYRIGHT - TE Connectivity Ltd. ALL RIGHTS RESERVED.

REVISIONS				
P	LTR	DESCRIPTION	DATE	APVD
D		REV PER ECD 20-001680	2-7-20	CT VR

DESCRIPTION	MATERIAL	FINISH
GROMMET	FLUOROSILICONE	COLOR: BLUE
MODULE ASSEMBLY	EPOXY, EPIALL 1908B OR E484 OR FIBERITE E8354	COLOR: BLACK
CONTACT, SOCKET ASSEMBLY	BERYLLIUM COPPER PER ASTM-B194	GOLD PLATE PER MIL-G-45204
CLIP CONTACT RETAINING	BERYLLIUM COPPER PER ASTM-B194 OR STAINLESS STEEL PER QQ-S-766	NONE
BRACKET / GROUNDING PLATE	AL-ALLOY 6061-T4	NICKEL PLATE PER QQ-N-290
CONTACT QTY 11	COPPER ALLOY PER MIL-C-39029/1	GOLD PLATE PER MIL-G-45204
SEALING PLUG QTY 2	F.E.P. PER MIL-P-19468	COLOR: RED



- 1 MODULE ASSEMBLY MARKED WITH "TE", TE PART NO. AND DATE CODE .060 MINIMUM HIGH CHARACTERS AT APPROXIMATE AREA SHOWN.
- 2 CONTACTS AND SEALING PLUGS SUPPLIED WITH MODULE ASSEMBLY.

REMARKS	DESCRIPTION	PART NO.
—	SIZE 22	592836-3
—	SIZE 20	592836-2
2	SIZE 20	592836-1

THIS DRAWING IS A CONTROLLED DOCUMENT.		DWN C. C. THOMAS 5-26-99		
DIMENSIONS: INCHES		CHK D. MILLER 5-26-99		
TOLERANCES UNLESS OTHERWISE SPECIFIED:		APVD D. MILLER 5-26-99	NAME	
0 PLC ± - 1 PLC ± - 2 PLC ± .02 3 PLC ± .005 4 PLC ± - ANGLES ± -		PRODUCT SPEC	MODULE WITH GROUNDING BRACKET SIZE 20/22, TJ	
MATERIAL SEE TABLE		FINISH SEE TABLE	APPLICAITON SPEC	RESTRICTED TO
		WEIGHT 0.000000	SIZE A2	CAGE CODE 00779
		CUSTOMER DRAWING	DRAWING NO. C-592836	SCALE 2:1
			SHEET 1 OF 1	REV D