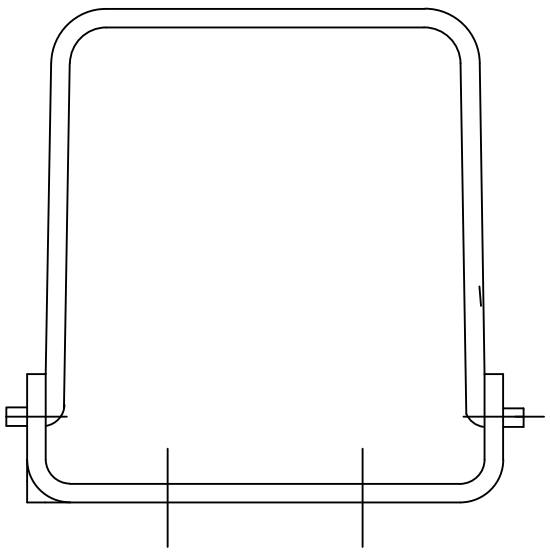
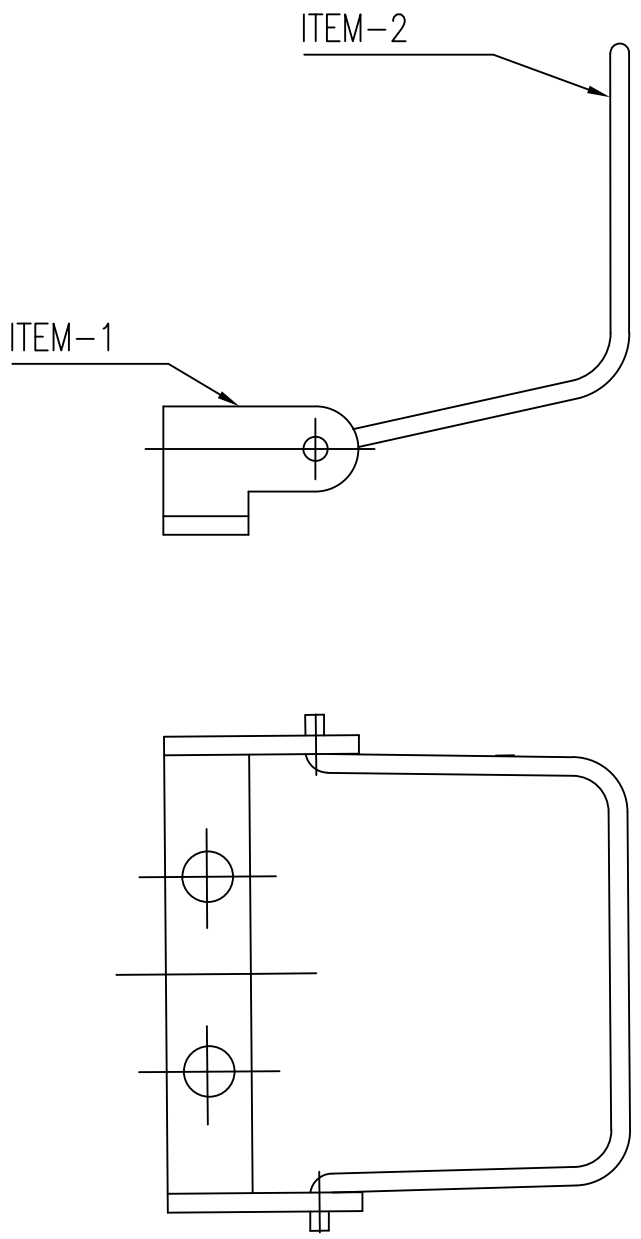


1	2	3	4	5	6	7
CINCH Connectors Ltd. WORKSOP, ENGLAND						
JA		77885	00	000	000	L00
RELEVANT SPEC. SHEET 1 OF 1						
CAD No. G:JA77885 \						
IF IN DOUBT - ASK ALL DIMENSIONS ARE IN mm						

**ROHS COMPLIANT**



CUSTOMER DRAWING ONLY.

THIS DRAWING IS COPYRIGHT AND IS ISSUED ON CONDITION IT IS NOT COPIED, REPRODUCED OR DISCLOSED TO A THIRD PARTY WITHOUT THE CONSENT IN WRITING OF CINCH CONNECTORS LTD. ATTENTION IS DRAWN TO THE FACT THAT THE ARTICLE DISCLOSED MAY BE COVERED BY BRITISH OR FOREIGN PATENTS, GRANTED OR PENDING OR REGISTERED DESIGN.																			
APP'D				TITLE															
DATE		MOD No.		ISSUE		<table border="1" style="width:100%; border-collapse: collapse;"> <tr> <td style="width:12.5%; font-size: 8px;">A</td> <td style="width:12.5%; font-size: 8px;">CUST ISS</td> <td style="width:12.5%; font-size: 8px;">15.01.54</td> <td style="width:12.5%; font-size: 8px;">□</td> <td style="width:12.5%; font-size: 8px;">R3262</td> <td style="width:12.5%; font-size: 8px;">26.04.57</td> <td style="width:12.5%; font-size: 8px;">C</td> <td style="width:12.5%; font-size: 8px;">D17159</td> <td style="width:12.5%; font-size: 8px;">12.09.13</td> </tr> </table>		A	CUST ISS	15.01.54	□	R3262	26.04.57	C	D17159	12.09.13			
A	CUST ISS	15.01.54	□	R3262	26.04.57			C	D17159	12.09.13									
No. OFF		FINISH		No. APP'D				<table border="1" style="width:100%; border-collapse: collapse;"> <tr> <td style="width:12.5%; font-size: 8px;">DRN.</td> <td style="width:12.5%; font-size: 8px;">J.MARBLEY</td> <td style="width:12.5%; font-size: 8px;">DATE</td> <td style="width:12.5%; font-size: 8px;">12.09.13</td> <td style="width:12.5%; font-size: 8px;">SCALE</td> <td style="width:12.5%; font-size: 8px;">CHD .J.M</td> </tr> <tr> <td colspan="3" style="font-size: 8px;">MATERIAL SPEC.</td> <td colspan="3" style="font-size: 8px;">APP'D</td> </tr> </table>		DRN.	J.MARBLEY	DATE	12.09.13	SCALE	CHD .J.M	MATERIAL SPEC.			APP'D
DRN.	J.MARBLEY	DATE	12.09.13	SCALE	CHD .J.M														
MATERIAL SPEC.			APP'D																
DESCRIPTION		FINISHED HARDNESS		FINISH TREATMENT		FINISHED COLOUR													
CODE		1 <sub>T</sub> E <sub>M</sub>		12 WAY BRACKET AND SPRING CLIP ASSY															