

Connector set - HC-EVO-B10PT-BWSC-HL-M25ELC-AL - 1411491


Please be informed that the data shown in this PDF Document is generated from our Online Catalog. Please find the complete data in the user's documentation. Our General Terms of Use for Downloads are valid (<http://phoenixcontact.com/download>)



EVO connector set, B10 series, metal housing, consisting of sleeve housing 1411456, panel mounting base 1411321, EVO screw connection 1411446, push-in contact inserts: 1407729, 1407730



Key Commercial Data

Packing unit	1 pc
GTIN	 4 046356 932912
GTIN	4046356932912

Technical data

General

Number of positions	10+PE
Type	B10
Connection method	Push-in connection
Cable outlet	straight
	lateral
Degree of protection for housing	IP66
	IP67
	4 (UL 50e)
	4X (UL 50e)
	12 (UL 50e)
Connection method	Push-in connection
Rated voltage (III/3)	500 V
Rated surge voltage	6 kV
Rated current	16 A
Conductor cross section	0.14 mm ² ... 2.5 mm ² (with ferrule)
Connection cross section AWG	26 ... 14
External cable diameter	11 mm ... 16 mm

Connector set - HC-EVO-B10PT-BWSC-HL-M25ELC-AL - 1411491

Technical data

General

Ambient temperature (operation)	-40 °C ... 100 °C
Length of the assembly cutout	65 mm
Width of the assembly cutout	35 mm
Housing material	Die-cast aluminum, corrosion resistant
Contact carrier material	PA
Locking latch material	PA
Integrated protective cover	Yes

Standards and Regulations

Flammability rating according to UL 94	V0
--	----

Environmental Product Compliance

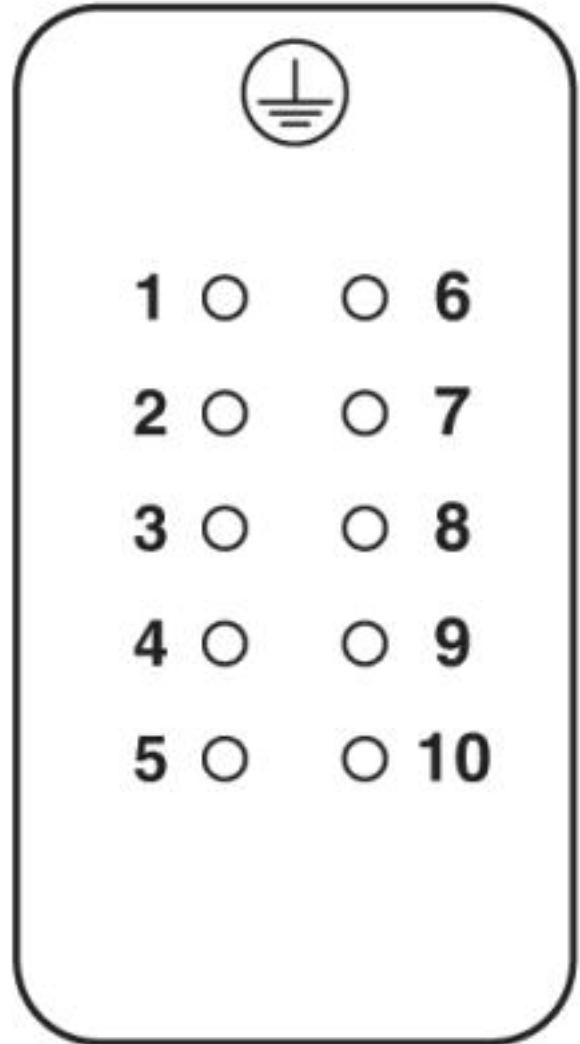
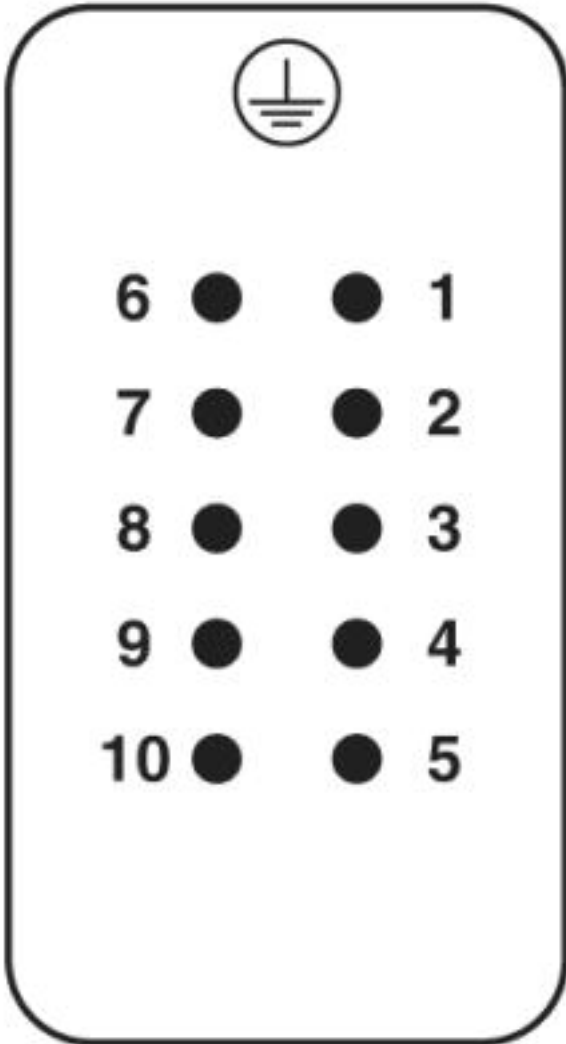
	Lead 7439-92-1
--	----------------

Drawings

Connector set - HC-EVO-B10PT-BWSC-HL-M25ELC-AL - 1411491

Schematic diagram

Schematic diagram

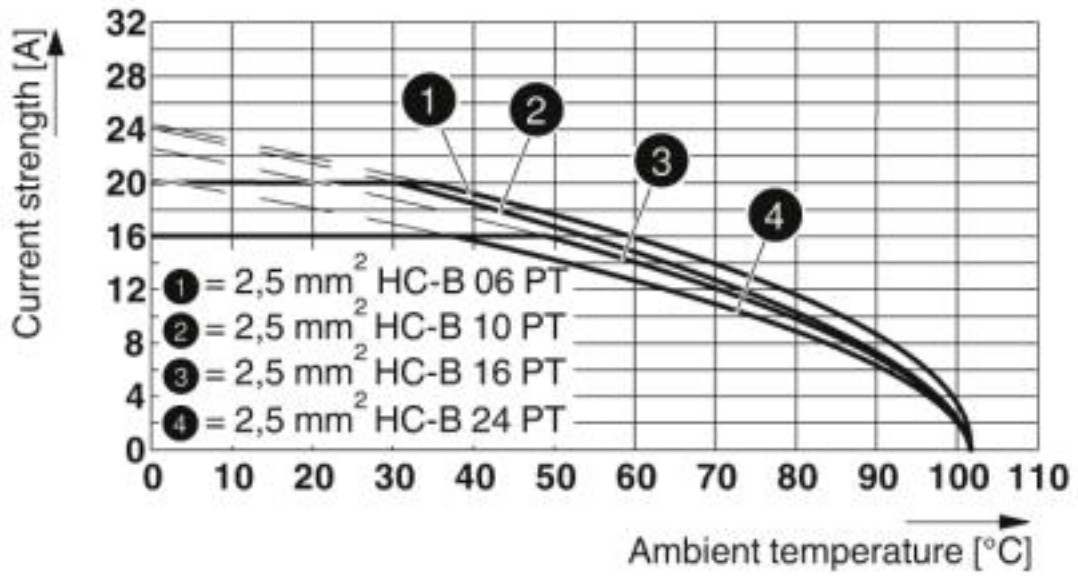


Pin assignment, connection side, pin

Pin assignment, connection side, socket

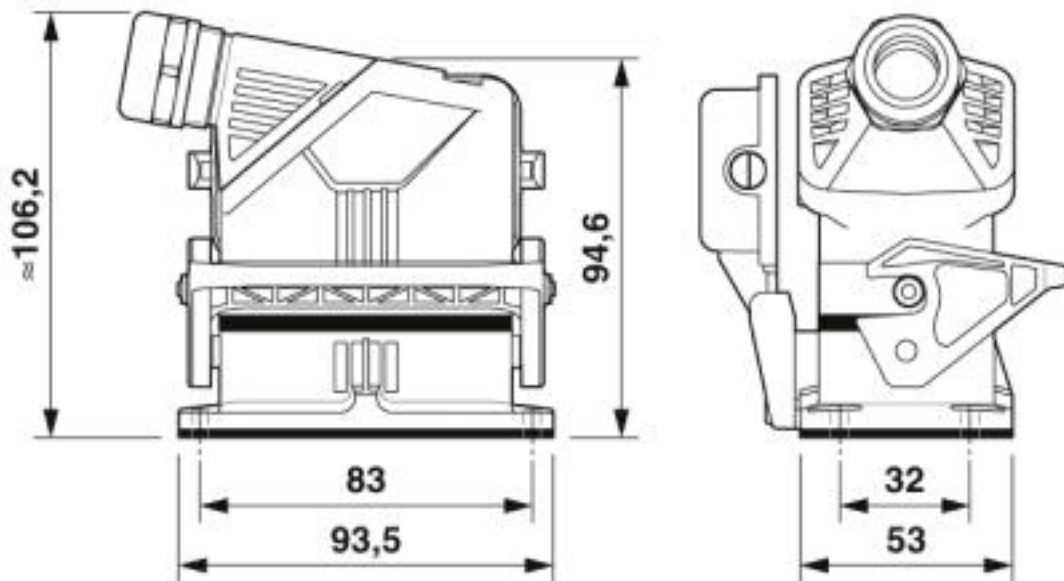
Connector set - HC-EVO-B10PT-BWSC-HL-M25ELC-AL - 1411491

Diagram



Derating diagram

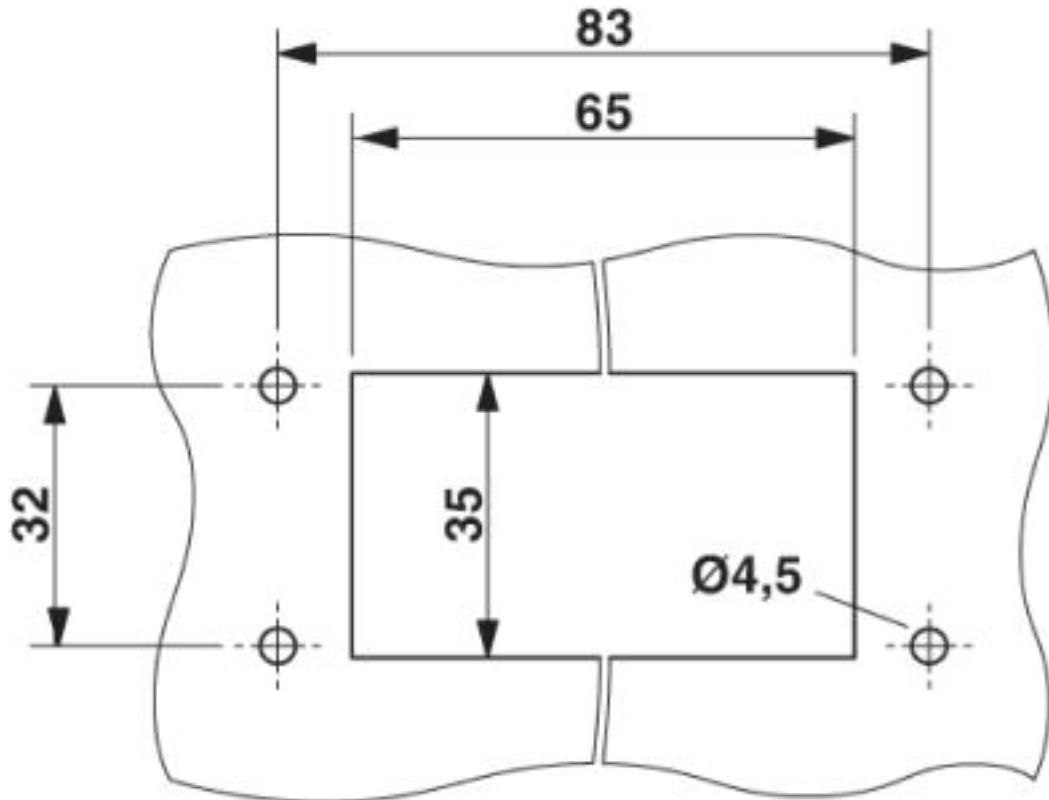
Dimensional drawing



Dimensional drawing

Connector set - HC-EVO-B10PT-BWSC-HL-M25ELC-AL - 1411491

Dimensional drawing



Mounting cutout

Articles in set

Contact insert - HC-B10-I-PT-F - 1407729



HEAVYCON socket insert, B10 series, 10 + PE-pos., push-in connection

Contact insert - HC-B10-I-PT-M - 1407730



HEAVYCON pin insert, B10 series, 10 + PE-pos., push-in connection

Connector set - HC-EVO-B10PT-BWSC-HL-M25ELC-AL - 1411491

Articles in set

Housing - HC-EVO-B10-HLFS-EL-AL - 1411456



HEAVYCON EVO sleeve housing, EMC version, without powder coating, with bayonet flange for EVO screw connection, B10, for single locking latch, height: 64 mm, without EVO screw connection.

Housing - HC-STA-B10-BWSC-ELC-AL - 1411321



HEAVYCON panel mounting base, B10, with single locking latch, with plastic protective cover, with flat gasket, salt-water-resistant aluminum, conductive profile gasket.

Cable gland - HC-B-G-M25-EC-AL - 1411446



EVO EMC cable gland with bayonet locking, B series, size M25, cable diameter: 11 - 16 mm

Approvals

Approvals

Approvals

EAC / DNV GL

Ex Approvals

Approval details

EAC		RU C-DE.AI30.B.01102
-----	--	----------------------

DNV GL		https://approvalfinder.dnvgl.com/	TAE000037S
--------	--	---	------------

Phoenix Contact 2019 © - all rights reserved
<http://www.phoenixcontact.com>

PHOENIX CONTACT GmbH & Co. KG
Flachsmarktstr. 8
32825 Blomberg
Germany
Tel. +49 5235 300
Fax +49 5235 3 41200
<http://www.phoenixcontact.com>