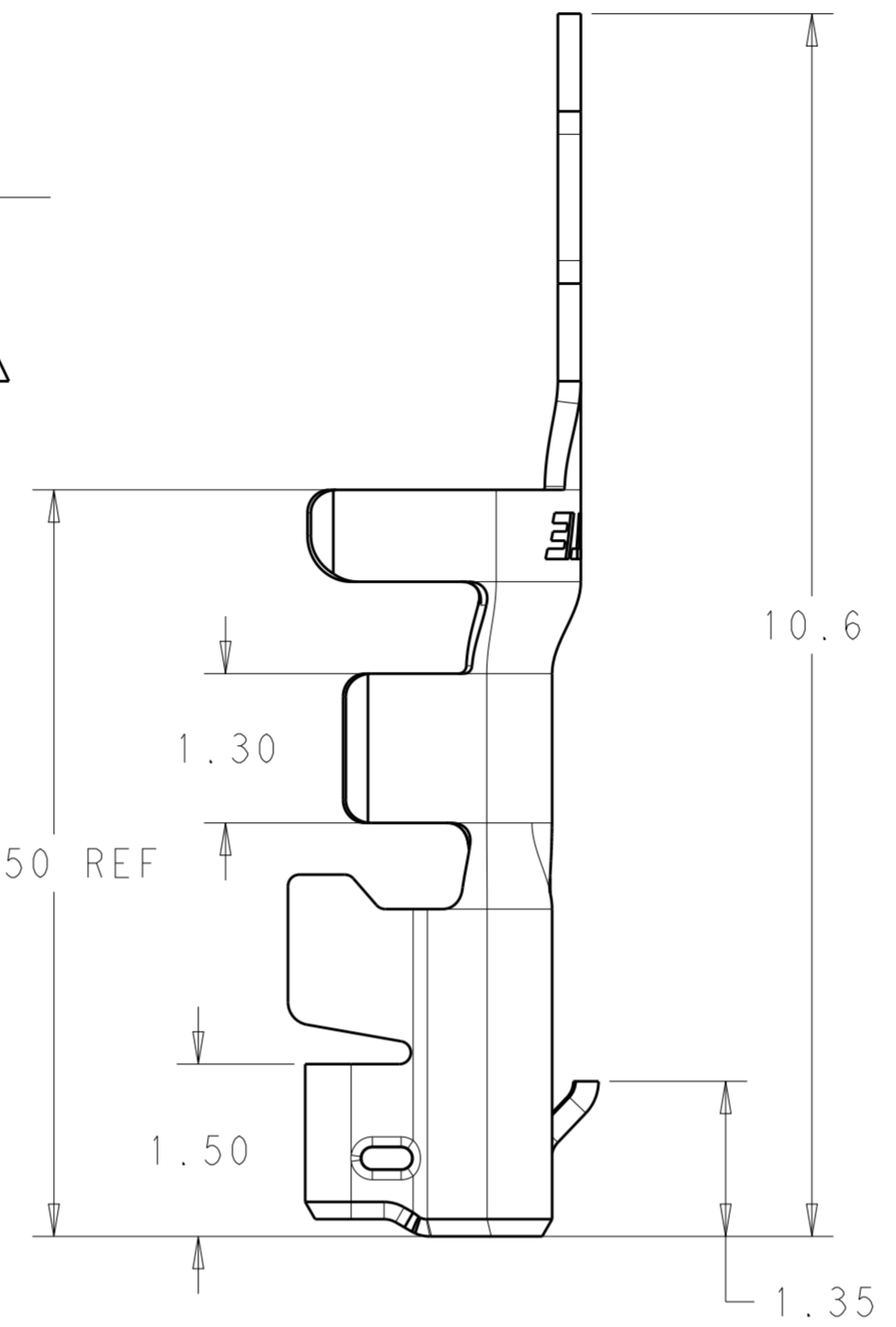
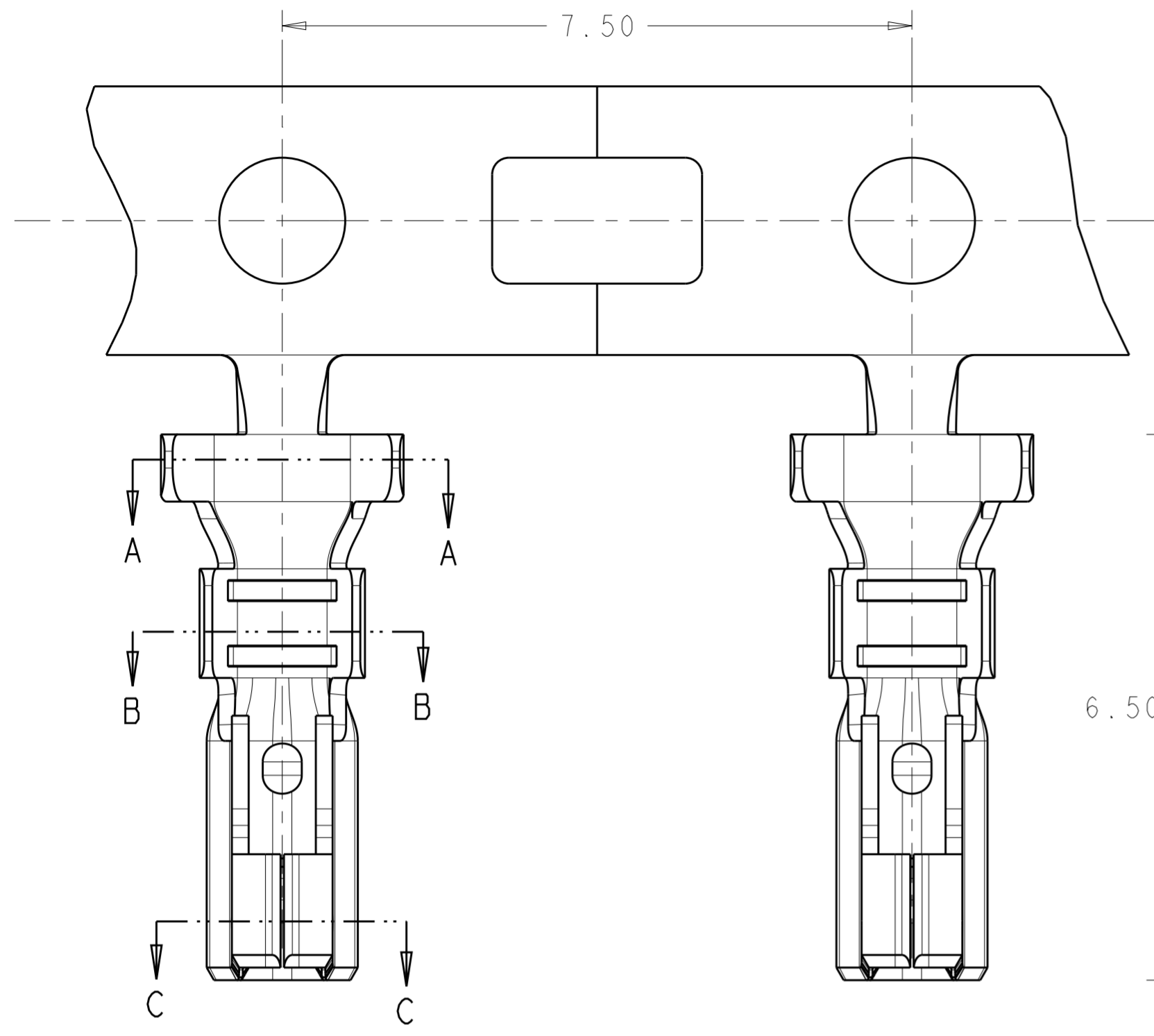
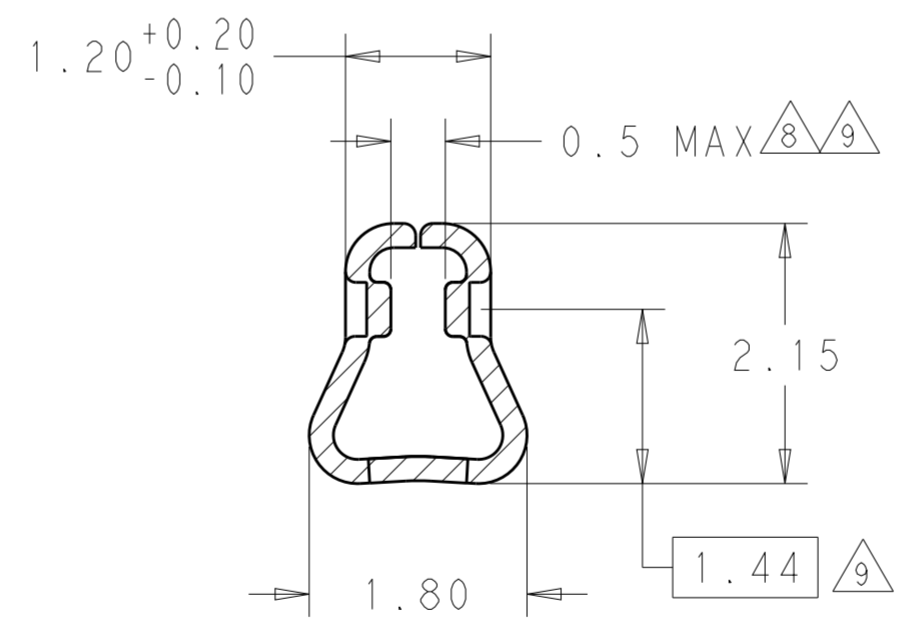
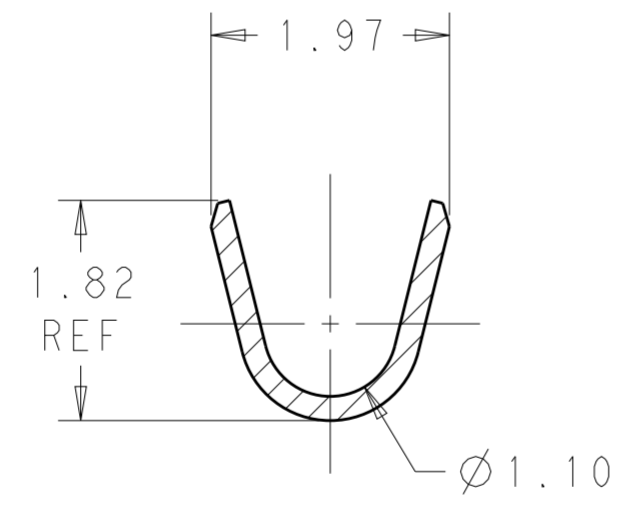
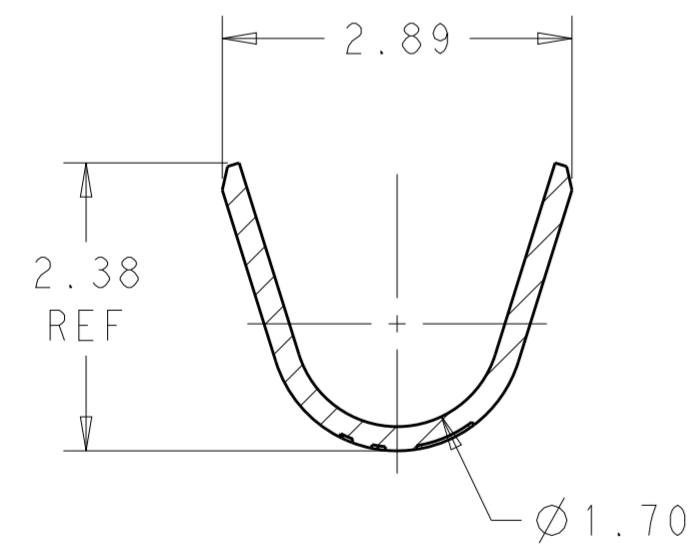
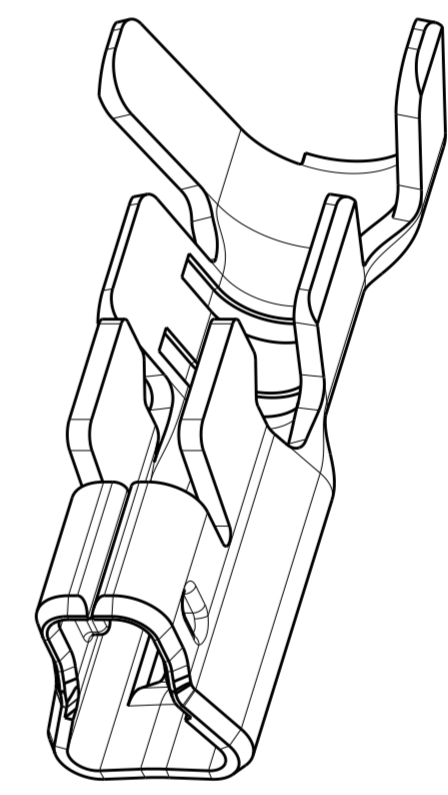


THIS DRAWING IS UNPUBLISHED. RELEASED FOR PUBLICATION 2011  
 © COPYRIGHT 2011 ALL RIGHTS RESERVED.

REVISIONS				
P	LTR	DESCRIPTION	DATE	APVD
C		REVISED PER ECR-19-012801	09JAN2020	WH DZ



- 1 MATERIAL: PHOSPHOR BRONZE
- 2 FINISH: PRE-TIN
- 3. DESIGNED FOR USE IN HOUSINGS [ ]-1969442-[ ] OR [ ]-1744417-[ ].
- 4. CONTACTS COATED WITH ANTI-FRETTING LUBRICANT.
- 5. CONTACT IS RoHS COMPLIANT.
- 6. WIRE RANGE: 0.20-0.56mm2 [24-20 AWG] STRANDED.
- 7. INSULATION RANGE: 1.3-1.9mm
- 8 AFTER CRIMP DIMENSION
- 9 MEASURE LOCATION FOR 0.50mm MAX DIMENSION



SECTION A-A

SECTION B-B

SECTION C-C

1744423-1  
 PART NUMBER

THIS DRAWING IS A CONTROLLED DOCUMENT.		DWN KIRAN HOLAL 27DEC2011	TE Connectivity	
DIMENSIONS: mm		CHK SAMUEL MACE 27DEC2011		
TOLERANCES UNLESS OTHERWISE SPECIFIED:		APVD SAMUEL MACE 27DEC2011	NAME CONTACT, ECONOMY POWER 2.5 RECEPTACLE	
0 PLC ± 1 PLC ±0.5 2 PLC ±0.30 3 PLC ± 4 PLC ± ANGLES ±1° FINISH		PRODUCT SPEC 108-2418	SIZE A200779	
MATERIAL		APPLICATION SPEC 114-13315	DRAWING NO C-1744423	
1		WEIGHT -	RESTRICTED TO -	
2		Customer Drawing	SCALE N/A SHEET 1 OF 1 REV C	