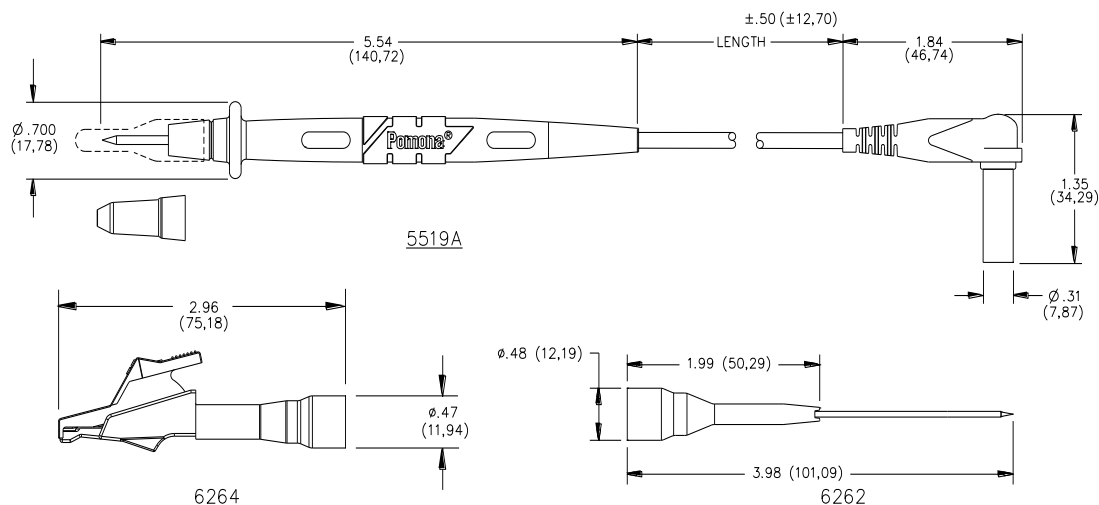
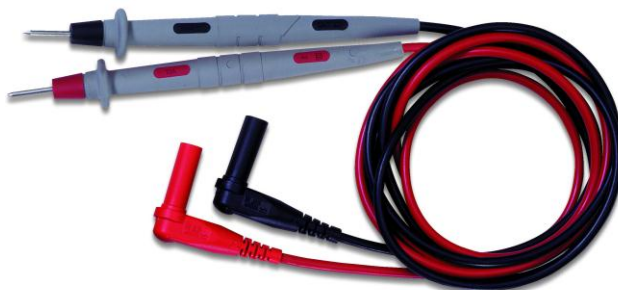


Model 6343 Basic Electronic Test Lead Kit



FEATURES:

- Test accessories comply with IEC 61010-031.
- Test probes with a right-angle banana plug are ideal for use with hand held digital multimeter.
- Extended slide on tip adapter fits directly over probe, allowing testing of hard to reach test points.
- Wear indication with double insulated (dual extruded) silicone leads shows white inner layer for increased safety.
- Compatible with most Fluke, H.P., Tektronic & Wavetek digital multimeters.



MATERIALS:

Model 5519A: Replacement Probes with Test Leads for Sheathed Style DMM's: Probe Body: Outer Insulation - Santoprene® Rubber, Color: Gray, Inner Insulation - Polypropylene, Fire Retardant Color: One Black, One Red, Tip: Nickel plated brass, Wire: 18 AWG, 192 x 41 bare copper, Silicone Insulation, O.D. 0.144" (3,66mm), Length: 48" (122cm), Banana Plug: Body - Brass, Nickel Plated, Spring - Beryllium Copper, Nickel Plated, Insulation - PVC, Color: One Black, One Red. **RATINGS:** IEC 61010-031, CAT III 1000 V (with protective cap), CAT II 1000 V (without protective cap). Current: 10 Amperes.

Model 6264: Alligator Clip Adapter, Body - Steel, Nickel Plated, Insulation - Polypropylene Spring: Music Wire, **RATINGS:** IEC 61010-031, Category II, 300 VRMS/DC, Current: 5 Amperes.

Model 6262: Extended Tip Adapter, Body: Polypropylene, Tip: Stainless Steel, Insulation: Kynar. **RATINGS:** IEC 61010-031, Category II, 300 VRMS/DC, Current: 3 Amperes.

ORDERING INFORMATION: Model 6343 (Includes a kit of items from above)

Replacement P/N's:

- Model **6264:** Probe Adapter Alligator Tip
- Model **6262:** Probe Adapter Extended Fine Tip
- Model **5519A:** Probe to Right Angle DMM Plug

USA: Sales: 800-490-2361
Technical Support: technicalsupport@pomonatest.com
Fax: 425-446-5844

Europe: 31-(0) 40 2675 150 **International:** 425-446-5500

Where to Buy: www.pomonaelectronics.com

All dimensions are in inches. Tolerances (except noted): .xx = $\pm .02$ " (.51 mm), .xxx = $\pm .005$ " (.127 mm). All specifications are to the latest revisions. Specifications are subject to change without notice. Registered trademarks are the property of their respective companies.