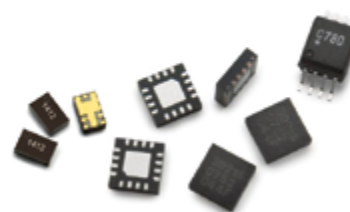


The Avago Advantage



Applications Solutions

## Avago Technologies Solutions for **Smart Meters**

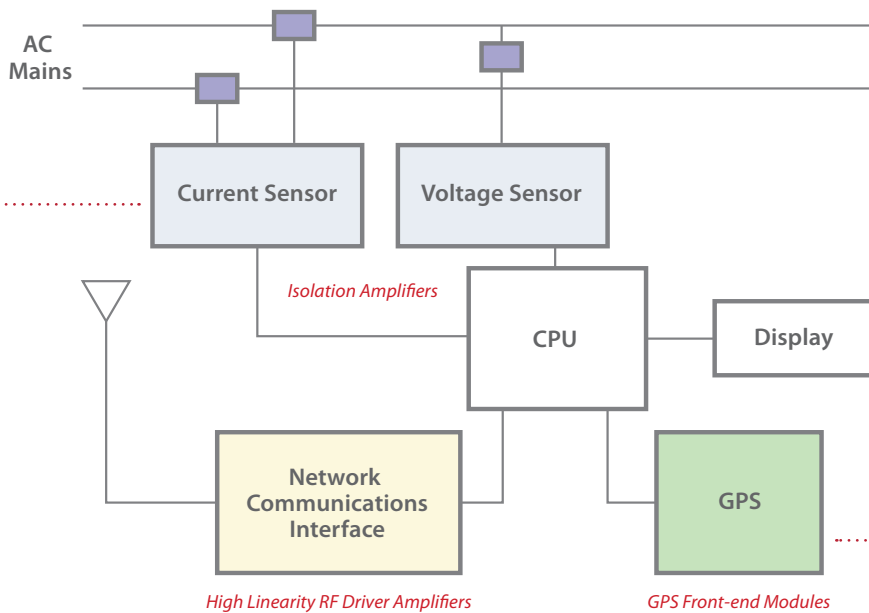


Your Imagination, Our Innovation  
*Sense • Illuminate • Connect*

## Avago Technologies Solutions for **Smart Meters**

Smart meters provide a remote read-out of consumption information in real time and allow utilities and consumers to better track usage. The objective is to modify consumption patterns as well as enabling real-time pricing and demand management.

Avago offers products that allow measurement of voltage and current conditions, help interface the smart meter to a variety of RF communications standards, and allow the integration of GPS capability into the meter for precise time and location measurements.



### Isolation Amplifiers

Avago isolation amplifier optocouplers provide high precision, stability, and common mode rejection for current and voltage sensing applications without compromising high noise or magnetic field immunity.

#### Featured Products

- Miniature Isolation Amplifiers
- Optically Isolated Sigma-Delta Modulator (External clock) with Digital Output

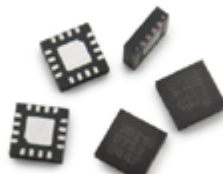


### High Linearity RF Driver Amps

Avago driver amps have very high linearity, low power consumption, and are easy-to-use with pre-matched and fully matched designs. They deliver uniformly high gain across major frequency bands suitable for smart meter applications including the WiMAX, WiFi, Bluetooth, and Zigbee bands, as well as proprietary standards from 450MHz to 2.4GHz.

#### Featured Products

- High Linearity 0.5W Driver Amp
- High Linearity 1W Driver Amp
- High Linearity 2W Driver Amp
- High Linearity Power Amplifier (700-800MHz & 2300-2700MHz)
- Linear Power Amplifier (WiFi and WiMAX)



### GPS Front-End Modules

Avago Technologies integrated GPS amplifier/front-end modules make it easy to integrate GPS capability into any smart meter system for accurate position and time measurement.

#### Featured Products

- GPS low-noise amplifier/front-end module



# Your Imagination. Our Innovation



Avago Technologies is a leading designer, developer and global supplier of a broad range of analog, mixed signal and optoelectronics components and subsystems with a focus in III-V compound semiconductor design and processing. Backed by an extensive portfolio of intellectual property, Avago products serve three primary target markets: wireless communications, wired infrastructure, and industrial and other. Avago has a global employee presence and heritage of technical innovation dating back 50 years to its Hewlett-Packard roots.

## Avago products serve three diverse end markets

**Wireless Communications** serving the smartphone/handset and Base Station infrastructure markets with leading-edge products that include:

- Power Amplifiers
- Front End Modules
- Film Bulk Acoustic Resonator (FBAR) Filters
- GPS/GLONASS LNAs
- Optical Finger Navigation
- LED Backlighting, Screen Illumination
- Ambient Light and Proximity Sensors

**Wired Infrastructure** for switches/routers, data centers, supercomputers and storage/servers with products that include:

- 168Gb Parallel Optic Arrays
- 28Gb SerDes ASICs in 28nm
- Storage Fibre Channel Transceivers
- QSFP+/SFP+ Ethernet Transceivers

**Industrial and Other** for alternative energy power generation, electronic sign and signals, automated manufacturing, automotive lighting, GPS/GLONASS navigation, motor inverter system, battery charging and management, infotainment systems and vehicle safety systems with products that include:

- Inverters
- Isolation and Digital Optocouplers
- Motion Control Optical & Magnetic Encoders
- Polymer Optical Fiber
- Indicator and Display LEDs



Contact us for your design needs at: [www.avagotech.com](http://www.avagotech.com)

Avago, Avago Technologies, and the A logo are trademarks of Avago Technologies in the United States and other countries. Data subject to change. Copyright © 2013 Avago Technologies AV00-0243EN 9/17/13