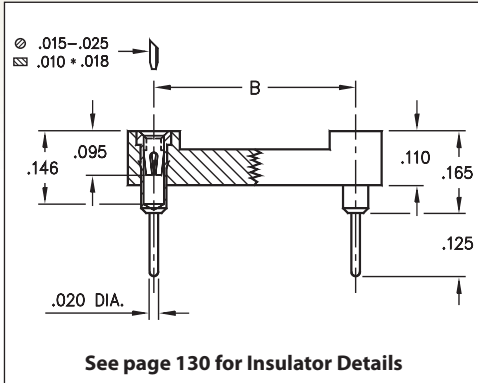
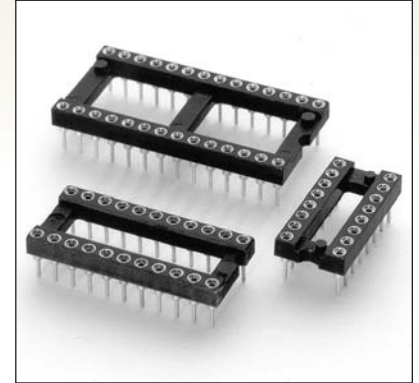


DUAL-IN-LINE SOCKETS

SERIES 110...001 • STANDARD SOLDER TAIL • OPEN FRAME



- All DIP sockets accept .015" - .025" diameter and standard IC leads
- Hi-Rel, 4-finger BeCu #30 contact is rated at 3 amps. See page 253 for details
- Series 110 uses MM #1001 pins. See page 165 for details
- Insulators are high temperature thermoplastic, suitable for all soldering operations
- For Electrical, Mechanical and Environmental Data, see page 264 for details



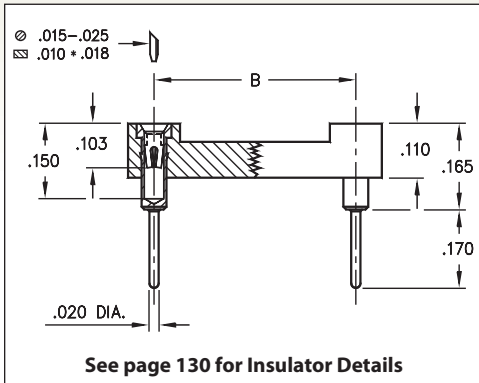
Total number of pins	Pin Spacing			Quantity per tube	ORDERING INFORMATION								
	A	B	C										
10	0.5	0.2	0.3	40	110-XX-210-41-001000								
4	0.2	0.3	0.4	102									
6	0.3	0.3	0.4	67	110-XX-304-41-001000								
8	0.4	0.3	0.4	50									
10	0.5	0.3	0.4	40	110-XX-306-41-001000								
14	0.7	0.3	0.4	28									
16	0.8	0.3	0.4	25	110-XX-308-41-001000								
18	0.9	0.3	0.4	22									
20	1.0	0.3	0.4	20	110-XX-310-41-001000								
22	1.1	0.3	0.4	18									
24	1.2	0.3	0.4	16	110-XX-314-41-001000								
28	1.4	0.3	0.4	14									
20	1.0	0.4	0.5	20	110-XX-316-41-001000								
22	1.1	0.4	0.5	18									
24	1.2	0.4	0.5	16	110-XX-318-41-001000								
28	1.4	0.4	0.5	14									
32	1.6	0.4	0.5	12	110-XX-320-41-001000								
24	1.2	0.6	0.7	16									
28	1.4	0.6	0.7	14	110-XX-322-41-001000								
32	1.6	0.6	0.7	12									
36	1.8	0.6	0.7	11	110-XX-324-41-001000								
40	2.0	0.6	0.7	10									
42	2.1	0.6	0.7	9	110-XX-328-41-001000								
48	2.4	0.6	0.7	8									
50	2.5	0.6	0.7	8	110-XX-420-41-001000								
52	2.6	0.6	0.7	7									
50	2.5	0.9	1.0	8	110-XX-422-41-001000								
52	2.6	0.9	1.0	7									
64	3.2	0.9	1.0	6	110-XX-424-41-001000								
					110-XX-428-41-001000								
					110-XX-432-41-001000								
					110-XX-624-41-001000								
					110-XX-628-41-001000								
					110-XX-632-41-001000								
					110-XX-636-41-001000								
					110-XX-640-41-001000								
					110-XX-642-41-001000								
					110-XX-648-41-001000								
					110-XX-650-41-001000								
					110-XX-652-41-001000								
					110-XX-950-41-001000								
					110-XX-952-41-001000								
					110-XX-964-41-001000								

XX=Plating Code
See Below

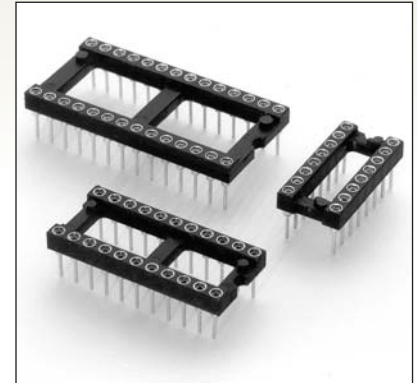


DUAL-IN-LINE SOCKETS

SERIES 111 • LONG SOLDER TAIL FOR MULTI-LAYER PCB • OPEN FRAME



- DIP sockets with increased solder tail length of .170", allowing application on multi-layer PCBs up to .139" thick
- Hi-Rel, 4-finger BeCu #30 contact is rated at 3 amps. See page 253 for details
- Series 111 uses MM #0134 pins. See page 165 for details
- Insulators are high temperature thermoplastic, suitable for all soldering operations
- For Electrical, Mechanical and Environmental Data, see page 264 for details



Total number of pins				Quantity per tube	ORDERING INFORMATION			
	A	B	C					
10	0.5	0.2	0.3	40	111-XX-210-41-001000			
4	0.2	0.3	0.4	102	111-XX-304-41-001000			
6	0.3	0.3	0.4	67	111-XX-306-41-001000			
8	0.4	0.3	0.4	50	111-XX-308-41-001000			
10	0.5	0.3	0.4	40	111-XX-310-41-001000			
14	0.7	0.3	0.4	28	111-XX-314-41-001000			
16	0.8	0.3	0.4	25	111-XX-316-41-001000			
18	0.9	0.3	0.4	22	111-XX-318-41-001000			
20	1.0	0.3	0.4	20	111-XX-320-41-001000			
22	1.1	0.3	0.4	18	111-XX-322-41-001000			
24	1.2	0.3	0.4	16	111-XX-324-41-001000			
28	1.4	0.3	0.4	14	111-XX-328-41-001000			
20	1.0	0.4	0.5	20	111-XX-420-41-001000			
22	1.1	0.4	0.5	18	111-XX-422-41-001000			
24	1.2	0.4	0.5	16	111-XX-424-41-001000			
28	1.4	0.4	0.5	14	111-XX-428-41-001000			
32	1.6	0.4	0.5	12	111-XX-432-41-001000			
24	1.2	0.6	0.7	16	111-XX-624-41-001000			
28	1.4	0.6	0.7	14	111-XX-628-41-001000			
32	1.6	0.6	0.7	12	111-XX-632-41-001000			
36	1.8	0.6	0.7	11	111-XX-636-41-001000			
40	2.0	0.6	0.7	10	111-XX-640-41-001000			
42	2.1	0.6	0.7	9	111-XX-642-41-001000			
48	2.4	0.6	0.7	8	111-XX-648-41-001000			
50	2.5	0.6	0.7	8	111-XX-650-41-001000			
52	2.6	0.6	0.7	7	111-XX-652-41-001000			
50	2.5	0.9	1.0	8	111-XX-950-41-001000			
52	2.6	0.9	1.0	7	111-XX-952-41-001000			
64	3.2	0.9	1.0	6	111-XX-964-41-001000			
SPECIFY PLATING CODE XX =					91	93	41	43
Sleeve (Pin)					200 μ" Sn/Pb	200 μ" Sn/Pb	200 μ" Sn	200 μ" Sn
Contact (Clip)					10 μ" Au	30 μ" Au	10 μ" Au	30 μ" Au

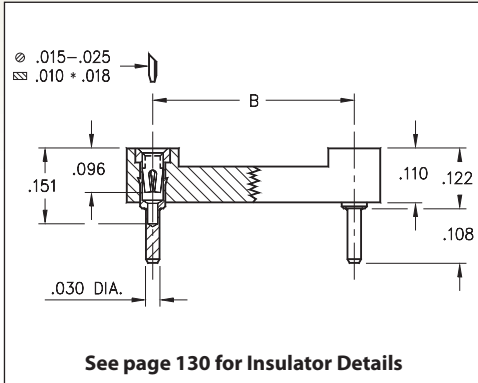
XX=Plating Code
See Below

RoHS-2
2011/65/EU

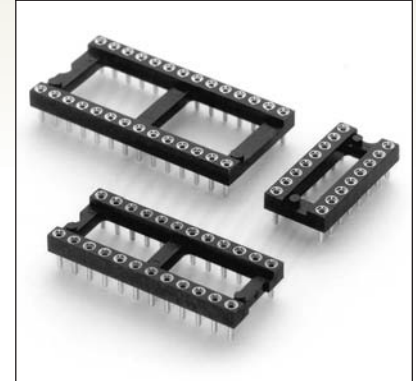


DUAL-IN-LINE SOCKETS

SERIES 115...001 • VERY LOW PROFILE • OPEN FRAME



- Low profile DIP socket, sits only .122" above the PCB
- Hi-Rel, 4-finger BeCu #30 contact is rated at 3 amps. See page 253 for details
- Series 115 uses MM #0501 pins. See page 162 for details
- Insulators are high temperature thermoplastic, suitable for all soldering operations
- For Electrical, Mechanical and Environmental Data, see page 264 for details



Total number of pins	Pin Pitch Dimensions (mm)			Quantity per tube	ORDERING INFORMATION					
	A	B	C							
10	0.5	0.2	0.3	41	115-XX-210-41-001000					
4	0.2	0.3	0.4	102	115-XX-304-41-001000					
6	0.3	0.3	0.4	67	115-XX-306-41-001000					
8	0.4	0.3	0.4	50	115-XX-308-41-001000					
10	0.5	0.3	0.4	40	115-XX-310-41-001000					
14	0.7	0.3	0.4	28	115-XX-314-41-001000					
16	0.8	0.3	0.4	25	115-XX-316-41-001000					
18	0.9	0.3	0.4	22	115-XX-318-41-001000					
20	1.0	0.3	0.4	20	115-XX-320-41-001000					
22	1.1	0.3	0.4	18	115-XX-322-41-001000					
24	1.2	0.3	0.4	16	115-XX-324-41-001000					
28	1.4	0.3	0.4	14	115-XX-328-41-001000					
20	1.0	0.4	0.5	20	115-XX-420-41-001000					
22	1.1	0.4	0.5	18	115-XX-422-41-001000					
24	1.2	0.4	0.5	16	115-XX-424-41-001000					
28	1.4	0.4	0.5	14	115-XX-428-41-001000					
32	1.6	0.4	0.5	12	115-XX-432-41-001000					
24	1.2	0.6	0.7	16	115-XX-624-41-001000					
28	1.4	0.6	0.7	14	115-XX-628-41-001000					
32	1.6	0.6	0.7	12	115-XX-632-41-001000					
36	1.8	0.6	0.7	11	115-XX-636-41-001000					
40	2.0	0.6	0.7	10	115-XX-640-41-001000					
42	2.1	0.6	0.7	9	115-XX-642-41-001000					
48	2.4	0.6	0.7	8	115-XX-648-41-001000					
50	2.5	0.6	0.7	8	115-XX-650-41-001000					
52	2.6	0.6	0.7	7	115-XX-652-41-001000					
50	2.5	0.9	1.0	8	115-XX-950-41-001000					
52	2.6	0.9	1.0	7	115-XX-952-41-001000					
64	3.2	0.9	1.0	6	115-XX-964-41-001000					

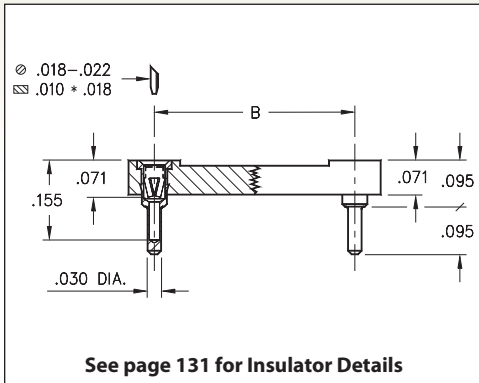
XX=Plating Code See Below

SPECIFY PLATING CODE XX =	91	93	41	43
Sleeve (Pin)	200 μ" Sn/Pb	200 μ" Sn/Pb	200 μ" Sn	200 μ" Sn
Contact (Clip)	10 μ" Au	30 μ" Au	10 μ" Au	30 μ" Au

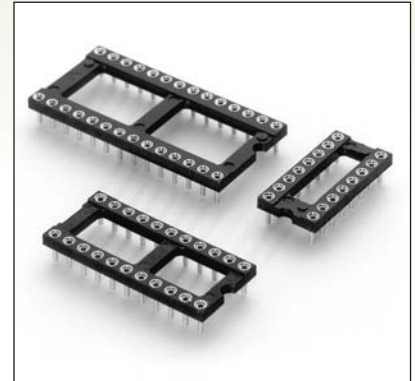
RoHS-2 2011/65/EU

DUAL-IN-LINE SOCKETS

SERIES 115...003 • ULTRA LOW PROFILE • OPEN FRAME



- Our lowest profile DIP socket with an above PCB height of only .095"
- Special short Hi-Rel, 4-finger BeCu #12 contact is rated at 3 amps. See page 252 for details
- Series 115 uses MM #1534 pins. See page 161 for details
- Insulators are high temperature thermoplastic, suitable for all soldering operations
- For Electrical, Mechanical and Environmental Data, see page 264 for details



ORDERING INFORMATION

Total number of pins				Quantity per tube	
	A	B	C		
6	0.3	0.3	0.4	68	115-XX-306-41-003000
8	0.4	0.3	0.4	50	115-XX-308-41-003000
14	0.7	0.3	0.4	28	115-XX-314-41-003000
16	0.8	0.3	0.4	25	115-XX-316-41-003000
18	0.9	0.3	0.4	22	115-XX-318-41-003000
20	1.0	0.3	0.4	20	115-XX-320-41-003000
22	1.1	0.3	0.4	18	115-XX-322-41-003000
24	1.2	0.3	0.4	16	115-XX-324-41-003000
28	1.4	0.3	0.4	14	115-XX-328-41-003000
20	1.0	0.4	0.5	20	115-XX-420-41-003000
22	1.1	0.4	0.5	18	115-XX-422-41-003000
24	1.2	0.4	0.5	16	115-XX-424-41-003000
28	1.4	0.4	0.5	14	115-XX-428-41-003000
24	1.2	0.6	0.7	16	115-XX-624-41-003000
28	1.4	0.6	0.7	14	115-XX-628-41-003000
32	1.6	0.6	0.7	12	115-XX-632-41-003000
36	1.8	0.6	0.7	11	115-XX-636-41-003000
40	2.0	0.6	0.7	10	115-XX-640-41-003000
48	2.4	0.6	0.7	8	115-XX-648-41-003000
50	2.5	0.6	0.7	8	115-XX-650-41-003000

XX=Plating Code
See Below

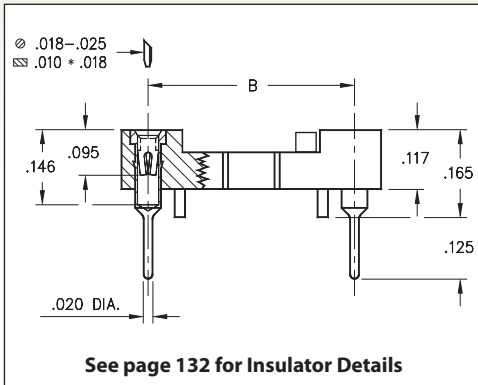


SPECIFY PLATING CODE XX =	91	93	41	43	44
Sleeve (Pin)	200 μ" Sn/Pb	200 μ" Sn/Pb	200 μ" Sn	200 μ" Sn	200 μ" Sn
Contact (Clip)	10 μ" Au	30 μ" Au	10 μ" Au	30 μ" Au	100 μ" Sn

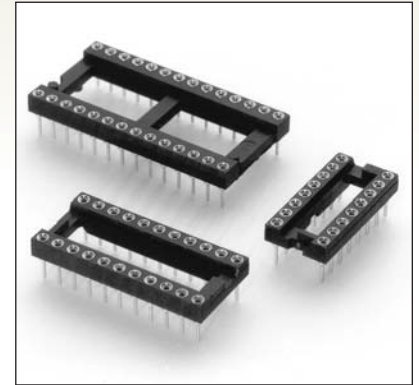


DUAL-IN-LINE SOCKETS

SERIES 110...605 • AUTOMATIC INSERTION • OPEN FRAME



- High temperature thermoplastic insulator with standoffs is compatible with standard automatic insertion equipment and all soldering processes
- Soft copper alloy machined pins allow clinching. Chamfered contact entry allows for ease of IC insertion without bent leads
- Hi-Rel, 4-finger BeCu #30 contact is rated at 3 amps. See page 253 for details
- Series 110 uses MM #1005 pins. See page 166 for details
- For Electrical, Mechanical and Environmental Data, see page 264 for details



Total number of pins				Quantity per tube	ORDERING INFORMATION	
	A	B	C			

Total number of pins	A	B	C	Quantity per tube	ORDERING INFORMATION
6	0.3	0.3	0.4	67	110-XX-306-41-605000
8	0.4	0.3	0.4	50	110-XX-308-41-605000
14	0.7	0.3	0.4	28	110-XX-314-41-605000
16	0.8	0.3	0.4	25	110-XX-316-41-605000
18	0.9	0.3	0.4	22	110-XX-318-41-605000
20	1.0	0.3	0.4	20	110-XX-320-41-605000
24	1.2	0.3	0.4	16	110-XX-324-41-605000
22	1.1	0.4	0.5	18	110-XX-422-41-605000
24	1.2	0.6	0.7	16	110-XX-624-41-605000
28	1.4	0.6	0.7	14	110-XX-628-41-605000
32	1.6	0.6	0.7	12	110-XX-632-41-605000
40	2.0	0.6	0.7	10	110-XX-640-41-605000

XX=Plating Code
See Below

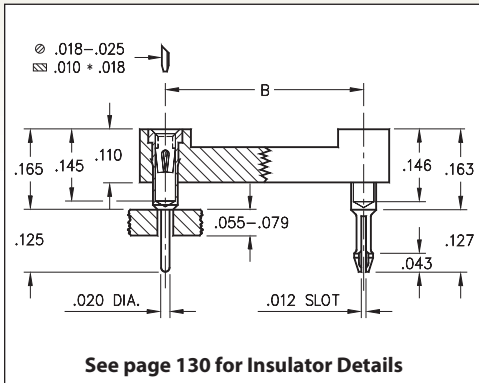


SPECIFY PLATING CODE XX =	91	93	41	43
Sleeve (Pin)	200 μ" Sn/Pb	200 μ" Sn/Pb	200 μ" Sn	200 μ" Sn
Contact (Clip)	10 μ" Au	30 μ" Au	10 μ" Au	30 μ" Au

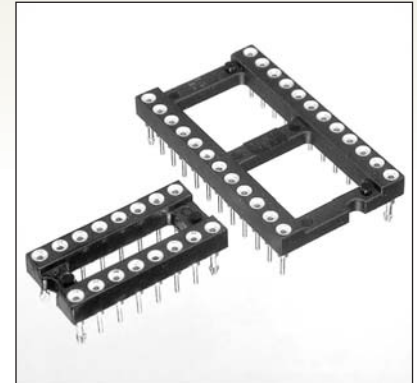


DUAL-IN-LINE SOCKETS

SERIES 101 • CLINCH PIN • OPEN FRAME



- Special lock-down feature prevents floating of socket during soldering. Open insulator with ladder construction
- Socket pins feature closed end construction eliminating any solder wicking problems
- Hi-Rel, 4-finger BeCu #30 contact is rated at 3 amps. See page 253 for details
- Series 101 uses MM #1001 and MM #0156 pins. See page 165 for details
- Insulators are high temperature thermoplastic, suitable for all soldering operations
- For Electrical, Mechanical and Environmental Data, see page 264 for details



ORDERING INFORMATION

Total number of pins	Pin Configuration			Quantity per tube	Part Number
	A	B	C		
6	0.3	0.3	0.4	67	101-93-306-41-56X000
8	0.4	0.3	0.4	50	101-93-308-41-56X000
14	0.7	0.3	0.4	28	101-93-314-41-56X000
16	0.8	0.3	0.4	25	101-93-316-41-56X000
18	0.9	0.3	0.4	22	101-93-318-41-56X000
20	1.0	0.3	0.4	20	101-93-320-41-56X000
24	1.2	0.3	0.4	16	101-93-324-41-56X000
28	1.4	0.3	0.4	14	101-93-328-41-56X000
22	1.1	0.4	0.5	18	101-93-422-41-56X000
24	1.2	0.6	0.7	16	101-93-624-41-56X000
28	1.4	0.6	0.7	14	101-93-628-41-56X000
32	1.6	0.6	0.7	12	101-93-632-41-56X000
40	2.0	0.6	0.7	10	101-93-640-41-56X000
48	2.4	0.6	0.7	8	101-93-648-41-56X000
64	3.2	0.9	1.0	6	101-93-964-41-56X000

Clinch Pins:

Two Opposite Corner Pins **X = 0**

Four Corner Pins **X = 8**

XX=Plating Code
See Below

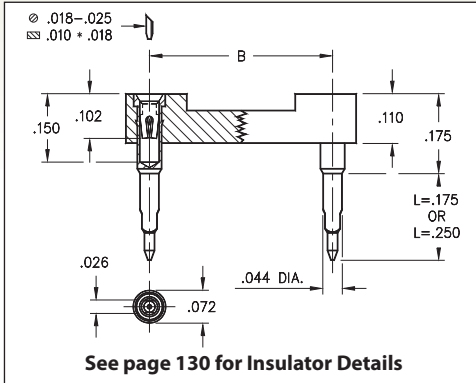


SPECIFY PLATING CODE XX =		93				
Sleeve (Pin)		200 μ" Sn/Pb				
Contact (Clip)		30 μ" Au				

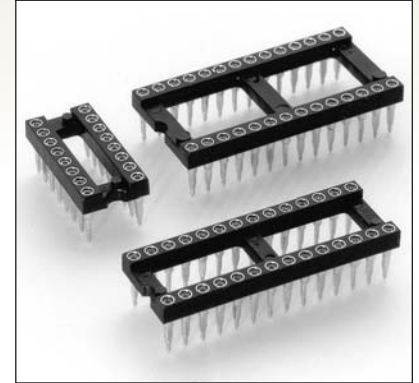


DUAL-IN-LINE SOCKETS

SERIES 104 • SOLDERLESS PRESS-FIT • OPEN FRAME



- Designed for solderless press-fit into plated through-holes
- Pin lengths are suitable for .062" and .093"-.125" thick panels
- Required plated through hole is .036"-.041". Use a 1.1mm drill prior to plating
- Series 104 uses MM #0477 or MM #0478 pins with a BeCu #30 contact, rated at 3 amps. See page 162 for details
- Insulators are high temperature thermoplastic
- For Electrical, Mechanical and Environmental Data, see page 264 for details



Total number of pins				Quantity per tube	ORDERING INFORMATION					
	A	B	C		L = .175 (for .062" thick panel)	L = .250 (for .125" thick panel)				
10	0.5	0.2	0.3	40	104-XX-210-41-770000	104-XX-210-41-780000				
4	0.2	0.3	0.4	102	104-XX-304-41-770000	104-XX-304-41-780000				
6	0.3	0.3	0.4	67	104-XX-306-41-770000	104-XX-306-41-780000				
8	0.4	0.3	0.4	50	104-XX-308-41-770000	104-XX-308-41-780000				
10	0.5	0.3	0.4	40	104-XX-310-41-770000	104-XX-310-41-780000				
14	0.7	0.3	0.4	28	104-XX-314-41-770000	104-XX-314-41-780000				
16	0.8	0.3	0.4	25	104-XX-316-41-770000	104-XX-316-41-780000				
18	0.9	0.3	0.4	22	104-XX-318-41-770000	104-XX-318-41-780000				
20	1.0	0.3	0.4	20	104-XX-320-41-770000	104-XX-320-41-780000				
22	1.1	0.3	0.4	18	104-XX-322-41-770000	104-XX-322-41-780000				
24	1.2	0.3	0.4	16	104-XX-324-41-770000	104-XX-324-41-780000				
28	1.4	0.3	0.4	14	104-XX-328-41-770000	104-XX-328-41-780000				
20	1.0	0.4	0.5	20	104-XX-420-41-770000	104-XX-420-41-780000				
22	1.1	0.4	0.5	18	104-XX-422-41-770000	104-XX-422-41-780000				
24	1.2	0.4	0.5	16	104-XX-424-41-770000	104-XX-424-41-780000				
28	1.4	0.4	0.5	14	104-XX-428-41-770000	104-XX-428-41-780000				
32	1.6	0.4	0.5	12	104-XX-432-41-770000	104-XX-432-41-780000				
24	1.2	0.6	0.7	16	104-XX-624-41-770000	104-XX-624-41-780000				
28	1.4	0.6	0.7	14	104-XX-628-41-770000	104-XX-628-41-780000				
32	1.6	0.6	0.7	12	104-XX-632-41-770000	104-XX-632-41-780000				
36	1.8	0.6	0.7	11	104-XX-636-41-770000	104-XX-636-41-780000				
40	2.0	0.6	0.7	10	104-XX-640-41-770000	104-XX-640-41-780000				
42	2.1	0.6	0.7	9	104-XX-642-41-770000	104-XX-642-41-780000				
48	2.4	0.6	0.7	8	104-XX-648-41-770000	104-XX-648-41-780000				
50	2.5	0.6	0.7	8	104-XX-650-41-770000	104-XX-650-41-780000				
52	2.6	0.6	0.7	7	104-XX-652-41-770000	104-XX-652-41-780000				
50	2.5	0.9	1.0	8	104-XX-950-41-770000	104-XX-950-41-780000				
52	2.6	0.9	1.0	7	104-XX-952-41-770000	104-XX-952-41-780000				
64	3.2	0.9	1.0	6	104-XX-964-41-770000	104-XX-964-41-780000				
SPECIFY PLATING CODE XX =					11	13				
Sleeve (Pin)					10 μ" Au	10 μ" Au				
Contact (Clip)					10 μ" Au	30 μ" Au				

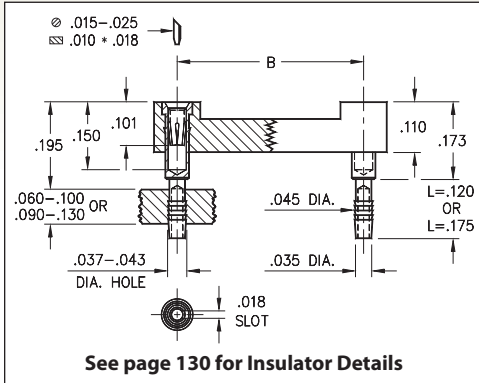


XX=Plating Code
See Below

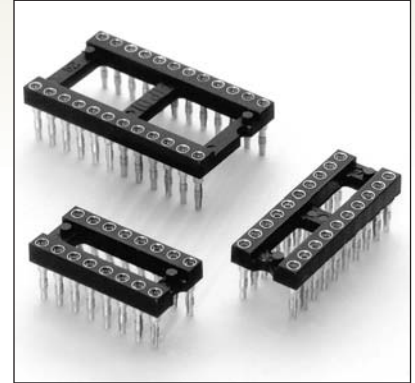


DUAL-IN-LINE SOCKETS

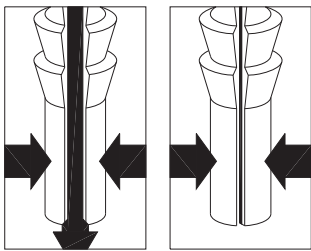
SERIES 146 • SOLDERLESS PRESS-FIT, COMPLIANT TAIL • OPEN FRAME



- Unique compliant tail pins conform to a $.040" \pm .003"$ finished plated through hole diameter without stressing inner layers
- Two tails lengths are offered for $.060"$ - $.100"$ and $.090"$ - $.130"$ thick panels
- Series 146 uses MM #4612 or MM #4613 pins with a BeCu #30 contact, rated at 3 amps. See page 162 for details
- Insulators are high temperature thermoplastic
- For Electrical, Mechanical and Environmental Data, see page 264 for details



APPLICATION OF COMPLIANT TAIL PINS



Mill-Max's patented* precision-machined pins feature compliant tails that are hollow and slotted to conform to a $.040" \pm .003"$ diameter PTH. As the pin is inserted, the slot compresses to fit the PTH, thus avoiding damage (see illustration at left). The pin's tail has fine serrations that form a perfect "gas tight" connection that doesn't require soldering. And since the pin doesn't damage the hole, compliant tail sockets and connectors can be easily replaced.
*Patent No. 4,799,904.

Total number of pins				Quantity per tube	ORDERING INFORMATION			
	A	B	C		L = .120 (for .060"- .100" thick panel)	L = .175 (for .090"- .130" thick panel)		
6	0.3	0.3	0.4	67	146-XX-306-41-012000	146-XX-306-41-013000		
8	0.4	0.3	0.4	50	146-XX-308-41-012000	146-XX-308-41-013000		
14	0.7	0.3	0.4	28	146-XX-314-41-012000	146-XX-314-41-013000		
16	0.8	0.3	0.4	25	146-XX-316-41-012000	146-XX-316-41-013000		
18	0.9	0.3	0.4	22	146-XX-318-41-012000	146-XX-318-41-013000		
20	1.0	0.3	0.4	20	146-XX-320-41-012000	146-XX-320-41-013000		
24	1.2	0.3	0.4	16	146-XX-324-41-012000	146-XX-324-41-013000		
22	1.1	0.4	0.5	18	146-XX-422-41-012000	146-XX-422-41-013000		
24	1.2	0.6	0.7	16	146-XX-624-41-012000	146-XX-624-41-013000		
28	1.4	0.6	0.7	14	146-XX-628-41-012000	146-XX-628-41-013000		
32	1.6	0.6	0.7	12	146-XX-632-41-012000	146-XX-632-41-013000		
40	2.0	0.6	0.7	10	146-XX-640-41-012000	146-XX-640-41-013000		
SPECIFY PLATING CODE XX =					91	93	41	43
Sleeve (Pin)					200 μ " Sn/Pb	200 μ " Sn/Pb	200 μ " Sn	200 μ " Sn
Contact (Clip)					10 μ " Au	30 μ " Au	10 μ " Au	30 μ " Au

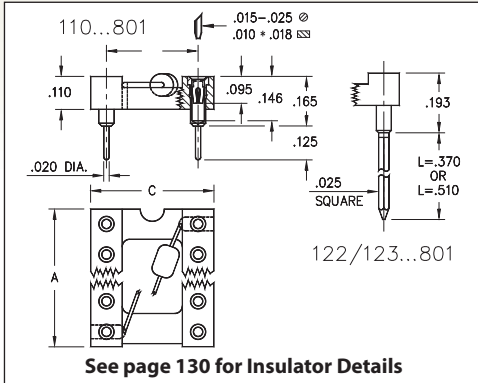


XX=Plating Code
See Below



DUAL-IN-LINE SOCKETS

SERIES 110, 122, 123 • INTEGRAL DECOUPLING CAPACITOR • OPEN FRAME



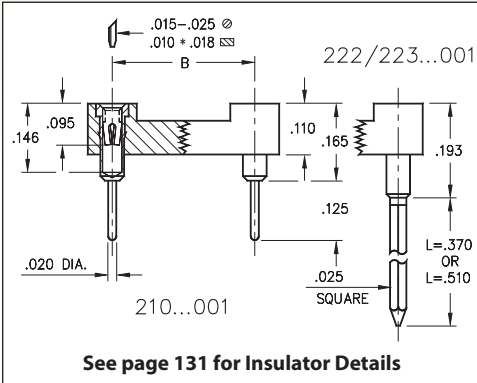
- Low profile DIP sockets w/ integral decoupling capacitor: .1 μ F 20%-50V multi-layer ceramic epoxy encapsulated. Temp. range: -25° C to +85° C
- Hi-Rel, 4-finger BeCu #30 contact is rated at 3 amps. See page 253 for details
- Series 110, 122 and 123 use MM #1001, #0088 or #0089 pins. See pages 165 & 198 for details
- Insulators are high temperature thermoplastic, suitable for all soldering operations
- For Electrical, Mechanical and Environmental Data, see page 264 for details



Total number of pins				Quantity per tube	ORDERING INFORMATION		
	A	B	C		Solder Tail	L = .370 (2 Level Wrappost)	L = .510 (3 Level Wrappost)
14	0.7	0.3	0.4	28	110-XX-314-41-801000	122-XX-314-41-801000	123-XX-314-41-801000
16	0.8	0.3	0.4	25	110-XX-316-41-801000	122-XX-316-41-801000	123-XX-316-41-801000
18	0.9	0.3	0.4	22	110-XX-318-41-801000	122-XX-318-41-801000	123-XX-318-41-801000
20	1.0	0.3	0.4	20	110-XX-320-41-801000	122-XX-320-41-801000	123-XX-320-41-801000
22	1.1	0.3	0.4	18	110-XX-322-41-801000	122-XX-322-41-801000	123-XX-322-41-801000
24	1.2	0.3	0.4	16	110-XX-324-41-801000	122-XX-324-41-801000	123-XX-324-41-801000
28	1.4	0.3	0.4	14	110-XX-328-41-801000	122-XX-328-41-801000	123-XX-328-41-801000
22	1.1	0.4	0.5	18	110-XX-422-41-801000	122-XX-422-41-801000	123-XX-422-41-801000
24	1.2	0.6	0.7	16	110-XX-624-41-801000	122-XX-624-41-801000	123-XX-624-41-801000
28	1.4	0.6	0.7	14	110-XX-628-41-801000	122-XX-628-41-801000	123-XX-628-41-801000
32	1.6	0.6	0.7	12	110-XX-632-41-801000	122-XX-632-41-801000	123-XX-632-41-801000
40	2.0	0.6	0.7	10	110-XX-640-41-801000	122-XX-640-41-801000	123-XX-640-41-801000
 XX=Plating Code See Below							
SPECIFY PLATING CODE XX =					13	93	43
Sleeve (Pin)					10 μ " Au	200 μ " Sn/Pb	200 μ " Sn
Contact (Clip)					30 μ " Au	30 μ " Au	30 μ " Au

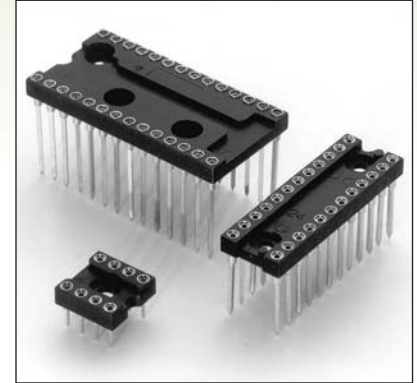
DUAL-IN-LINE SOCKETS

SERIES 210, 222, 223 • SOLDER TAIL AND WRAPOST • CLOSED FRAME



See page 131 for Insulator Details

- Closed frame insulator withstands high mechanical impact
- Available with standard solder pins, 2-level or 3-level wraposts
- Hi-Rel, 4-finger BeCu #30 contact is rated at 3 amps. See page 253 for details
- Series 210, 222 and 223 use MM #1001, #0088 or #0089 pins. See pages 165 & 198 for details
- Insulators are high temperature thermoplastic, suitable for all soldering operations
- For Electrical, Mechanical and Environmental Data, see page 264 for details

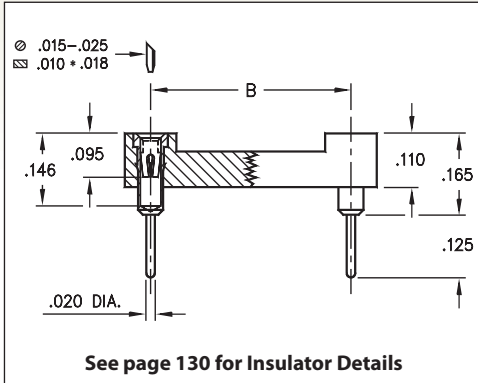


Total number of pins	Quantity per tube			ORDERING INFORMATION										
	A	B	C	Solder Tail	L = .370 (2 Level Wrapost)			L = .510 (3 Level Wrapost)						
6	0.3	0.3	0.4	67	210-XX-306-41-001000	222-XX-306-41-001000	223-XX-306-41-001000							
8	0.4	0.3	0.4	50	210-XX-308-41-001000	222-XX-308-41-001000	223-XX-308-41-001000							
10	0.5	0.3	0.4	40	210-XX-310-41-001000	222-XX-310-41-001000	223-XX-310-41-001000							
14	0.7	0.3	0.4	28	210-XX-314-41-001000	222-XX-314-41-001000	223-XX-314-41-001000							
16	0.8	0.3	0.4	25	210-XX-316-41-001000	222-XX-316-41-001000	223-XX-316-41-001000							
18	0.9	0.3	0.4	22	210-XX-318-41-001000	222-XX-318-41-001000	223-XX-318-41-001000							
20	1.0	0.3	0.4	20	210-XX-320-41-001000	222-XX-320-41-001000	223-XX-320-41-001000							
22	1.1	0.3	0.4	18	210-XX-322-41-001000	222-XX-322-41-001000	223-XX-322-41-001000							
24	1.2	0.3	0.4	16	210-XX-324-41-001000	222-XX-324-41-001000	223-XX-324-41-001000							
22	1.1	0.4	0.5	18	210-XX-422-41-001000	222-XX-422-41-001000	223-XX-422-41-001000							
24	1.2	0.4	0.5	16	210-XX-424-41-001000	222-XX-424-41-001000	223-XX-424-41-001000							
24	1.2	0.6	0.7	16	210-XX-624-41-001000	222-XX-624-41-001000	223-XX-624-41-001000							
28	1.4	0.6	0.7	14	210-XX-628-41-001000	222-XX-628-41-001000	223-XX-628-41-001000							
32	1.6	0.6	0.7	12	210-XX-632-41-001000	222-XX-632-41-001000	223-XX-632-41-001000							
36	1.8	0.6	0.7	11	210-XX-636-41-001000	222-XX-636-41-001000	223-XX-636-41-001000							
40	2.0	0.6	0.7	10	210-XX-640-41-001000	222-XX-640-41-001000	223-XX-640-41-001000							
64	3.2	0.9	1.0	6	210-XX-964-41-001000	222-XX-964-41-001000	223-XX-964-41-001000							
					XX=Plating Code See Below			RoHS-2 2011/65/EU						
SPECIFY PLATING CODE XX =					11	13	91	93	99	41	43	44		
Sleeve (Pin)					10 μ" Au	10 μ" Au	200 μ" Sn/Pb	200 μ" Sn/Pb	200 μ" Sn/Pb	200 μ" Sn	200 μ" Sn	200 μ" Sn		
Contact (Clip)					10 μ" Au	30 μ" Au	10 μ" Au	30 μ" Au	100 μ" Sn/Pb	10 μ" Au	30 μ" Au	100 μ" Sn		

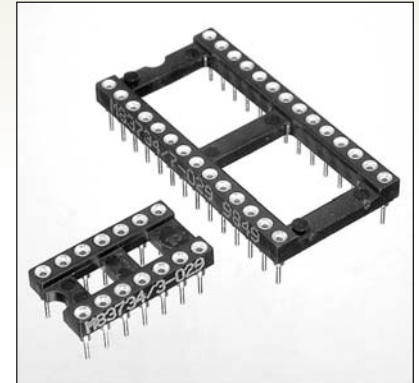


DUAL-IN-LINE SOCKETS

SERIES 110...530 • MIL-DTL-83734 APPROVED, SOLDER TAIL • OPEN FRAME



- Sockets are XY stackable
- Socket pins feature closed end construction eliminating any solder wicking problems
- Packaged in tubes compatible with automatic insertion equipment
- Hi-Rel, 4-finger BeCu #30 contact is rated at 3 amps. See page 253 for details
- Series 110 uses MM #1001 pins. See page 165 for details
- Insulators are high temperature thermoplastic, suitable for all soldering operations
- For Electrical, Mechanical and Environmental Data, see page 264 for details



Total number of pins				Quantity per tube	ORDERING INFORMATION			
	A	B	C		Mill-Max Part Number		Military Part Number	
8	0.4	0.3	0.4	50	110-XX-308-41-530000	M83734/2-YYY		
14	0.7	0.3	0.4	28	110-XX-314-41-530000	M83734/3-YYY		
16	0.8	0.3	0.4	25	110-XX-316-41-530000	M83734/4-YYY		
18	0.9	0.3	0.4	22	110-XX-318-41-530000	M83734/5-YYY		
20	1.0	0.3	0.4	20	110-XX-320-41-530000	M83734/13-YYY		
22	1.1	0.4	0.5	18	110-XX-422-41-530000	M83734/6-YYY		
24	1.2	0.6	0.7	16	110-XX-624-41-530000	M83734/8-YYY		
28	1.4	0.6	0.7	14	110-XX-628-41-530000	M83734/7-YYY		
40	2.0	0.6	0.7	10	110-XX-640-41-530000	M83734/10-YYY		
48	2.4	0.6	0.7	8	110-XX-648-41-530000	M83734/14-YYY		
64	3.2	0.9	1.0	6	110-XX-964-41-530000	M83734/15-YYY		

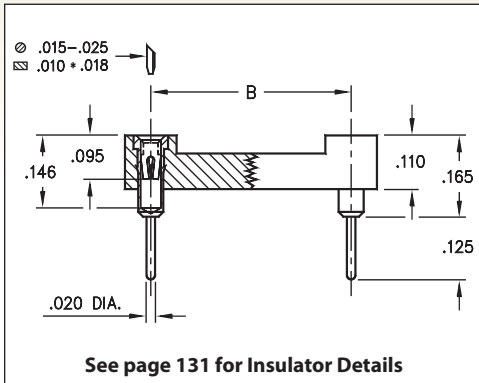
XX=Plating Code
See Below

SEE PAGE 103 FOR COMPLETE MIL-DTL-83734 QPL			
SPECIFY MILL-MAX PLATING CODE XX =	33	83	88
FOR MILITARY PLATING CODE YYY =	028	029	030
Sleeve (Pin)	30 μ" min. Au	300 μ" Sn/Pb	300 μ" Sn/Pb
Contact (Clip)	30 μ" min. Au	30 μ" min. Au	100 μ" Sn/Pb

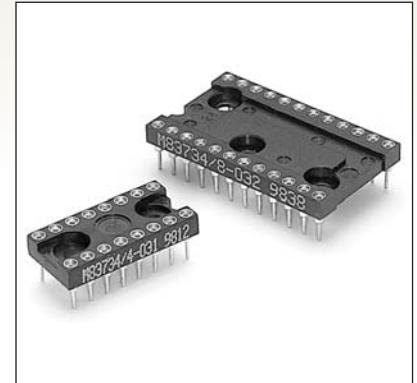


DUAL-IN-LINE SOCKETS

SERIES 210...101 • MIL-DTL-83734 APPROVED, SOLDER TAIL • CLOSED FRAME



- Sockets are XY stackable
- Socket pins feature closed end construction eliminating any solder wicking problems
- Packaged in tubes compatible with automatic insertion equipment
- Hi-Rel, 4-finger BeCu #30 contact is rated at 3 amps. See page 253 for details
- Series 210 uses MM #1001 pins. See page 165 for details
- Insulators are high temperature thermoplastic, suitable for all soldering operations
- For Electrical, Mechanical and Environmental Data, see page 264 for details



Total number of pins				Quantity per tube	ORDERING INFORMATION	
	A	B	C		Mill-Max Part Number	Military Part Number
6	0.3	0.3	0.4	67	210-XX-306-41-101000	M83734/1-YYY
8	0.4	0.3	0.4	50	210-XX-308-41-101000	M83734/2-YYY
14	0.7	0.3	0.4	28	210-XX-314-41-101000	M83734/3-YYY
16	0.8	0.3	0.4	25	210-XX-316-41-101000	M83734/4-YYY
18	0.9	0.3	0.4	22	210-XX-318-41-101000	M83734/5-YYY
20	1.0	0.3	0.4	20	210-XX-320-41-101000	M83734/13-YYY
22	1.1	0.4	0.5	18	210-XX-422-41-101000	M83734/6-YYY
24	1.2	0.6	0.7	16	210-XX-624-41-101000	M83734/8-YYY
28	1.4	0.6	0.7	14	210-XX-628-41-101000	M83734/7-YYY
32	1.6	0.6	0.7	10	210-XX-632-41-101000	M83734/17-YYY
40	2.0	0.6	0.7	8	210-XX-640-41-101000	M83734/10-YYY
64	3.2	0.9	1.0	6	210-XX-964-41-101000	M83734/15-YYY

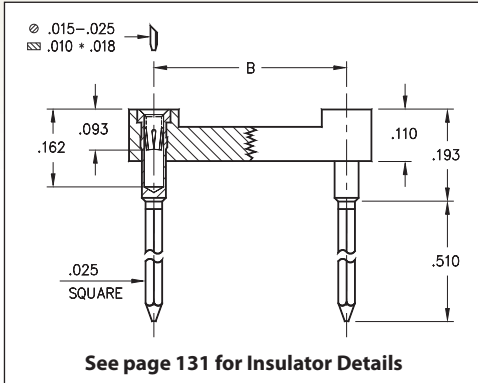
XX=Plating Code
See Below

SEE PAGE 103 FOR COMPLETE MIL-DTL-83734 QPL			
SPECIFY MILL-MAX PLATING CODE XX =	33	83	88
FOR MILITARY PLATING CODE YYY =	031	032	033
(6 PIN ONLY) YYY =	025	026	027
(32 PIN ONLY) YYY =	013	014	015
Sleeve (Pin)	30 μ" min. Au	300 μ" Sn/Pb	300 μ" Sn/Pb
Contact (Clip)	30 μ" min. Au	30 μ" min. Au	100 μ" Sn/Pb

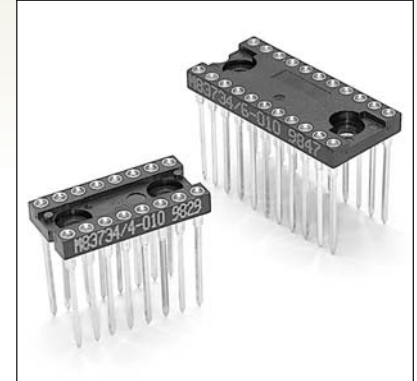


DUAL-IN-LINE SOCKETS

SERIES 223...101 • MIL-DTL-83734 APPROVED, 3 LEVEL WRAPOST • CLOSED FRAME



- Sockets are XY stackable
- Socket pins feature closed end construction eliminating any solder wicking problems
- Hi-Rel, 4-finger BeCu #30 contact is rated at 3 amps. See page 253 for details
- Series 223 uses MM #0038-3 or #0088-3 pins. See page 198 for details
- Insulators are high temperature thermoplastic, suitable for all soldering operations
- For Electrical, Mechanical and Environmental Data, see page 264 for details



Total number of pins				Quantity per tube	ORDERING INFORMATION	
	A	B	C		Mill-Max Part Number	Military Part Number
6	0.3	0.3	0.4	67	223-XX-306-41-101000	M83734/1-YYY
8	0.4	0.3	0.4	50	223-XX-308-41-101000	M83734/2-YYY
14	0.7	0.3	0.4	28	223-XX-314-41-101000	M83734/3-YYY
16	0.8	0.3	0.4	25	223-XX-316-41-101000	M83734/4-YYY
18	0.9	0.3	0.4	22	223-XX-318-41-101000	M83734/5-YYY
20	1.0	0.3	0.4	20	223-XX-320-41-101000	M83734/13-YYY
22	1.1	0.4	0.5	18	223-XX-422-41-101000	M83734/6-YYY
24	1.2	0.6	0.7	16	223-XX-624-41-101000	M83734/8-YYY
28	1.4	0.6	0.7	14	223-XX-628-41-101000	M83734/7-YYY
32	1.6	0.6	0.7	12	223-XX-632-41-101000	M83734/17-YYY
40	2.0	0.6	0.7	10	223-XX-640-41-101000	M83734/10-YYY
64	3.2	0.9	1.0	6	223-XX-964-41-101000	M83734/15-YYY

XX=Plating Code
See Below

SEE PAGE 103 FOR COMPLETE MIL-DTL-83734 QPL			
SPECIFY MILL-MAX PLATING CODE XX =	33	83	88
SPECIFY MILL-MAX PLATING CODE XX =	010	011	012
(32 PIN ONLY) YYY =	007	008	009
Sleeve (Pin)	30 μ" min. Au	300 μ" Sn/Pb	300 μ" Sn/Pb
Contact (Clip)	30 μ" min. Au	30 μ" min. Au	100 μ" Sn/Pb



DUAL-IN-LINE SOCKETS

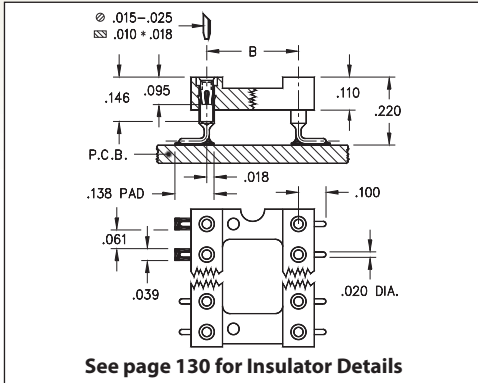
DIP SOCKETS QUALIFIED TO MIL-DTL-83734

MIL SPEC #	MILL-MAX #	MIL SPEC #	MILL-MAX #	MIL SPEC #	MILL-MAX #
M83734/1-010	223-33-306-41-101000	M83734/7-010	223-33-628-41-101000	M83734/15-030	110-88-964-41-530000
M83734/1-011	223-83-306-41-101000	M83734/7-011	223-83-628-41-101000	M83734/15-031	210-33-964-41-101000
M83734/1-012	223-88-306-41-101000	M83734/7-012	223-88-628-41-101000	M83734/15-032	210-83-964-41-101000
M83734/1-025	210-33-306-41-101000	M83734/7-028	110-33-628-41-530000	M83734/15-033	210-88-964-41-101000
M83734/1-026	210-83-306-41-101000	M83734/7-029	110-83-628-41-530000		
M83734/1-027	210-88-306-41-101000	M83734/7-030	110-88-628-41-530000	M83734/17-001	221-33-632-41-101000
		M83734/7-031	210-33-628-41-101000	M83734/17-002	221-83-632-41-101000
M83734/2-010	223-33-308-41-101000	M83734/7-032	210-83-628-41-101000	M83734/17-003	221-88-632-41-101000
M83734/2-011	223-83-308-41-101000	M83734/7-033	210-88-628-41-101000	M83734/17-004	222-33-632-41-101000
M83734/2-012	223-88-308-41-101000			M83734/17-005	222-83-632-41-101000
M83734/2-028	110-33-308-41-530000	M83734/8-010	223-33-624-41-101000	M83734/17-006	222-88-632-41-101000
M83734/2-029	110-83-308-41-530000	M83734/8-011	223-83-624-41-101000	M83734/17-007	223-33-632-41-101000
M83734/2-030	110-88-308-41-530000	M83734/8-012	223-88-624-41-101000	M83734/17-008	223-83-632-41-101000
M83734/2-031	210-33-308-41-101000	M83734/8-028	110-33-624-41-530000	M83734/17-009	223-88-632-41-101000
M83734/2-032	210-83-308-41-101000	M83734/8-029	110-83-624-41-530000	M83734/17-013	210-33-632-41-101000
M83734/2-033	210-88-308-41-101000	M83734/8-030	110-88-624-41-530000	M83734/17-014	210-83-632-41-101000
		M83734/8-031	210-33-624-41-101000	M83734/17-015	210-88-632-41-101000
M83734/3-010	223-33-314-41-101000	M83734/8-032	210-83-624-41-101000		
M83734/3-011	223-83-314-41-101000	M83734/8-033	210-88-624-41-101000		
M83734/3-012	223-88-314-41-101000				
M83734/3-028	110-33-314-41-530000	M83734/9-010	223-33-636-41-101000		
M83734/3-029	110-83-314-41-530000	M83734/9-011	223-83-636-41-101000		
M83734/3-030	110-88-314-41-530000	M83734/9-012	223-88-636-41-101000		
M83734/3-031	210-33-314-41-101000	M83734/9-031	210-33-636-41-101000		
M83734/3-032	210-83-314-41-101000	M83734/9-032	210-83-636-41-101000		
M83734/3-033	210-88-314-41-101000	M83734/9-033	210-88-636-41-101000		
M83734/4-010	223-33-316-41-101000	M83734/10-010	223-33-640-41-101000		
M83734/4-011	223-83-316-41-101000	M83734/10-011	223-83-640-41-101000		
M83734/4-012	223-88-316-41-101000	M83734/10-012	223-88-640-41-101000		
M83734/4-028	110-33-316-41-530000	M83734/10-028	110-33-640-41-530000		
M83734/4-029	110-83-316-41-530000	M83734/10-029	110-83-640-41-530000		
M83734/4-030	110-88-316-41-530000	M83734/10-030	110-88-640-41-530000		
M83734/4-031	210-33-316-41-101000	M83734/10-031	210-33-640-41-101000		
M83734/4-032	210-83-316-41-101000	M83734/10-032	210-83-640-41-101000		
M83734/4-033	210-88-316-41-101000	M83734/10-033	210-88-640-41-101000		
M83734/5-010	223-33-318-41-101000	M83734/13-010	223-33-320-41-101000		
M83734/5-011	223-83-318-41-101000	M83734/13-011	223-83-320-41-101000		
M83734/5-012	223-88-318-41-101000	M83734/13-012	223-88-320-41-101000		
M83734/5-028	110-33-318-41-530000	M83734/13-028	110-33-320-41-530000		
M83734/5-029	110-83-318-41-530000	M83734/13-029	110-83-320-41-530000		
M83734/5-030	110-88-318-41-530000	M83734/13-030	110-88-320-41-530000		
M83734/5-031	210-33-318-41-101000	M83734/13-031	210-33-320-41-101000		
M83734/5-032	210-83-318-41-101000	M83734/13-032	210-83-320-41-101000		
M83734/5-033	210-88-318-41-101000	M83734/13-033	210-88-320-41-101000		
M83734/6-010	223-33-422-41-101000	M83734/14-028	110-33-648-41-530000		
M83734/6-011	223-83-422-41-101000	M83734/14-029	110-83-648-41-530000		
M83734/6-012	223-88-422-41-101000	M83734/14-030	110-88-648-41-530000		
M83734/6-028	110-33-422-41-530000				
M83734/6-029	110-83-422-41-530000	M83734/15-010	223-33-964-41-101000		
M83734/6-030	110-88-422-41-530000	M83734/15-011	223-83-964-41-101000		
M83734/6-031	210-33-422-41-101000	M83734/15-012	223-88-964-41-101000		
M83734/6-032	210-83-422-41-101000	M83734/15-028	110-33-964-41-530000		
M83734/6-033	210-88-422-41-101000	M83734/15-029	110-83-964-41-530000		

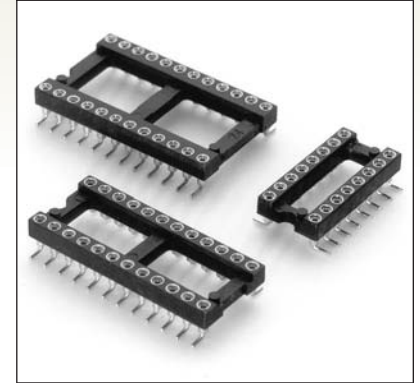


DUAL-IN-LINE SOCKETS

SERIES 110...105 • SURFACE MOUNT, GULL WING • OPEN FRAME



- Socket pins feature closed end construction eliminating any solder wicking problems
- Gull wing terminals provide maximum strength and permit easy visual inspection of solder joints. Series 110 uses Mill-Max #1005 pins. See page 166 for details
- Hi-Rel, 4-finger BeCu #30 contact is rated at 3 amps. See page 253 for details
- Insulators are high temperature thermoplastic, suitable for all soldering operations
- For Electrical, Mechanical and Environmental Data, see page 264 for details



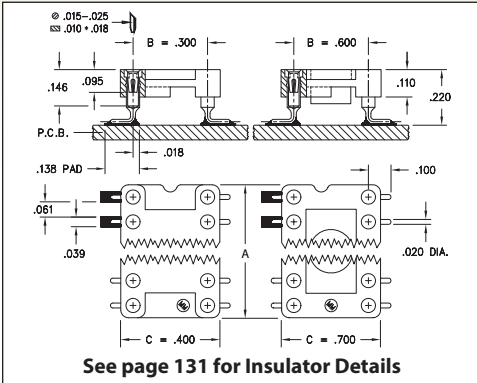
Total number of pins				Quantity per tube	ORDERING INFORMATION						
	A	B	C								
10	0.5	0.2	0.3	40	110-XX-210-41-105000						
4	0.2	0.3	0.4	102	110-XX-304-41-105000						
6	0.3	0.3	0.4	67	110-XX-306-41-105000						
8	0.4	0.3	0.4	50	110-XX-308-41-105000						
10	0.5	0.3	0.4	40	110-XX-310-41-105000						
14	0.7	0.3	0.4	28	110-XX-314-41-105000						
16	0.8	0.3	0.4	25	110-XX-316-41-105000						
18	0.9	0.3	0.4	22	110-XX-318-41-105000						
20	1.0	0.3	0.4	20	110-XX-320-41-105000						
22	1.1	0.3	0.4	18	110-XX-322-41-105000						
24	1.2	0.3	0.4	16	110-XX-324-41-105000						
28	1.4	0.3	0.4	14	110-XX-328-41-105000						
20	1.0	0.4	0.5	20	110-XX-420-41-105000						
22	1.1	0.4	0.5	18	110-XX-422-41-105000						
24	1.2	0.4	0.5	16	110-XX-424-41-105000						
28	1.4	0.4	0.5	14	110-XX-428-41-105000						
32	1.6	0.4	0.5	12	110-XX-432-41-105000						
24	1.2	0.6	0.7	32	110-XX-624-41-105000						
28	1.4	0.6	0.7	28	110-XX-628-41-105000						
32	1.6	0.6	0.7	24	110-XX-632-41-105000						
36	1.8	0.6	0.7	22	110-XX-636-41-105000						
40	2.0	0.6	0.7	20	110-XX-640-41-105000						
42	2.1	0.6	0.7	18	110-XX-642-41-105000						
48	2.4	0.6	0.7	16	110-XX-648-41-105000						
50	2.5	0.6	0.7	16	110-XX-650-41-105000						
52	2.6	0.6	0.7	14	110-XX-652-41-105000						
50	2.5	0.9	1.0	16	110-XX-950-41-105000						
52	2.6	0.9	1.0	14	110-XX-952-41-105000						
64	3.2	0.9	1.0	12	110-XX-964-41-105000						
See page 264 for coplanarity information					SPECIFY PLATING CODE XX=						
						91	93			43	
					Sleeve (Pin)	200 μ" Sn/Pb	200 μ" Sn/Pb			200 μ" Sn	
					Contact (Clip)	10 μ" Au	30 μ" Au			30 μ" Au	

XX=Plating Code
See Below

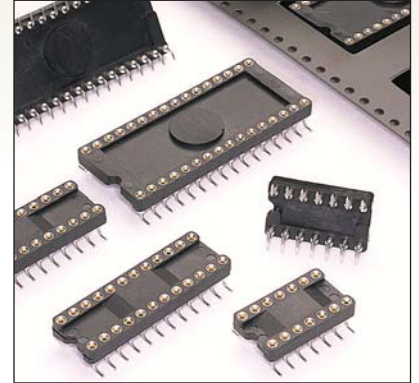


DUAL-IN-LINE SOCKETS

SERIES 210...105 • SMT, AUTO PLACEMENT, GULL WING • CLOSED FRAME



- Closed frame insulator is vision system compatible
- Gull wing terminals provide maximum strength and permit easy visual inspection of solder joints. Series 210 uses Mill-Max #1005 pins. See page 166 for details
- Available packaged in tubes or on tape & reel per EIA-481
- Hi-Rel, 4-finger BeCu #30 contact is rated at 3 amps. See page 253 for details
- High-temp Nylon 46 insulator is suitable for all forms of reflow soldering
- For Electrical, Mechanical and Environmental Data, see page 264 for details

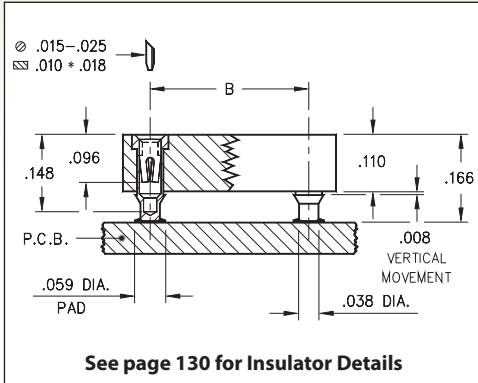


Total number of pins				Quantity per tube	ORDERING INFORMATION					
	A	B	C		Tube Packaging	Tape & Reel Packaging	Tape Width (mm)	QTY per Reel		
VACUUM PAD TOP SURFACE ONLY										
6	0.3	0.3	0.4	67	210-XX-306-41-105000	210-XX-306-41-105799	16	400		
8	0.4	0.3	0.4	50	210-XX-308-41-105000	210-XX-308-41-105799	24	400		
14	0.7	0.3	0.4	28	210-XX-314-41-105000	210-XX-314-41-105799	32	400		
16	0.8	0.3	0.4	25	210-XX-316-41-105000	210-XX-316-41-105799	32	400		
18	0.9	0.3	0.4	22	210-XX-318-41-105000	210-XX-318-41-105799	44	400		
20	1.0	0.3	0.4	20	210-XX-320-41-105000	210-XX-320-41-105799	44	400		
24	1.2	0.3	0.4	16	210-XX-324-41-105000	210-XX-324-41-105799	44	400		
VACUUM PAD TOP AND BOTTOM										
24	1.2	0.6	0.7	16	210-XX-624-41-105000	210-XX-624-41-105799	44	300		
28	1.4	0.6	0.7	14	210-XX-628-41-105000	210-XX-628-41-105799	56	300		
32	1.6	0.6	0.7	12	210-XX-632-41-105000	210-XX-632-41-105799	56	300		
40	2.0	0.6	0.7	10	210-XX-640-41-105000	NOT AVAILABLE				
 XX=Plating Code See Below										
See page 264 for coplanarity information					SPECIFY PLATING CODE XX=					
					Sleeve (Pin)			93		43
					Contact (Clip)			200 μ" Sn/Pb		200 μ" Sn
							30 μ" Au		30 μ" Au	

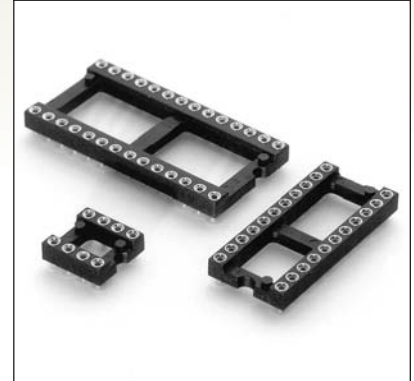


DUAL-IN-LINE SOCKETS

SERIES 114 • SURFACE MOUNT, STUB TAIL • OPEN FRAME



- Unique floating contacts compensate for the effects of unevenly dispensed solder paste
- Socket pins feature closed end construction eliminating any solder/flux wicking problems
- Hi-Rel, 4-finger BeCu #30 contact is rated at 3 amps. See page 253 for details
- Series 114 uses MM #1434 pins. See page 162 for details
- Insulators are high temperature thermoplastic, suitable for all soldering operations
- For Electrical, Mechanical and Environmental Data see page 264 for details



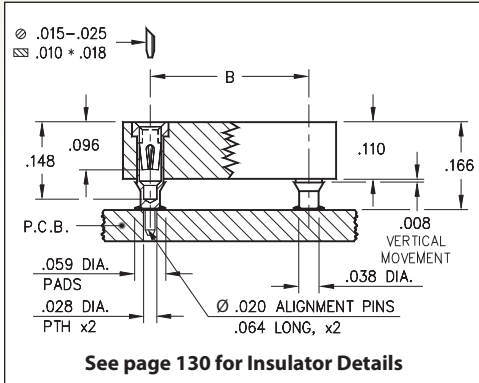
Total number of pins				Quantity per tube	<h3>ORDERING INFORMATION</h3>					
	A	B	C							
10	0.5	0.2	0.3	41	114-XX-210-41-117000					
4	0.2	0.3	0.4	100	114-XX-304-41-117000					
6	0.3	0.3	0.4	67	114-XX-306-41-117000					
8	0.4	0.3	0.4	50	114-XX-308-41-117000					
10	0.5	0.3	0.4	40	114-XX-310-41-117000					
14	0.7	0.3	0.4	28	114-XX-314-41-117000					
16	0.8	0.3	0.4	25	114-XX-316-41-117000					
18	0.9	0.3	0.4	22	114-XX-318-41-117000					
20	1.0	0.3	0.4	20	114-XX-320-41-117000					
22	1.1	0.3	0.4	18	114-XX-322-41-117000					
24	1.2	0.3	0.4	16	114-XX-324-41-117000					
28	1.4	0.3	0.4	14	114-XX-328-41-117000					
20	1.0	0.4	0.5	20	114-XX-420-41-117000					
22	1.1	0.4	0.5	18	114-XX-422-41-117000					
24	1.2	0.4	0.5	16	114-XX-424-41-117000					
28	1.4	0.4	0.5	14	114-XX-428-41-117000					
32	1.6	0.4	0.5	12	114-XX-432-41-117000					
24	1.2	0.6	0.7	16	114-XX-624-41-117000					
28	1.4	0.6	0.7	14	114-XX-628-41-117000					
32	1.6	0.6	0.7	12	114-XX-632-41-117000					
36	1.8	0.6	0.7	11	114-XX-636-41-117000					
40	2.0	0.6	0.7	10	114-XX-640-41-117000					
42	2.1	0.6	0.7	9	114-XX-642-41-117000					
48	2.4	0.6	0.7	8	114-XX-648-41-117000					
50	2.5	0.6	0.7	8	114-XX-650-41-117000					
52	2.6	0.6	0.7	7	114-XX-652-41-117000					
50	2.5	0.9	1.0	8	114-XX-950-41-117000					
52	2.6	0.9	1.0	7	114-XX-952-41-117000					
64	3.2	0.9	1.0	6	114-XX-964-41-117000					
SPECIFY PLATING CODE XX =					91	93	41	43		
					Sleeve (Pin)	200 μ" Sn/Pb	200 μ" Sn/Pb	200 μ" Sn	200 μ" Sn	
					10 μ" Au	30 μ" Au	10 μ" Au	30 μ" Au		
					Contact (Clip)					

XX=Plating Code
See Below

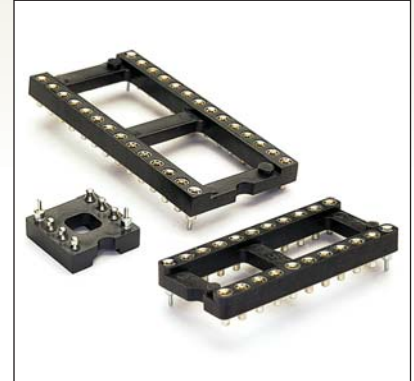


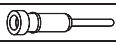

DUAL-IN-LINE SOCKETS

SERIES 113 • SURFACE MOUNT, STUB TAIL W/ ALIGNMENT PINS • OPEN FRAME



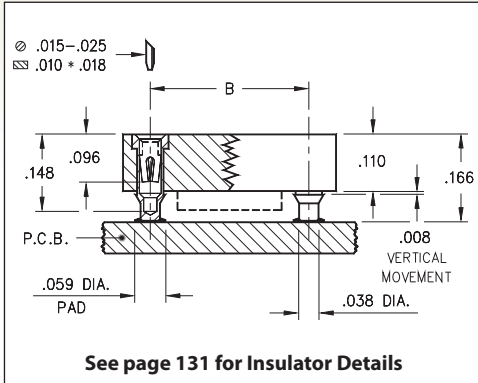
- Unique floating contacts compensate for the effects of unevenly dispensed solder paste
- Two corner alignment pins (power & ground positions) permit manual placement
- Hi-Rel, 4-finger BeCu #30 contact is rated at 3 amps. See page 253 for details
- Series 113 uses MM #1334 and #1434 pins. See pages 162 and 171
- Insulators are high temperature thermoplastic, suitable for all soldering operations
- For Electrical, Mechanical and Environmental Data, see page 264 for details



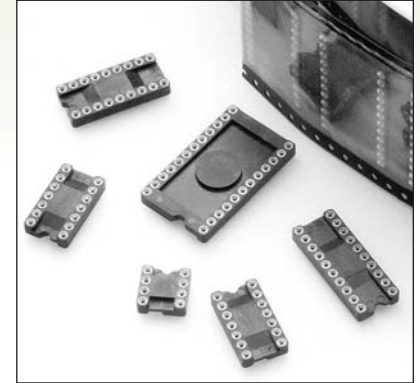
Total number of pins	ALIGNMENT PINS			Quantity per tube	ORDERING INFORMATION				
	A	B	C						
10	0.5	0.2	0.3	41	113-XX-210-41-117000				
4	0.2	0.3	0.4	100	113-XX-304-41-117000				
6	0.3	0.3	0.4	67	113-XX-306-41-117000				
8	0.4	0.3	0.4	50	113-XX-308-41-117000				
10	0.5	0.3	0.4	40	113-XX-310-41-117000				
14	0.7	0.3	0.4	28	113-XX-314-41-117000				
16	0.8	0.3	0.4	25	113-XX-316-41-117000				
18	0.9	0.3	0.4	22	113-XX-318-41-117000				
20	1.0	0.3	0.4	20	113-XX-320-41-117000				
22	1.1	0.3	0.4	18	113-XX-322-41-117000				
24	1.2	0.3	0.4	16	113-XX-324-41-117000				
28	1.4	0.3	0.4	14	113-XX-328-41-117000				
20	1.0	0.4	0.5	20	113-XX-420-41-117000				
22	1.1	0.4	0.5	18	113-XX-422-41-117000				
24	1.2	0.4	0.5	16	113-XX-424-41-117000				
28	1.4	0.4	0.5	14	113-XX-428-41-117000				
32	1.6	0.4	0.5	12	113-XX-432-41-117000				
24	1.2	0.6	0.7	16	113-XX-624-41-117000				
28	1.4	0.6	0.7	14	113-XX-628-41-117000				
32	1.6	0.6	0.7	12	113-XX-632-41-117000				
36	1.8	0.6	0.7	11	113-XX-636-41-117000				
40	2.0	0.6	0.7	10	113-XX-640-41-117000				
42	2.1	0.6	0.7	9	113-XX-642-41-117000				
48	2.4	0.6	0.7	8	113-XX-648-41-117000				
50	2.5	0.6	0.7	8	113-XX-650-41-117000				
52	2.6	0.6	0.7	7	113-XX-652-41-117000				
50	2.5	0.9	1.0	8	113-XX-950-41-117000				
52	2.6	0.9	1.0	7	113-XX-952-41-117000				
64	3.2	0.9	1.0	6	113-XX-964-41-117000				
XX=Plating Code See Below					RoHS-2 2011/65/EU				
SPECIFY PLATING CODE XX =						93			43
Sleeve (Pin) 						200 μ " Sn/Pb			200 μ " Sn
Contact (Clip) 						30 μ " Au			30 μ " Au

DUAL-IN-LINE SOCKETS

SERIES 214 • SURFACE MOUNT, AUTO PLACEMENT, STUB TAIL • CLOSED FRAME



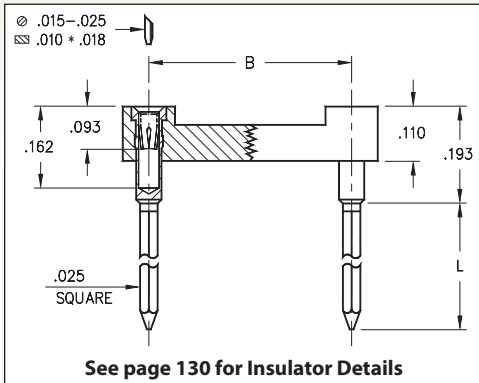
- Unique floating contacts compensate for the effects of unevenly screened solder paste
- Available packaged in tubes or on tape & reel per EIA-481
- Hi-Rel, 4-finger BeCu #30 contact is rated at 3 amps. See page 253 for details
- Series 214 uses MM #1434 pins. See page 162 for details
- High temp. Nylon 46 insulator is suitable for all surface mount soldering processes. Closed frame insulator is vision system compatible
- For Electrical, Mechanical and Environmental Data, see page 264 for details



Total number of pins				Quantity per tube	ORDERING INFORMATION					
	A	B	C		Tube Packaging	Tape & Reel Packaging	Tape Width (mm)	QTY per Reel		
					VACUUM PAD TOP SURFACE ONLY					
6	0.3	0.3	0.4	67	214-XX-306-01-670800	214-XX-306-01-670799	16	750		
8	0.4	0.3	0.4	50	214-XX-308-01-670800	214-XX-308-01-670799	16	1000		
14	0.7	0.3	0.4	28	214-XX-314-01-670800	214-XX-314-01-670799	32	750		
16	0.8	0.3	0.4	25	214-XX-316-01-670800	214-XX-316-01-670799	32	750		
18	0.9	0.3	0.4	22	214-XX-318-01-670800	214-XX-318-01-670799	44	750		
20	1.0	0.3	0.4	20	214-XX-320-01-670800	214-XX-320-01-670799	44	750		
					VACUUM PAD TOP AND BOTTOM					
24	1.2	0.6	0.7	16	214-XX-624-01-670800	214-XX-624-01-670799	44	400		
28	1.4	0.6	0.7	14	214-XX-628-01-670800	214-XX-628-01-670799	56	400		
32	1.6	0.6	0.7	12	214-XX-632-01-670800	214-XX-632-01-670799	56	400		
40	2.0	0.6	0.7	10	214-XX-640-01-670800	NOT AVAILABLE				
SPECIFY PLATING CODE XX =								99		44
Sleeve (Pin)								200 μ" Sn/Pb		200 μ" Sn
Contact (Clip)								100 μ" Sn/Pb		100 μ" Sn

DUAL-IN-LINE SOCKETS

SERIES 121, 122, 123, 124 • 1 - 4 LEVEL WRAPOST • OPEN FRAME



- Solderless wrappost terminals are firmly locked in the insulator body to withstand torque of a wrapping tool
- Hi-Rel, 4-finger BeCu #30 contact is rated at 3 amps. See page 253 for details
- Series 121, 122, 123 and 124 use MM #0040, #0086, #0088 and #0089 pins. See page 198 for details
- Insulators are high temperature thermoplastic, suitable for all soldering operations
- For Electrical, Mechanical and Environmental Data, see page 264 for details



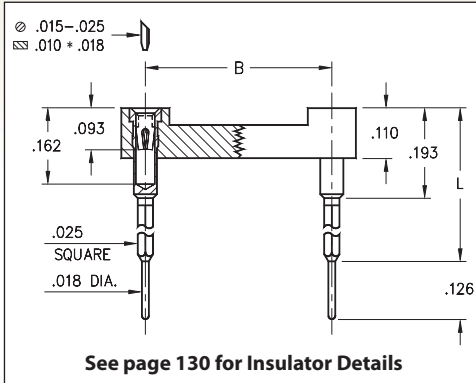
RoHS - 2
2011/65/EU

Total number of pins				Quantity per tube	ORDERING INFORMATION				
	A	B	C		L = .260 (1 Level Wrappost)	L = .370 (2 Level Wrappost)	L = .510 (3 Level Wrappost)	L = .630 (4 Level Wrappost)	
10	0.5	0.2	0.3	40	121-XX-210-41-001000	122-XX-210-41-001000	123-XX-210-41-001000	124-XX-210-41-002000 <i>43 or 93 Plating Code ONLY</i>	
4	0.2	0.3	0.4	102	121-XX-304-41-001000	122-XX-304-41-001000	123-XX-304-41-001000	124-XX-304-41-002000	
6	0.3	0.3	0.4	67	121-XX-306-41-001000	122-XX-306-41-001000	123-XX-306-41-001000	124-XX-306-41-002000	
8	0.4	0.3	0.4	50	121-XX-308-41-001000	122-XX-308-41-001000	123-XX-308-41-001000	124-XX-308-41-002000	
10	0.5	0.3	0.4	40	121-XX-310-41-001000	122-XX-310-41-001000	123-XX-310-41-001000	124-XX-310-41-002000	
14	0.7	0.3	0.4	28	121-XX-314-41-001000	122-XX-314-41-001000	123-XX-314-41-001000	124-XX-314-41-002000	
16	0.8	0.3	0.4	25	121-XX-316-41-001000	122-XX-316-41-001000	123-XX-316-41-001000	124-XX-316-41-002000	
18	0.9	0.3	0.4	22	121-XX-318-41-001000	122-XX-318-41-001000	123-XX-318-41-001000	124-XX-318-41-002000	
20	1.0	0.3	0.4	20	121-XX-320-41-001000	122-XX-320-41-001000	123-XX-320-41-001000	124-XX-320-41-002000	
22	1.1	0.3	0.4	18	121-XX-322-41-001000	122-XX-322-41-001000	123-XX-322-41-001000	124-XX-322-41-002000	
24	1.2	0.3	0.4	16	121-XX-324-41-001000	122-XX-324-41-001000	123-XX-324-41-001000	124-XX-324-41-002000	
28	1.4	0.3	0.4	14	121-XX-328-41-001000	122-XX-328-41-001000	123-XX-328-41-001000	124-XX-328-41-002000 <i>43 or 93 Plating Code ONLY</i>	
20	1.0	0.4	0.5	20	121-XX-420-41-001000	122-XX-420-41-001000	123-XX-420-41-001000	124-XX-420-41-002000	
22	1.1	0.4	0.5	18	121-XX-422-41-001000	122-XX-422-41-001000	123-XX-422-41-001000	124-XX-422-41-002000	
24	1.2	0.4	0.5	16	121-XX-424-41-001000	122-XX-424-41-001000	123-XX-424-41-001000	124-XX-424-41-002000	
28	1.4	0.4	0.5	14	121-XX-428-41-001000	122-XX-428-41-001000	123-XX-428-41-001000	124-XX-428-41-002000	
32	1.6	0.4	0.5	12	121-XX-432-41-001000	122-XX-432-41-001000	123-XX-432-41-001000	124-XX-432-41-002000 <i>43 or 93 Plating Code ONLY</i>	
24	1.2	0.6	0.7	16	121-XX-624-41-001000	122-XX-624-41-001000	123-XX-624-41-001000	124-XX-624-41-002000	
28	1.4	0.6	0.7	14	121-XX-628-41-001000	122-XX-628-41-001000	123-XX-628-41-001000	124-XX-628-41-002000	
32	1.6	0.6	0.7	12	121-XX-632-41-001000	122-XX-632-41-001000	123-XX-632-41-001000	124-XX-632-41-002000	
36	1.8	0.6	0.7	11	121-XX-636-41-001000	122-XX-636-41-001000	123-XX-636-41-001000	124-XX-636-41-002000	
40	2.0	0.6	0.7	10	121-XX-640-41-001000	122-XX-640-41-001000	123-XX-640-41-001000	124-XX-640-41-002000	
42	2.1	0.6	0.7	9	121-XX-642-41-001000	122-XX-642-41-001000	123-XX-642-41-001000	124-XX-642-41-002000	
48	2.4	0.6	0.7	8	121-XX-648-41-001000	122-XX-648-41-001000	123-XX-648-41-001000	124-XX-648-41-002000	
50	2.5	0.6	0.7	8	121-XX-650-41-001000	122-XX-650-41-001000	123-XX-650-41-001000	124-XX-650-41-002000	
52	2.6	0.6	0.7	7	121-XX-652-41-001000	122-XX-652-41-001000	123-XX-652-41-001000	124-XX-652-41-002000 <i>43 or 93 Plating Code ONLY</i>	
50	2.5	0.9	1.0	8	121-XX-950-41-001000	122-XX-950-41-001000	123-XX-950-41-001000	124-XX-950-41-002000	
52	2.6	0.9	1.0	7	121-XX-952-41-001000	122-XX-952-41-001000	123-XX-952-41-001000	124-XX-952-41-002000	
64	3.2	0.9	1.0	6	121-XX-964-41-001000	122-XX-964-41-001000	123-XX-964-41-001000	124-XX-964-41-002000	
SPECIFY PLATING CODE XX =					13 ◆	91	93	41 ◆	43 ◆
Sleeve (Pin)					10 μ" Au	200 μ" Sn/Pb	200 μ" Sn/Pb	200 μ" Sn	200 μ" Sn
Contact (Clip)					30 μ" Au	10 μ" Au	30 μ" Au	10 μ" Au	30 μ" Au

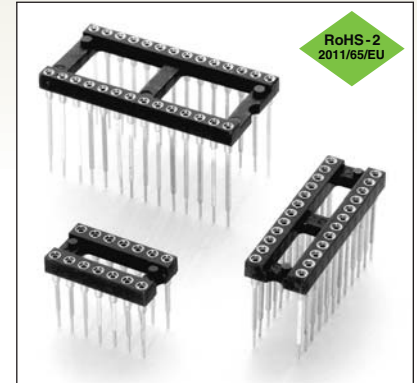
XX=Plating Code
See to Left

DUAL-IN-LINE SOCKETS

SERIES 126 • PLUGGABLE WRAPOST • OPEN FRAME



- Combines one through three level wrappost with pluggable solder tails
- Suitable for use as an interconnect socket with intermediate wire wrapped connections
- Hi-Rel, 4-finger BeCu #30 contact is rated at 3 amps. See page 253 for details
- Series 126 uses MM #2601, #2602 and #2603 pins. See page 199 for details
- Insulators are high temperature thermoplastic, suitable for all soldering operations
- For Electrical, Mechanical and Environmental Data, see page 264 for details

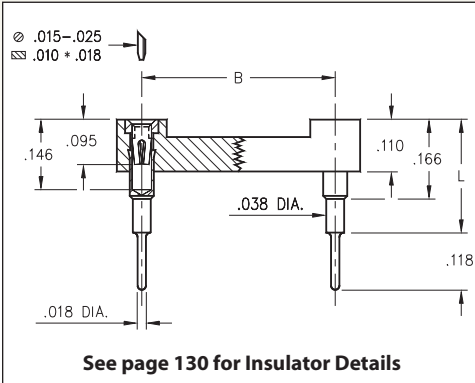


Total number of pins	Pin Spacing			Quantity per tube	ORDERING INFORMATION				
					L = .425	L = .543	L = .661	XX=Plating Code See to Left	
	A	B	C		(1 Level Wrappost = .232)	(2 Level Wrappost = .350)	(3 Level Wrappost = .469)		
10	0.5	0.2	0.3	40	126-XX-210-41-001000	126-XX-210-41-002000	126-XX-210-41-003000		
4	0.2	0.3	0.4	102	126-XX-304-41-001000	126-XX-304-41-002000	126-XX-304-41-003000		
6	0.3	0.3	0.4	67	126-XX-306-41-001000	126-XX-306-41-002000	126-XX-306-41-003000		
8	0.4	0.3	0.4	50	126-XX-308-41-001000	126-XX-308-41-002000	126-XX-308-41-003000		
10	0.5	0.3	0.4	40	126-XX-310-41-001000	126-XX-310-41-002000	126-XX-310-41-003000		
14	0.7	0.3	0.4	28	126-XX-314-41-001000	126-XX-314-41-002000	126-XX-314-41-003000		
16	0.8	0.3	0.4	25	126-XX-316-41-001000	126-XX-316-41-002000	126-XX-316-41-003000		
18	0.9	0.3	0.4	22	126-XX-318-41-001000	126-XX-318-41-002000	126-XX-318-41-003000		
20	1.0	0.3	0.4	20	126-XX-320-41-001000	126-XX-320-41-002000	126-XX-320-41-003000		
22	1.1	0.3	0.4	18	126-XX-322-41-001000	126-XX-322-41-002000	126-XX-322-41-003000		
24	1.2	0.3	0.4	16	126-XX-324-41-001000	126-XX-324-41-002000	126-XX-324-41-003000		
28	1.4	0.3	0.4	14	126-XX-328-41-001000	126-XX-328-41-002000	126-XX-328-41-003000		
20	1.0	0.4	0.5	20	126-XX-420-41-001000	126-XX-420-41-002000	126-XX-420-41-003000		
22	1.1	0.4	0.5	18	126-XX-422-41-001000	126-XX-422-41-002000	126-XX-422-41-003000		
24	1.2	0.4	0.5	16	126-XX-424-41-001000	126-XX-424-41-002000	126-XX-424-41-003000		
28	1.4	0.4	0.5	14	126-XX-428-41-001000	126-XX-428-41-002000	126-XX-428-41-003000		
32	1.6	0.4	0.5	12	126-XX-432-41-001000	126-XX-432-41-002000	126-XX-432-41-003000		
24	1.2	0.6	0.7	16	126-XX-624-41-001000	126-XX-624-41-002000	126-XX-624-41-003000		
28	1.4	0.6	0.7	14	126-XX-628-41-001000	126-XX-628-41-002000	126-XX-628-41-003000		
32	1.6	0.6	0.7	12	126-XX-632-41-001000	126-XX-632-41-002000	126-XX-632-41-003000		
36	1.8	0.6	0.7	11	126-XX-636-41-001000	126-XX-636-41-002000	126-XX-636-41-003000		
40	2.0	0.6	0.7	10	126-XX-640-41-001000	126-XX-640-41-002000	126-XX-640-41-003000		
42	2.1	0.6	0.7	9	126-XX-642-41-001000	126-XX-642-41-002000	126-XX-642-41-003000		
48	2.4	0.6	0.7	8	126-XX-648-41-001000	126-XX-648-41-002000	126-XX-648-41-003000		
50	2.5	0.6	0.7	8	126-XX-650-41-001000	126-XX-650-41-002000	126-XX-650-41-003000		
52	2.6	0.6	0.7	7	126-XX-652-41-001000	126-XX-652-41-002000	126-XX-652-41-003000		
50	2.5	0.9	1.0	8	126-XX-950-41-001000	126-XX-950-41-002000	126-XX-950-41-003000		
52	2.6	0.9	1.0	7	126-XX-952-41-001000	126-XX-952-41-002000	126-XX-952-41-003000		
64	3.2	0.9	1.0	6	126-XX-964-41-001000	126-XX-964-41-002000	126-XX-964-41-003000		
SPECIFY PLATING CODE XX =					91	93	41	43	
Sleeve (Pin)					200 μ" Sn/Pb	200 μ" Sn/Pb	200 μ" Sn	200 μ" Sn	
Contact (Clip)					10 μ" Au	30 μ" Au	10 μ" Au	30 μ" Au	

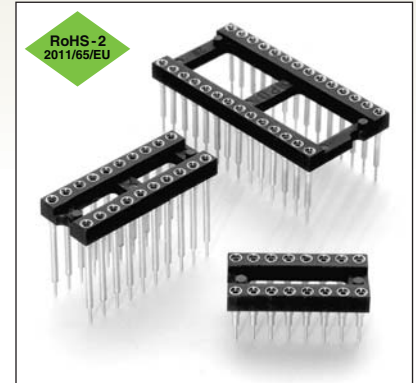


DUAL-IN-LINE SOCKETS

SERIES 116 • ELEVATED • OPEN FRAME



- Ideal for raised component requirements and stacking of PCBs
- Sockets are XY stackable
- Hi-Rel, 4-finger BeCu #30 contact is rated at 3 amps. See page 253 for details
- Series 116 uses MM #0153-X pins. See page 167 for details
- Insulators are high temperature thermoplastic, suitable for all soldering operations
- For Electrical, Mechanical and Environmental Data, see page 264 for details

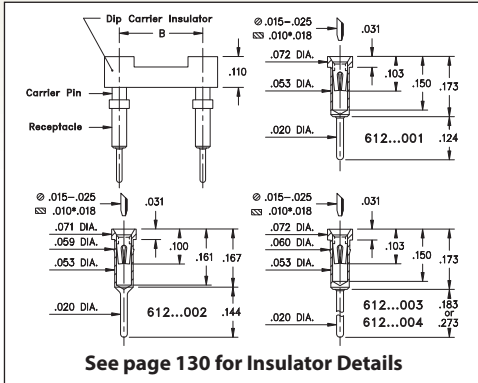


Total number of pins				Quantity per tube	ORDERING INFORMATION				
	A	B	C		L = .236 (#0153-1 pin)	L = .315 (#0153-2 pin)	L = .402 (#0153-3 pin)	L = .472 (#0153-4 pin)	L = .594 (#0153-5 pin)
	10	0.5	0.2		0.3	40	116-XX-210-41-006000	116-XX-210-41-003000	116-XX-210-41-007000
4	0.2	0.3	0.4	102	116-XX-304-41-006000	116-XX-304-41-003000	116-XX-304-41-007000	116-XX-304-41-008000	116-XX-304-41-001000
6	0.3	0.3	0.4	67	116-XX-306-41-006000	116-XX-306-41-003000	116-XX-306-41-007000	116-XX-306-41-008000	116-XX-306-41-001000
8	0.4	0.3	0.4	50	116-XX-308-41-006000	116-XX-308-41-003000	116-XX-308-41-007000	116-XX-308-41-008000	116-XX-308-41-001000
10	0.5	0.3	0.4	40	116-XX-310-41-006000	116-XX-310-41-003000	116-XX-310-41-007000	116-XX-310-41-008000	116-XX-310-41-001000
14	0.7	0.3	0.4	28	116-XX-314-41-006000	116-XX-314-41-003000	116-XX-314-41-007000	116-XX-314-41-008000	116-XX-314-41-001000
16	0.8	0.3	0.4	25	116-XX-316-41-006000	116-XX-316-41-003000	116-XX-316-41-007000	116-XX-316-41-008000	116-XX-316-41-001000
18	0.9	0.3	0.4	22	116-XX-318-41-006000	116-XX-318-41-003000	116-XX-318-41-007000	116-XX-318-41-008000	116-XX-318-41-001000
20	1.0	0.3	0.4	20	116-XX-320-41-006000	116-XX-320-41-003000	116-XX-320-41-007000	116-XX-320-41-008000	116-XX-320-41-001000
22	1.1	0.3	0.4	18	116-XX-322-41-006000	116-XX-322-41-003000	116-XX-322-41-007000	116-XX-322-41-008000	116-XX-322-41-001000
24	1.2	0.3	0.4	16	116-XX-324-41-006000	116-XX-324-41-003000	116-XX-324-41-007000	116-XX-324-41-008000	116-XX-324-41-001000
28	1.4	0.3	0.4	14	116-XX-328-41-006000	116-XX-328-41-003000	116-XX-328-41-007000	116-XX-328-41-008000	116-XX-328-41-001000
20	1.0	0.4	0.5	20	116-XX-420-41-006000	116-XX-420-41-003000	116-XX-420-41-007000	116-XX-420-41-008000	116-XX-420-41-001000
22	1.1	0.4	0.5	18	116-XX-422-41-006000	116-XX-422-41-003000	116-XX-422-41-007000	116-XX-422-41-008000	116-XX-422-41-001000
24	1.2	0.4	0.5	16	116-XX-424-41-006000	116-XX-424-41-003000	116-XX-424-41-007000	116-XX-424-41-008000	116-XX-424-41-001000
28	1.4	0.4	0.5	14	116-XX-428-41-006000	116-XX-428-41-003000	116-XX-428-41-007000	116-XX-428-41-008000	116-XX-428-41-001000
32	1.6	0.4	0.5	12	116-XX-432-41-006000	116-XX-432-41-003000	116-XX-432-41-007000	116-XX-432-41-008000	116-XX-432-41-001000
24	1.2	0.6	0.7	16	116-XX-624-41-006000	116-XX-624-41-003000	116-XX-624-41-007000	116-XX-624-41-008000	116-XX-624-41-001000
28	1.4	0.6	0.7	14	116-XX-628-41-006000	116-XX-628-41-003000	116-XX-628-41-007000	116-XX-628-41-008000	116-XX-628-41-001000
32	1.6	0.6	0.7	12	116-XX-632-41-006000	116-XX-632-41-003000	116-XX-632-41-007000	116-XX-632-41-008000	116-XX-632-41-001000
36	1.8	0.6	0.7	11	116-XX-636-41-006000	116-XX-636-41-003000	116-XX-636-41-007000	116-XX-636-41-008000	116-XX-636-41-001000
40	2.0	0.6	0.7	10	116-XX-640-41-006000	116-XX-640-41-003000	116-XX-640-41-007000	116-XX-640-41-008000	116-XX-640-41-001000
42	2.1	0.6	0.7	9	116-XX-642-41-006000	116-XX-642-41-003000	116-XX-642-41-007000	116-XX-642-41-008000	116-XX-642-41-001000
48	2.4	0.6	0.7	8	116-XX-648-41-006000	116-XX-648-41-003000	116-XX-648-41-007000	116-XX-648-41-008000	116-XX-648-41-001000
50	2.5	0.6	0.7	8	116-XX-650-41-006000	116-XX-650-41-003000	116-XX-650-41-007000	116-XX-650-41-008000	116-XX-650-41-001000
52	2.6	0.6	0.7	7	116-XX-652-41-006000	116-XX-652-41-003000	116-XX-652-41-007000	116-XX-652-41-008000	116-XX-652-41-001000
50	2.5	0.9	1.0	8	116-XX-950-41-006000	116-XX-950-41-003000	116-XX-950-41-007000	116-XX-950-41-008000	116-XX-950-41-001000
52	2.6	0.9	1.0	7	116-XX-952-41-006000	116-XX-952-41-003000	116-XX-952-41-007000	116-XX-952-41-008000	116-XX-952-41-001000
64	3.2	0.9	1.0	6	116-XX-964-41-006000	116-XX-964-41-003000	116-XX-964-41-007000	116-XX-964-41-008000	116-XX-964-41-001000
SPECIFY PLATING CODE XX=					91	93	41 ◆	43 ◆	 XX=Plating Code See to Left
Sleeve (Pin)					200 μ" Sn/Pb	200 μ" Sn/Pb	200 μ" Sn	200 μ" Sn	
Contact (Clip)					10 μ" Au	30 μ" Au	10 μ" Au	30 μ" Au	

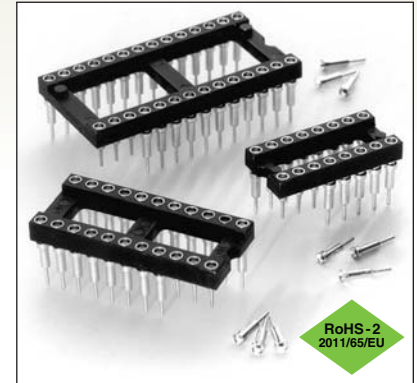


DUAL-IN-LINE SOCKETS

SERIES 612 • CARRIER TYPE, SOLDER TAIL • OPEN FRAME



- Convenient way to load loose receptacles on a PC board
- Removable plastic carriers can be returned for reloading
- Hi-Rel, 4-finger BeCu #30 contact is rated at 3 amps. See page 253 for details
- Series 612 uses MM #0255, #8855, #0135 or #0132 pins. See pages 165 and 171 for details
- Insulators are high temperature thermoplastic, suitable for all soldering operations
- For Electrical, Mechanical and Environmental Data, see page 264 for details

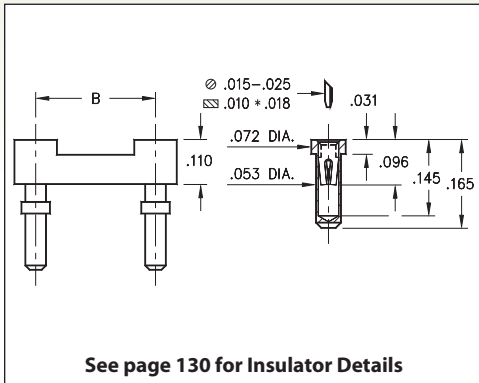


Total number of pins				Quantity per tube	ORDERING INFORMATION					
	A	B	C		Tail Length = .124 (.022 Min. Mounting Hole)	Tail Length = .144 (.022 Min. Mounting Hole)	Tail Length = .183 (.022 Min. Mounting Hole)	Tail Length = .273 (.022 Min. Mounting Hole)		
10	0.5	0.2	0.3	40	612-XX-210-41-001000	612-XX-210-41-002000	612-XX-210-41-003000	612-XX-210-41-004000		
4	0.2	0.3	0.4	102	612-XX-304-41-001000	612-XX-304-41-002000	612-XX-304-41-003000	612-XX-304-41-004000		
6	0.3	0.3	0.4	68	612-XX-306-41-001000	612-XX-306-41-002000	612-XX-306-41-003000	612-XX-306-41-004000		
8	0.4	0.3	0.4	50	612-XX-308-41-001000	612-XX-308-41-002000	612-XX-308-41-003000	612-XX-308-41-004000		
10	0.5	0.3	0.4	40	612-XX-310-41-001000	612-XX-310-41-002000	612-XX-310-41-003000	612-XX-310-41-004000		
14	0.7	0.3	0.4	28	612-XX-314-41-001000	612-XX-314-41-002000	612-XX-314-41-003000	612-XX-314-41-004000		
16	0.8	0.3	0.4	25	612-XX-316-41-001000	612-XX-316-41-002000	612-XX-316-41-003000	612-XX-316-41-004000		
18	0.9	0.3	0.4	22	612-XX-318-41-001000	612-XX-318-41-002000	612-XX-318-41-003000	612-XX-318-41-004000		
20	1.0	0.3	0.4	20	612-XX-320-41-001000	612-XX-320-41-002000	612-XX-320-41-003000	612-XX-320-41-004000		
22	1.1	0.3	0.4	18	612-XX-322-41-001000	612-XX-322-41-002000	612-XX-322-41-003000	612-XX-322-41-004000		
24	1.2	0.3	0.4	16	612-XX-324-41-001000	612-XX-324-41-002000	612-XX-324-41-003000	612-XX-324-41-004000		
28	1.4	0.3	0.4	14	612-XX-328-41-001000	612-XX-328-41-002000	612-XX-328-41-003000	612-XX-328-41-004000		
20	1.0	0.4	0.5	20	612-XX-420-41-001000	612-XX-420-41-002000	612-XX-420-41-003000	612-XX-420-41-004000		
22	1.1	0.4	0.5	18	612-XX-422-41-001000	612-XX-422-41-002000	612-XX-422-41-003000	612-XX-422-41-004000		
24	1.2	0.4	0.5	16	612-XX-424-41-001000	612-XX-424-41-002000	612-XX-424-41-003000	612-XX-424-41-004000		
28	1.4	0.4	0.5	14	612-XX-428-41-001000	612-XX-428-41-002000	612-XX-428-41-003000	612-XX-428-41-004000		
32	1.6	0.4	0.5	12	612-XX-432-41-001000	612-XX-432-41-002000	612-XX-432-41-003000	612-XX-432-41-004000		
24	1.2	0.6	0.7	16	612-XX-624-41-001000	612-XX-624-41-002000	612-XX-624-41-003000	612-XX-624-41-004000		
28	1.4	0.6	0.7	14	612-XX-628-41-001000	612-XX-628-41-002000	612-XX-628-41-003000	612-XX-628-41-004000		
32	1.6	0.6	0.7	12	612-XX-632-41-001000	612-XX-632-41-002000	612-XX-632-41-003000	612-XX-632-41-004000		
36	1.8	0.6	0.7	11	612-XX-636-41-001000	612-XX-636-41-002000	612-XX-636-41-003000	612-XX-636-41-004000		
40	2.0	0.6	0.7	10	612-XX-640-41-001000	612-XX-640-41-002000	612-XX-640-41-003000	612-XX-640-41-004000		
42	2.1	0.6	0.7	9	612-XX-642-41-001000	612-XX-642-41-002000	612-XX-642-41-003000	612-XX-642-41-004000		
48	2.4	0.6	0.7	8	612-XX-648-41-001000	612-XX-648-41-002000	612-XX-648-41-003000	612-XX-648-41-004000		
50	2.5	0.6	0.7	8	612-XX-650-41-001000	612-XX-650-41-002000	612-XX-650-41-003000	612-XX-650-41-004000		
52	2.6	0.6	0.7	7	612-XX-652-41-001000	612-XX-652-41-002000	612-XX-652-41-003000	612-XX-652-41-004000		
50	2.5	0.9	1.0	8	612-XX-950-41-001000	612-XX-950-41-002000	612-XX-950-41-003000	612-XX-950-41-004000		
52	2.6	0.9	1.0	7	612-XX-952-41-001000	612-XX-952-41-002000	612-XX-952-41-003000	612-XX-952-41-004000		
64	3.2	0.9	1.0	6	612-XX-964-41-001000	612-XX-964-41-002000	612-XX-964-41-003000	612-XX-964-41-004000		
SPECIFY PLATING CODE XX =					13 ◆	91	93	41 ◆	43 ◆	 XX=Plating Code See to Left
Sleeve (Pin)					10 μ" Au	200 μ" Sn/Pb	200 μ" Sn/Pb	200 μ" Sn	200 μ" Sn	
Contact (Clip)					30 μ" Au	10 μ" Au	30 μ" Au	10 μ" Au	30 μ" Au	

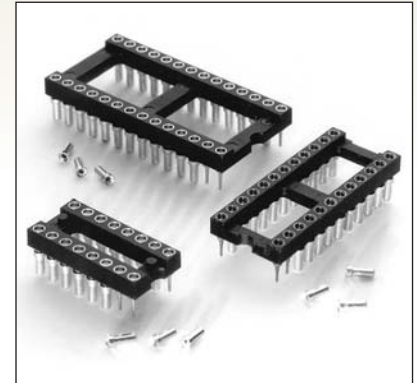


DUAL-IN-LINE SOCKETS

SERIES 614...001 • CARRIER TYPE, LOW PROFILE • OPEN FRAME



- Convenient way to load loose receptacles on a PC board
- Removable plastic carriers can be returned for reloading
- Hi-Rel, 4-finger BeCu #30 contact is rated at 3 amps. See page 253 for details
- Series 614 uses MM #1401 pins. See page 170 for details
- Insulators are high temperature thermoplastic, suitable for all soldering operations
- For Electrical, Mechanical and Environmental Data, see page 264 for details



ORDERING INFORMATION

Total number of pins				Quantity per tube	Part Number
	A	B	C		
10	0.5	0.2	0.3	40	614-XX-210-41-001000
4	0.2	0.3	0.4	102	614-XX-304-41-001000
6	0.3	0.3	0.4	67	614-XX-306-41-001000
8	0.4	0.3	0.4	50	614-XX-308-41-001000
10	0.5	0.3	0.4	40	614-XX-310-41-001000
14	0.7	0.3	0.4	28	614-XX-314-41-001000
16	0.8	0.3	0.4	25	614-XX-316-41-001000
18	0.9	0.3	0.4	22	614-XX-318-41-001000
20	1.0	0.3	0.4	20	614-XX-320-41-001000
22	1.1	0.3	0.4	18	614-XX-322-41-001000
24	1.2	0.3	0.4	16	614-XX-324-41-001000
28	1.4	0.3	0.4	14	614-XX-328-41-001000
20	1.0	0.4	0.5	20	614-XX-420-41-001000
22	1.1	0.4	0.5	18	614-XX-422-41-001000
24	1.2	0.4	0.5	16	614-XX-424-41-001000
28	1.4	0.4	0.5	14	614-XX-428-41-001000
32	1.6	0.4	0.5	12	614-XX-432-41-001000
24	1.2	0.6	0.7	16	614-XX-624-41-001000
28	1.4	0.6	0.7	14	614-XX-628-41-001000
32	1.6	0.6	0.7	12	614-XX-632-41-001000
36	1.8	0.6	0.7	11	614-XX-636-41-001000
40	2.0	0.6	0.7	10	614-XX-640-41-001000
42	2.1	0.6	0.7	9	614-XX-642-41-001000
48	2.4	0.6	0.7	8	614-XX-648-41-001000
50	2.5	0.6	0.7	8	614-XX-650-41-001000
52	2.6	0.6	0.7	7	614-XX-652-41-001000
50	2.5	0.9	1.0	8	614-XX-950-41-001000
52	2.6	0.9	1.0	7	614-XX-952-41-001000
64	3.2	0.9	1.0	6	614-XX-964-41-001000

XX=Plating Code
See Below

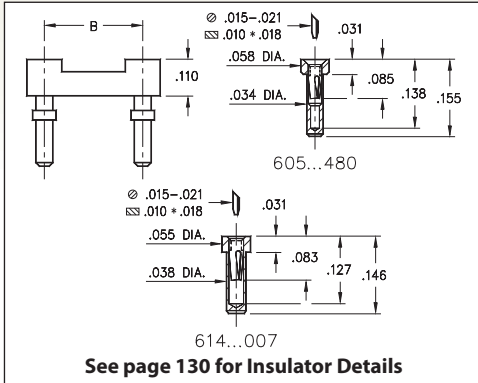


SPECIFY PLATING CODE XX =	91	93	41	43
Sleeve (Pin)	200 μ" Sn/Pb	200 μ" Sn/Pb	200 μ" Sn	200 μ" Sn
Contact (Clip)	10 μ" Au	30 μ" Au	10 μ" Au	30 μ" Au

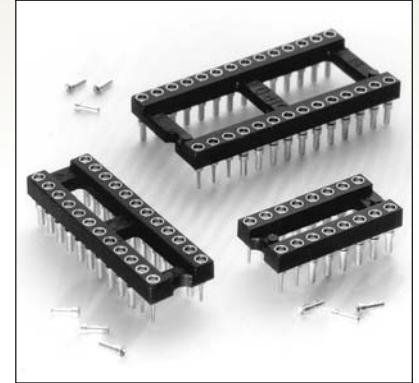


DUAL-IN-LINE SOCKETS

SERIES 605, 614 • CARRIER TYPE, LOW PROFILE • OPEN FRAME



- Low profile receptacles sit only .031" high above the board
- Removable plastic carriers can be returned for reloading
- Hi-Rel, 3-finger BeCu #11 contact is rated at 3 amps. See page 251 for details
- Series 605 and 614 use MM #1407 & #0548 pins. See page 157 for details
- Insulators are high temperature thermoplastic, suitable for all soldering operations
- For Electrical, Mechanical and Environmental Data, see page 264 for details



Total number of pins				Quantity per tube	ORDERING INFORMATION				
	A	B	C		Length = .146 (.039 Min. Mounting Hole)		Length = .155 (.035 Min. Mounting Hole)		
10	0.5	0.2	0.3	40	614-XX-210-31-007000		605-XX-210-11-480000		
4	0.2	0.3	0.4	102	614-XX-304-31-007000		605-XX-304-11-480000		
6	0.3	0.3	0.4	68	614-XX-306-31-007000		605-XX-306-11-480000		
8	0.4	0.3	0.4	50	614-XX-308-31-007000		605-XX-308-11-480000		
10	0.5	0.3	0.4	40	614-XX-310-31-007000		605-XX-310-11-480000		
14	0.7	0.3	0.4	28	614-XX-314-31-007000		605-XX-314-11-480000		
16	0.8	0.3	0.4	25	614-XX-316-31-007000		605-XX-316-11-480000		
18	0.9	0.3	0.4	22	614-XX-318-31-007000		605-XX-318-11-480000		
20	1.0	0.3	0.4	20	614-XX-320-31-007000		605-XX-320-11-480000		
22	1.1	0.3	0.4	18	614-XX-322-31-007000		605-XX-322-11-480000		
24	1.2	0.3	0.4	16	614-XX-324-31-007000		605-XX-324-11-480000		
28	1.4	0.3	0.4	14	614-XX-328-31-007000		605-XX-328-11-480000		
20	1.0	0.4	0.5	20	614-XX-420-31-007000		605-XX-420-11-480000		
22	1.1	0.4	0.5	18	614-XX-422-31-007000		605-XX-422-11-480000		
24	1.2	0.4	0.5	16	614-XX-424-31-007000		605-XX-424-11-480000		
28	1.4	0.4	0.5	14	614-XX-428-31-007000		605-XX-428-11-480000		
32	1.6	0.4	0.5	12	614-XX-432-31-007000		605-XX-432-11-480000		
24	1.2	0.6	0.7	16	614-XX-624-31-007000		605-XX-624-11-480000		
28	1.4	0.6	0.7	14	614-XX-628-31-007000		605-XX-628-11-480000		
32	1.6	0.6	0.7	12	614-XX-632-31-007000		605-XX-632-11-480000		
36	1.8	0.6	0.7	11	614-XX-636-31-007000		605-XX-636-11-480000		
40	2.0	0.6	0.7	10	614-XX-640-31-007000		605-XX-640-11-480000		
42	2.1	0.6	0.7	9	614-XX-642-31-007000		605-XX-642-11-480000		
48	2.4	0.6	0.7	8	614-XX-648-31-007000		605-XX-648-11-480000		
50	2.5	0.6	0.7	8	614-XX-650-31-007000		605-XX-650-11-480000		
52	2.6	0.6	0.7	7	614-XX-652-31-007000		605-XX-652-11-480000		
50	2.5	0.9	1.0	8	614-XX-950-31-007000		605-XX-950-11-480000		
52	2.6	0.9	1.0	7	614-XX-952-31-007000		605-XX-952-11-480000		
64	3.2	0.9	1.0	6	614-XX-964-31-007000		605-XX-964-11-480000		
SPECIFY PLATING CODE XX =					91	93	41	43	
Sleeve (Pin)					200 μ" Sn/Pb	200 μ" Sn/Pb	200 μ" Sn	200 μ" Sn	
Contact (Clip)					10 μ" Au	30 μ" Au	10 μ" Au	30 μ" Au	

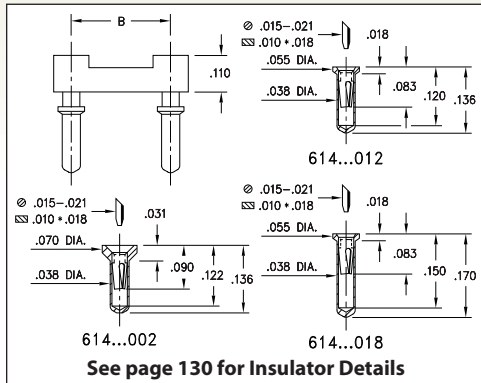


XX=Plating Code
See Below

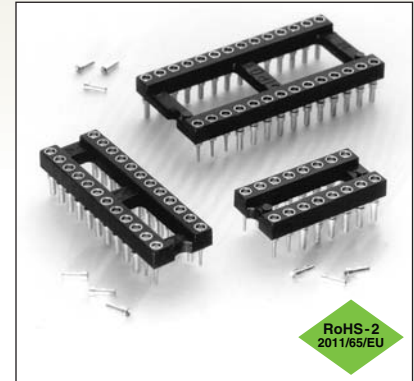


DUAL-IN-LINE SOCKETS

SERIES 614 • CARRIER TYPE, ULTRA LOW PROFILE • OPEN FRAME



- Ultra low profile receptacles sit only .018" to .031" high above the board
- Removable plastic carriers can be returned for reloading
- Hi-Rel, 3-finger BeCu #11 contact is rated at 3 amps. See page 251 for details
- Series 614 uses MM #0552-1, #0442-0, #0552-2 pins. See pages 157 and 158 for details
- Insulators are high temperature thermoplastic, suitable for all soldering operations
- For Electrical, Mechanical and Environmental Data, see page 264 for details

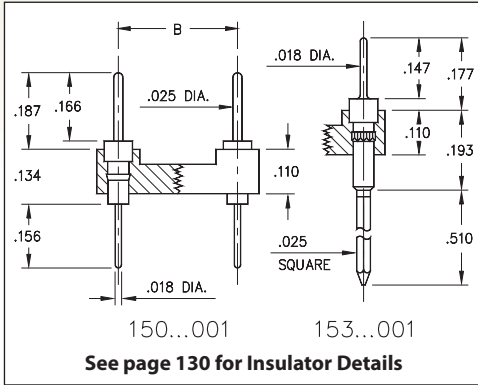


Total number of pins	Carrier Type			Quantity per tube	ORDERING INFORMATION			
					Length = .136	Length = .136	Length = .170	
	A	B	C		(.039 Min. Mounting Hole)	(.039 Min. Mounting Hole)	(.039 Min. Mounting Hole)	
10	0.5	0.2	0.3	40	614-XX-210-31-012000	614-XX-210-31-002000	614-XX-210-31-018000	
4	0.2	0.3	0.4	102	614-XX-304-31-012000	614-XX-304-31-002000	614-XX-304-31-018000	
6	0.3	0.3	0.4	67	614-XX-306-31-012000	614-XX-306-31-002000	614-XX-306-31-018000	
8	0.4	0.3	0.4	50	614-XX-308-31-012000	614-XX-308-31-002000	614-XX-308-31-018000	
10	0.5	0.3	0.4	40	614-XX-310-31-012000	614-XX-310-31-002000	614-XX-310-31-018000	
14	0.7	0.3	0.4	28	614-XX-314-31-012000	614-XX-314-31-002000	614-XX-314-31-018000	
16	0.8	0.3	0.4	25	614-XX-316-31-012000	614-XX-316-31-002000	614-XX-316-31-018000	
18	0.9	0.3	0.4	22	614-XX-318-31-012000	614-XX-318-31-002000	614-XX-318-31-018000	
20	1.0	0.3	0.4	20	614-XX-320-31-012000	614-XX-320-31-002000	614-XX-320-31-018000	
22	1.1	0.3	0.4	18	614-XX-322-31-012000	614-XX-322-31-002000	614-XX-322-31-018000	
24	1.2	0.3	0.4	16	614-XX-324-31-012000	614-XX-324-31-002000	614-XX-324-31-018000	
28	1.4	0.3	0.4	14	614-XX-328-31-012000	614-XX-328-31-002000	614-XX-328-31-018000	
20	1.0	0.4	0.5	20	614-XX-420-31-012000	614-XX-420-31-002000	614-XX-420-31-018000	
22	1.1	0.4	0.5	18	614-XX-422-31-012000	614-XX-422-31-002000	614-XX-422-31-018000	
24	1.2	0.4	0.5	16	614-XX-424-31-012000	614-XX-424-31-002000	614-XX-424-31-018000	
28	1.4	0.4	0.5	14	614-XX-428-31-012000	614-XX-428-31-002000	614-XX-428-31-018000	
32	1.6	0.4	0.5	12	614-XX-432-31-012000	614-XX-432-31-002000	614-XX-432-31-018000	
24	1.2	0.6	0.7	16	614-XX-624-31-012000	614-XX-624-31-002000	614-XX-624-31-018000	
28	1.4	0.6	0.7	14	614-XX-628-31-012000	614-XX-628-31-002000	614-XX-628-31-018000	
32	1.6	0.6	0.7	12	614-XX-632-31-012000	614-XX-632-31-002000	614-XX-632-31-018000	
36	1.8	0.6	0.7	11	614-XX-636-31-012000	614-XX-636-31-002000	614-XX-636-31-018000	
40	2.0	0.6	0.7	10	614-XX-640-31-012000	614-XX-640-31-002000	614-XX-640-31-018000	
42	2.1	0.6	0.7	9	614-XX-642-31-012000	614-XX-642-31-002000	614-XX-642-31-018000	
48	2.4	0.6	0.7	8	614-XX-648-31-012000	614-XX-648-31-002000	614-XX-648-31-018000	
50	2.5	0.6	0.7	8	614-XX-650-31-012000	614-XX-650-31-002000	614-XX-650-31-018000	
52	2.6	0.6	0.7	7	614-XX-652-31-012000	614-XX-652-31-002000	614-XX-652-31-018000	
50	2.5	0.9	1.0	8	614-XX-950-31-012000	614-XX-950-31-002000	614-XX-950-31-018000	
52	2.6	0.9	1.0	7	614-XX-952-31-012000	614-XX-952-31-002000	614-XX-952-31-018000	
64	3.2	0.9	1.0	6	614-XX-964-31-012000	614-XX-964-31-002000	614-XX-964-31-018000	
SPECIFY PLATING CODE XX =					91	93	41 ◆	43 ◆
Sleeve (Pin)					200 μ" Sn/Pb	200 μ" Sn/Pb	200 μ" Sn	200 μ" Sn
Contact (Clip)					10 μ" Au	30 μ" Au	10 μ" Au	30 μ" Au
					XX=Plating Code See to Left			

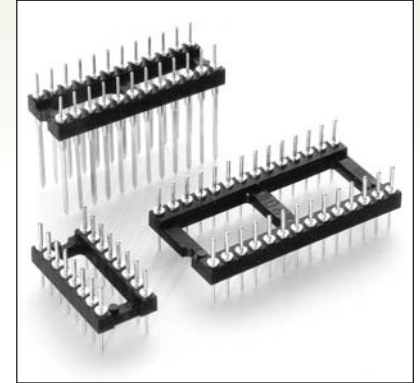


DUAL-IN-LINE HEADERS

SERIES 150, 153 • SOLDER TAIL AND WRAPOST • OPEN FRAME



- Series 150 DIL Headers are equipped with .025" dia. pins MM #0290. See page 215 for details
- Series 153 DIL Headers have 3-level wraposts MM #5301. See page 227 for details
- Both series have .018" dia. solder tails which are pluggable into standard contacts
- Insulators are high temperature thermoplastic, suitable for all soldering operations
- For Electrical, Mechanical and Environmental Data, see page 264 for details



Total number of pins	Pin Spacing (mm)			Quantity per tube	ORDERING INFORMATION				
	A	B	C		Solder Tail	3 Level Wrapost			
10	0.5	0.2	0.3	40	150-XX-210-00-001000	153-XX-210-00-001000			
4	0.2	0.3	0.4	102	150-XX-304-00-001000	153-XX-304-00-001000			
6	0.3	0.3	0.4	67	150-XX-306-00-001000	153-XX-306-00-001000			
8	0.4	0.3	0.4	50	150-XX-308-00-001000	153-XX-308-00-001000			
10	0.5	0.3	0.4	40	150-XX-310-00-001000	153-XX-310-00-001000			
14	0.7	0.3	0.4	29	150-XX-314-00-001000	153-XX-314-00-001000			
16	0.8	0.3	0.4	25	150-XX-316-00-001000	153-XX-316-00-001000			
18	0.9	0.3	0.4	22	150-XX-318-00-001000	153-XX-318-00-001000			
20	1.0	0.3	0.4	20	150-XX-320-00-001000	153-XX-320-00-001000			
22	1.1	0.3	0.4	18	150-XX-322-00-001000	153-XX-322-00-001000			
24	1.2	0.3	0.4	16	150-XX-324-00-001000	153-XX-324-00-001000			
28	1.4	0.3	0.4	14	150-XX-328-00-001000	153-XX-328-00-001000			
20	1.0	0.4	0.5	20	150-XX-420-00-001000	153-XX-420-00-001000			
22	1.1	0.4	0.5	18	150-XX-422-00-001000	153-XX-422-00-001000			
24	1.2	0.4	0.5	16	150-XX-424-00-001000	153-XX-424-00-001000			
28	1.4	0.4	0.5	14	150-XX-428-00-001000	153-XX-428-00-001000			
32	1.6	0.4	0.5	12	150-XX-432-00-001000	153-XX-432-00-001000			
24	1.2	0.6	0.7	16	150-XX-624-00-001000	153-XX-624-00-001000			
28	1.4	0.6	0.7	14	150-XX-628-00-001000	153-XX-628-00-001000			
32	1.6	0.6	0.7	12	150-XX-632-00-001000	153-XX-632-00-001000			
36	1.8	0.6	0.7	11	150-XX-636-00-001000	153-XX-636-00-001000			
40	2.0	0.6	0.7	10	150-XX-640-00-001000	153-XX-640-00-001000			
42	2.1	0.6	0.7	9	150-XX-642-00-001000	153-XX-642-00-001000			
48	2.4	0.6	0.7	8	150-XX-648-00-001000	153-XX-648-00-001000			
50	2.5	0.6	0.7	8	150-XX-650-00-001000	153-XX-650-00-001000			
52	2.6	0.6	0.7	7	150-XX-652-00-001000	153-XX-652-00-001000			
50	2.5	0.9	1.0	8	150-XX-950-00-001000	153-XX-950-00-001000			
52	2.6	0.9	1.0	7	150-XX-952-00-001000	153-XX-952-00-001000			
64	3.2	0.9	1.0	6	150-XX-964-00-001000	153-XX-964-00-001000			
					SPECIFY PLATING CODE XX =	10 ◆	90	40 ◆	
					Pin Plating	10 μ" Au	200 μ" Sn/Pb	200 μ" Sn	

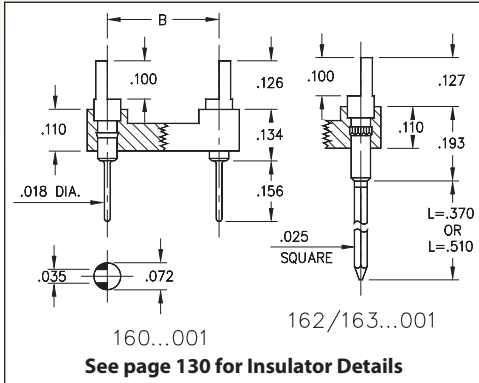


XX=Plating Code
See Below



DUAL-IN-LINE HEADERS

SERIES 160, 162, 163 • SLOTTED, SOLDER TAIL & WRAPOST • OPEN FRAME



- Series 160, 162, and 163 DIL Headers are equipped with slotted heads to accept wires or component leads
- Series 160 terminations are pluggable .018" dia. solder tails MM #0282, See page 216 for details. Series 162 and 163 terminations are two or three level wraposts MM #1106. See page 228 for details
- Insulators are high temperature thermoplastic, suitable for all soldering operations
- For Electrical, Mechanical and Environmental Data, see page 264 for details

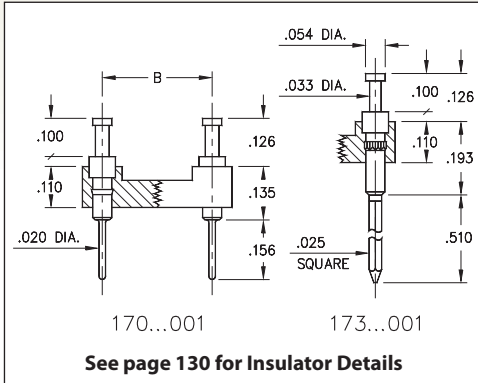


Total number of pins				Quantity per tube	ORDERING INFORMATION					
	A	B	C		Solder Tail	L = .370 (2 Level Wrapost)	L = .510 (3 Level Wrapost)			
10	0.5	0.2	0.3	41	160-XX-210-00-001000	162-XX-210-00-001000	163-XX-210-00-001000			
4	0.2	0.3	0.4	102	160-XX-304-00-001000	162-XX-304-00-001000	163-XX-304-00-001000			
6	0.3	0.3	0.4	67	160-XX-306-00-001000	162-XX-306-00-001000	163-XX-306-00-001000			
8	0.4	0.3	0.4	50	160-XX-308-00-001000	162-XX-308-00-001000	163-XX-308-00-001000			
10	0.5	0.3	0.4	40	160-XX-310-00-001000	162-XX-310-00-001000	163-XX-310-00-001000			
14	0.7	0.3	0.4	28	160-XX-314-00-001000	162-XX-314-00-001000	163-XX-314-00-001000			
16	0.8	0.3	0.4	25	160-XX-316-00-001000	162-XX-316-00-001000	163-XX-316-00-001000			
18	0.9	0.3	0.4	22	160-XX-318-00-001000	162-XX-318-00-001000	163-XX-318-00-001000			
20	1.0	0.3	0.4	20	160-XX-320-00-001000	162-XX-320-00-001000	163-XX-320-00-001000			
22	1.1	0.3	0.4	18	160-XX-322-00-001000	162-XX-322-00-001000	163-XX-322-00-001000			
24	1.2	0.3	0.4	16	160-XX-324-00-001000	162-XX-324-00-001000	163-XX-324-00-001000			
28	1.4	0.3	0.4	14	160-XX-328-00-001000	162-XX-328-00-001000	163-XX-328-00-001000			
20	1.0	0.4	0.5	20	160-XX-420-00-001000	162-XX-420-00-001000	163-XX-420-00-001000			
22	1.1	0.4	0.5	18	160-XX-422-00-001000	162-XX-422-00-001000	163-XX-422-00-001000			
24	1.2	0.4	0.5	16	160-XX-424-00-001000	162-XX-424-00-001000	163-XX-424-00-001000			
28	1.4	0.4	0.5	14	160-XX-428-00-001000	162-XX-428-00-001000	163-XX-428-00-001000			
32	1.6	0.4	0.5	12	160-XX-432-00-001000	162-XX-432-00-001000	163-XX-432-00-001000			
24	1.2	0.6	0.7	16	160-XX-624-00-001000	162-XX-624-00-001000	163-XX-624-00-001000			
28	1.4	0.6	0.7	14	160-XX-628-00-001000	162-XX-628-00-001000	163-XX-628-00-001000			
32	1.6	0.6	0.7	12	160-XX-632-00-001000	162-XX-632-00-001000	163-XX-632-00-001000			
36	1.8	0.6	0.7	11	160-XX-636-00-001000	162-XX-636-00-001000	163-XX-636-00-001000			
40	2.0	0.6	0.7	10	160-XX-640-00-001000	162-XX-640-00-001000	163-XX-640-00-001000			
42	2.1	0.6	0.7	9	160-XX-642-00-001000	162-XX-642-00-001000	163-XX-642-00-001000			
48	2.4	0.6	0.7	8	160-XX-648-00-001000	162-XX-648-00-001000	163-XX-648-00-001000			
50	2.5	0.6	0.7	8	160-XX-650-00-001000	162-XX-650-00-001000	163-XX-650-00-001000			
52	2.6	0.6	0.7	7	160-XX-652-00-001000	162-XX-652-00-001000	163-XX-652-00-001000			
50	2.5	0.9	1.0	8	160-XX-950-00-001000	162-XX-950-00-001000	163-XX-950-00-001000			
52	2.6	0.9	1.0	7	160-XX-952-00-001000	162-XX-952-00-001000	163-XX-952-00-001000			
64	3.2	0.9	1.0	6	160-XX-964-00-001000	162-XX-964-00-001000	163-XX-964-00-001000			
<div style="border: 1px solid black; border-radius: 50%; padding: 5px; display: inline-block;"> XX=Plating Code See to Right </div>					SPECIFY PLATING CODE XX =		10 ◆	90	40 ◆	
					Pin Plating	10 μ" Au	200 μ" Sn/Pb	200 μ" Sn		

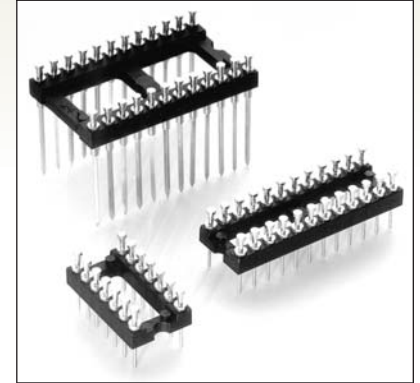


DUAL-IN-LINE HEADERS

SERIES 170, 173 • TURRET, SOLDER TAIL & WRAPOST • OPEN FRAME



- Series 170 & 173 DIL headers are equipped with turret heads for wiring applications
- Series 170 terminations are pluggable .020" dia. solder tails MM #0700, See page 216 for details. Series 173 terminations are three level wraposts MM #0730. See page 228 for details
- Insulators are high temperature thermoplastic, suitable for all soldering operations
- For Electrical, Mechanical and Environmental Data, see page 264 for details



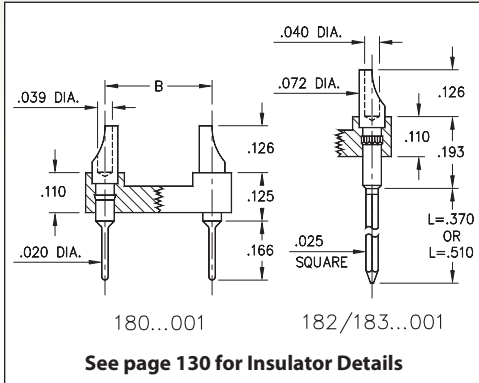
Total number of pins				Quantity per tube	ORDERING INFORMATION						
	A	B	C		Solder Tail	3 Level Wrapost					
10	0.5	0.2	0.3	41	170-XX-210-00-001000	173-XX-210-00-001000					
4	0.2	0.3	0.4	102	170-XX-304-00-001000	173-XX-304-00-001000					
6	0.3	0.3	0.4	67	170-XX-306-00-001000	173-XX-306-00-001000					
8	0.4	0.3	0.4	50	170-XX-308-00-001000	173-XX-308-00-001000					
10	0.5	0.3	0.4	40	170-XX-310-00-001000	173-XX-310-00-001000					
14	0.7	0.3	0.4	28	170-XX-314-00-001000	173-XX-314-00-001000					
16	0.8	0.3	0.4	25	170-XX-316-00-001000	173-XX-316-00-001000					
18	0.9	0.3	0.4	22	170-XX-318-00-001000	173-XX-318-00-001000					
20	1.0	0.3	0.4	20	170-XX-320-00-001000	173-XX-320-00-001000					
22	1.1	0.3	0.4	18	170-XX-322-00-001000	173-XX-322-00-001000					
24	1.2	0.3	0.4	16	170-XX-324-00-001000	173-XX-324-00-001000					
28	1.4	0.3	0.4	14	170-XX-328-00-001000	173-XX-328-00-001000					
20	1.0	0.4	0.5	20	170-XX-420-00-001000	173-XX-420-00-001000					
22	1.1	0.4	0.5	18	170-XX-422-00-001000	173-XX-422-00-001000					
24	1.2	0.4	0.5	16	170-XX-424-00-001000	173-XX-424-00-001000					
28	1.4	0.4	0.5	14	170-XX-428-00-001000	173-XX-428-00-001000					
32	1.6	0.4	0.5	12	170-XX-432-00-001000	173-XX-432-00-001000					
24	1.2	0.6	0.7	16	170-XX-624-00-001000	173-XX-624-00-001000					
28	1.4	0.6	0.7	14	170-XX-628-00-001000	173-XX-628-00-001000					
32	1.6	0.6	0.7	12	170-XX-632-00-001000	173-XX-632-00-001000					
36	1.8	0.6	0.7	11	170-XX-636-00-001000	173-XX-636-00-001000					
40	2.0	0.6	0.7	10	170-XX-640-00-001000	173-XX-640-00-001000					
42	2.1	0.6	0.7	9	170-XX-642-00-001000	173-XX-642-00-001000					
48	2.4	0.6	0.7	8	170-XX-648-00-001000	173-XX-648-00-001000					
50	2.5	0.6	0.7	8	170-XX-650-00-001000	173-XX-650-00-001000					
52	2.6	0.6	0.7	7	170-XX-652-00-001000	173-XX-652-00-001000					
50	2.5	0.9	1.0	8	170-XX-950-00-001000	173-XX-950-00-001000					
52	2.6	0.9	1.0	7	170-XX-952-00-001000	173-XX-952-00-001000					
64	3.2	0.9	1.0	6	170-XX-964-00-001000	173-XX-964-00-001000					
					SPECIFY PLATING CODE XX =			10 ◆	90	40 ◆	
					Pin Plating	10 μ" Au		200 μ" Sn/Pb	200 μ" Sn		

XX=Plating Code
See Below



DUAL-IN-LINE HEADERS

SERIES 180, 182, 183 • SOLDER CUP, SOLDER TAIL & WRAPOST • OPEN FRAME



- Series 180, 182, and 183 DIL Headers are equipped with solder cups for wiring applications
- Series 180 terminations are pluggable .020" dia. solder tails MM #8000, See page 216 for details. Series 182 and 183 terminations are two or three level wraposts MM #8301. See page 227 for details
- Insulators are high temperature thermoplastic, suitable for all soldering operations
- For Electrical, Mechanical and Environmental Data, see page 264 for details

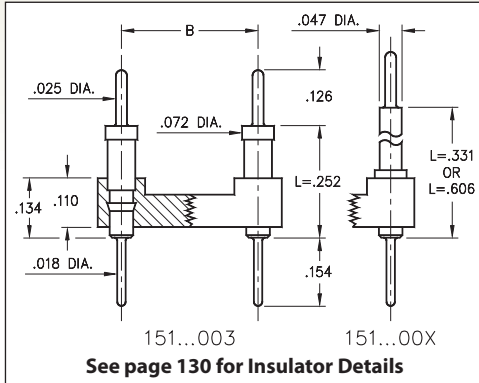


Total number of pins				Quantity per tube	ORDERING INFORMATION				
	A	B	C		Solder Tail	L = .370 (2 Level Wrapost)	L = .510 (3 Level Wrapost)		
10	0.5	0.2	0.3	41	180-10-210-00-001000	182-10-210-00-001000	183-10-210-00-001000		
4	0.2	0.3	0.4	102	180-10-304-00-001000	182-10-304-00-001000	183-10-304-00-001000		
6	0.3	0.3	0.4	67	180-10-306-00-001000	182-10-306-00-001000	183-10-306-00-001000		
8	0.4	0.3	0.4	50	180-10-308-00-001000	182-10-308-00-001000	183-10-308-00-001000		
10	0.5	0.3	0.4	40	180-10-310-00-001000	182-10-310-00-001000	183-10-310-00-001000		
14	0.7	0.3	0.4	28	180-10-314-00-001000	182-10-314-00-001000	183-10-314-00-001000		
16	0.8	0.3	0.4	25	180-10-316-00-001000	182-10-316-00-001000	183-10-316-00-001000		
18	0.9	0.3	0.4	22	180-10-318-00-001000	182-10-318-00-001000	183-10-318-00-001000		
20	1.0	0.3	0.4	20	180-10-320-00-001000	182-10-320-00-001000	183-10-320-00-001000		
22	1.1	0.3	0.4	18	180-10-322-00-001000	182-10-322-00-001000	183-10-322-00-001000		
24	1.2	0.3	0.4	16	180-10-324-00-001000	182-10-324-00-001000	183-10-324-00-001000		
28	1.4	0.3	0.4	14	180-10-328-00-001000	182-10-328-00-001000	183-10-328-00-001000		
20	1.0	0.4	0.5	20	180-10-420-00-001000	182-10-420-00-001000	183-10-420-00-001000		
22	1.1	0.4	0.5	18	180-10-422-00-001000	182-10-422-00-001000	183-10-422-00-001000		
24	1.2	0.4	0.5	16	180-10-424-00-001000	182-10-424-00-001000	183-10-424-00-001000		
28	1.4	0.4	0.5	14	180-10-428-00-001000	182-10-428-00-001000	183-10-428-00-001000		
32	1.6	0.4	0.5	12	180-10-432-00-001000	182-10-432-00-001000	183-10-432-00-001000		
24	1.2	0.6	0.7	16	180-10-624-00-001000	182-10-624-00-001000	183-10-624-00-001000		
28	1.4	0.6	0.7	14	180-10-628-00-001000	182-10-628-00-001000	183-10-628-00-001000		
32	1.6	0.6	0.7	12	180-10-632-00-001000	182-10-632-00-001000	183-10-632-00-001000		
36	1.8	0.6	0.7	11	180-10-636-00-001000	182-10-636-00-001000	183-10-636-00-001000		
40	2.0	0.6	0.7	10	180-10-640-00-001000	182-10-640-00-001000	183-10-640-00-001000		
42	2.1	0.6	0.7	9	180-10-642-00-001000	182-10-642-00-001000	183-10-642-00-001000		
48	2.4	0.6	0.7	8	180-10-648-00-001000	182-10-648-00-001000	183-10-648-00-001000		
50	2.5	0.6	0.7	8	180-10-650-00-001000	182-10-650-00-001000	183-10-650-00-001000		
52	2.6	0.6	0.7	7	180-10-652-00-001000	182-10-652-00-001000	183-10-652-00-001000		
50	2.5	0.9	1.0	8	180-10-950-00-001000	182-10-950-00-001000	183-10-950-00-001000		
52	2.6	0.9	1.0	7	180-10-952-00-001000	182-10-952-00-001000	183-10-952-00-001000		
64	3.2	0.9	1.0	6	180-10-964-00-001000	182-10-964-00-001000	183-10-964-00-001000		
<div style="border: 1px solid black; border-radius: 50%; padding: 5px; display: inline-block;"> XX=Plating Code See to Right </div>					SPECIFY PLATING CODE XX =		10		
					Pin Plating		10 μ" Au		



DUAL-IN-LINE HEADERS

SERIES 151...003, 004, 005 • INTERCONNECT • OPEN FRAME



- Series 151 DIL Headers combine .025" dia. tails with pluggable .018" dia. solder tails
- Series:
 - 151...003 uses MM #5503 pins
 - 151...004 uses MM #5504 pins
 - 151...005 uses MM #5505 pins
 See page 214 for details
- Insulators are high temperature thermoplastic, suitable for all soldering operations
- For Electrical, Mechanical and Environmental Data, see page 264 for details

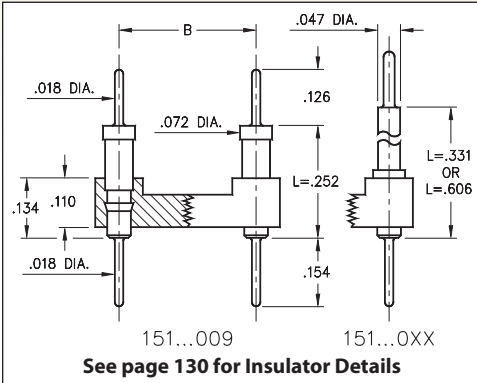


Total number of pins				Quantity per tube	ORDERING INFORMATION					
	A	B	C		L = .252	L = .331	L = .606			
10	0.5	0.2	0.3	41	151-10-210-00-003000	151-10-210-00-004000	151-10-210-00-005000			
4	0.2	0.3	0.4	102	151-10-304-00-003000	151-10-304-00-004000	151-10-304-00-005000			
6	0.3	0.3	0.4	67	151-10-306-00-003000	151-10-306-00-004000	151-10-306-00-005000			
8	0.4	0.3	0.4	50	151-10-308-00-003000	151-10-308-00-004000	151-10-308-00-005000			
10	0.5	0.3	0.4	40	151-10-310-00-003000	151-10-310-00-004000	151-10-310-00-005000			
14	0.7	0.3	0.4	28	151-10-314-00-003000	151-10-314-00-004000	151-10-314-00-005000			
16	0.8	0.3	0.4	25	151-10-316-00-003000	151-10-316-00-004000	151-10-316-00-005000			
18	0.9	0.3	0.4	22	151-10-318-00-003000	151-10-318-00-004000	151-10-318-00-005000			
20	1.0	0.3	0.4	20	151-10-320-00-003000	151-10-320-00-004000	151-10-320-00-005000			
22	1.1	0.3	0.4	18	151-10-322-00-003000	151-10-322-00-004000	151-10-322-00-005000			
24	1.2	0.3	0.4	16	151-10-324-00-003000	151-10-324-00-004000	151-10-324-00-005000			
28	1.4	0.3	0.4	14	151-10-328-00-003000	151-10-328-00-004000	151-10-328-00-005000			
20	1.0	0.4	0.5	20	151-10-420-00-003000	151-10-420-00-004000	151-10-420-00-005000			
22	1.1	0.4	0.5	18	151-10-422-00-003000	151-10-422-00-004000	151-10-422-00-005000			
24	1.2	0.4	0.5	16	151-10-424-00-003000	151-10-424-00-004000	151-10-424-00-005000			
28	1.4	0.4	0.5	14	151-10-428-00-003000	151-10-428-00-004000	151-10-428-00-005000			
32	1.6	0.4	0.5	12	151-10-432-00-003000	151-10-432-00-004000	151-10-432-00-005000			
24	1.2	0.6	0.7	16	151-10-624-00-003000	151-10-624-00-004000	151-10-624-00-005000			
28	1.4	0.6	0.7	14	151-10-628-00-003000	151-10-628-00-004000	151-10-628-00-005000			
32	1.6	0.6	0.7	12	151-10-632-00-003000	151-10-632-00-004000	151-10-632-00-005000			
36	1.8	0.6	0.7	11	151-10-636-00-003000	151-10-636-00-004000	151-10-636-00-005000			
40	2.0	0.6	0.7	10	151-10-640-00-003000	151-10-640-00-004000	151-10-640-00-005000			
42	2.1	0.6	0.7	9	151-10-642-00-003000	151-10-642-00-004000	151-10-642-00-005000			
48	2.4	0.6	0.7	8	151-10-648-00-003000	151-10-648-00-004000	151-10-648-00-005000			
50	2.5	0.6	0.7	8	151-10-650-00-003000	151-10-650-00-004000	151-10-650-00-005000			
52	2.6	0.6	0.7	7	151-10-652-00-003000	151-10-652-00-004000	151-10-652-00-005000			
50	2.5	0.9	1.0	8	151-10-950-00-003000	151-10-950-00-004000	151-10-950-00-005000			
52	2.6	0.9	1.0	7	151-10-952-00-003000	151-10-952-00-004000	151-10-952-00-005000			
64	3.2	0.9	1.0	6	151-10-964-00-003000	151-10-964-00-004000	151-10-964-00-005000			
XX=Plating Code See to Right					SPECIFY PLATING CODE XX =			10		
					Pin Plating			10 μ" Au		



DUAL-IN-LINE HEADERS

SERIES 151...009, 010, 011 • INTERCONNECT • OPEN FRAME



- Series 151 DIL Headers feature .018" dia. solder tails at both ends making these headers entirely pluggable
- Series:
 - 151...009 uses MM #5509 pins
 - 151...010 uses MM #5510 pins
 - 151...011 uses MM #5511 pins
 See pages 212 and 214 for details
- Insulators are high temperature thermoplastic, suitable for all soldering operations
- For Electrical, Mechanical and Environmental Data, see page 264 for details

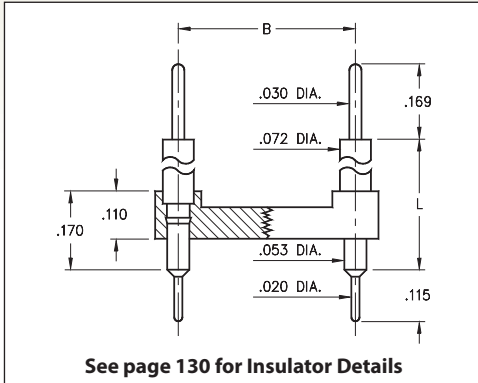


Total number of pins				Quantity per tube	ORDERING INFORMATION				
	A	B	C		L = .252	L = .331	L = .606		
10	0.5	0.2	0.3	41	151-10-210-00-009000	151-10-210-00-010000	151-10-210-00-011000		
4	0.2	0.3	0.4	102	151-10-304-00-009000	151-10-304-00-010000	151-10-304-00-011000		
6	0.3	0.3	0.4	67	151-10-306-00-009000	151-10-306-00-010000	151-10-306-00-011000		
8	0.4	0.3	0.4	50	151-10-308-00-009000	151-10-308-00-010000	151-10-308-00-011000		
10	0.5	0.3	0.4	40	151-10-310-00-009000	151-10-310-00-010000	151-10-310-00-011000		
14	0.7	0.3	0.4	28	151-10-314-00-009000	151-10-314-00-010000	151-10-314-00-011000		
16	0.8	0.3	0.4	25	151-10-316-00-009000	151-10-316-00-010000	151-10-316-00-011000		
18	0.9	0.3	0.4	22	151-10-318-00-009000	151-10-318-00-010000	151-10-318-00-011000		
20	1.0	0.3	0.4	20	151-10-320-00-009000	151-10-320-00-010000	151-10-320-00-011000		
22	1.1	0.3	0.4	18	151-10-322-00-009000	151-10-322-00-010000	151-10-322-00-011000		
24	1.2	0.3	0.4	16	151-10-324-00-009000	151-10-324-00-010000	151-10-324-00-011000		
28	1.4	0.3	0.4	14	151-10-328-00-009000	151-10-328-00-010000	151-10-328-00-011000		
20	1.0	0.4	0.5	20	151-10-420-00-009000	151-10-420-00-010000	151-10-420-00-011000		
22	1.1	0.4	0.5	18	151-10-422-00-009000	151-10-422-00-010000	151-10-422-00-011000		
24	1.2	0.4	0.5	16	151-10-424-00-009000	151-10-424-00-010000	151-10-424-00-011000		
28	1.4	0.4	0.5	14	151-10-428-00-009000	151-10-428-00-010000	151-10-428-00-011000		
32	1.6	0.4	0.5	12	151-10-432-00-009000	151-10-432-00-010000	151-10-432-00-011000		
24	1.2	0.6	0.7	16	151-10-624-00-009000	151-10-624-00-010000	151-10-624-00-011000		
28	1.4	0.6	0.7	14	151-10-628-00-009000	151-10-628-00-010000	151-10-628-00-011000		
32	1.6	0.6	0.7	12	151-10-632-00-009000	151-10-632-00-010000	151-10-632-00-011000		
36	1.8	0.6	0.7	11	151-10-636-00-009000	151-10-636-00-010000	151-10-636-00-011000		
40	2.0	0.6	0.7	10	151-10-640-00-009000	151-10-640-00-010000	151-10-640-00-011000		
42	2.1	0.6	0.7	9	151-10-642-00-009000	151-10-642-00-010000	151-10-642-00-011000		
48	2.4	0.6	0.7	8	151-10-648-00-009000	151-10-648-00-010000	151-10-648-00-011000		
50	2.5	0.6	0.7	8	151-10-650-00-009000	151-10-650-00-010000	151-10-650-00-011000		
52	2.6	0.6	0.7	7	151-10-652-00-009000	151-10-652-00-010000	151-10-652-00-011000		
50	2.5	0.9	1.0	8	151-10-950-00-009000	151-10-950-00-010000	151-10-950-00-011000		
52	2.6	0.9	1.0	7	151-10-952-00-009000	151-10-952-00-010000	151-10-952-00-011000		
64	3.2	0.9	1.0	6	151-10-964-00-009000	151-10-964-00-010000	151-10-964-00-011000		
XX=Plating Code See to Right					SPECIFY PLATING CODE XX =		10 ◆		
					Pin Plating		10 μ" Au		

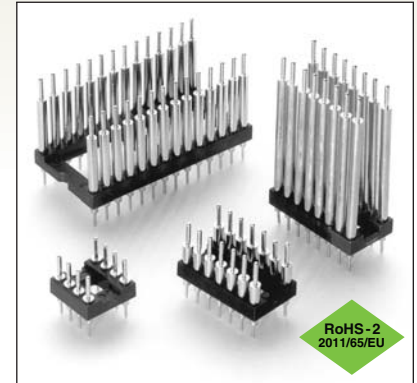


DUAL-IN-LINE HEADERS

SERIES 134 • INTERCONNECT • OPEN FRAME



- Series 134 DIL Headers combine .030" diameter pins with pluggable .020" diameter solder tails
- Series:
 - 134...020 uses MM #3402 pins
 - 134...010 uses MM #3401 pins
 - 134...050 uses MM #3405 pins
 - 134...000 uses MM #3400 pins
 - 134...100 uses MM #3410 pins
 See page 215 for details
- Insulators are high temperature thermoplastic, suitable for all soldering operations
- For Electrical, Mechanical and Environmental Data, see page 264 for details

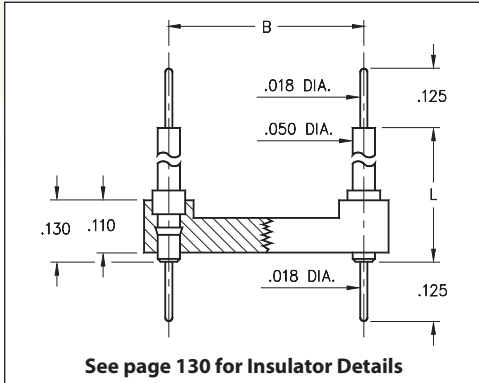


Total number of pins				Quantity per tube	ORDERING INFORMATION					
	A	B	C		L = .190	L = .236	L = .315	L = .605	L = 1.070	
10	0.5	0.2	0.3	41	134-10-210-00-020000	134-10-210-00-010000	134-10-210-00-050000	134-10-210-00-000000	134-10-210-00-100000	
4	0.2	0.3	0.4	102	134-10-304-00-020000	134-10-304-00-010000	134-10-304-00-050000	134-10-304-00-000000	134-10-304-00-100000	
6	0.3	0.3	0.4	67	134-10-306-00-020000	134-10-306-00-010000	134-10-306-00-050000	134-10-306-00-000000	134-10-306-00-100000	
8	0.4	0.3	0.4	50	134-10-308-00-020000	134-10-308-00-010000	134-10-308-00-050000	134-10-308-00-000000	134-10-308-00-100000	
10	0.5	0.3	0.4	40	134-10-310-00-020000	134-10-310-00-010000	134-10-310-00-050000	134-10-310-00-000000	134-10-310-00-100000	
14	0.7	0.3	0.4	28	134-10-314-00-020000	134-10-314-00-010000	134-10-314-00-050000	134-10-314-00-000000	134-10-314-00-100000	
16	0.8	0.3	0.4	25	134-10-316-00-020000	134-10-316-00-010000	134-10-316-00-050000	134-10-316-00-000000	134-10-316-00-100000	
18	0.9	0.3	0.4	22	134-10-318-00-020000	134-10-318-00-010000	134-10-318-00-050000	134-10-318-00-000000	134-10-318-00-100000	
20	1.0	0.3	0.4	20	134-10-320-00-020000	134-10-320-00-010000	134-10-320-00-050000	134-10-320-00-000000	134-10-320-00-100000	
22	1.1	0.3	0.4	18	134-10-322-00-020000	134-10-322-00-010000	134-10-322-00-050000	134-10-322-00-000000	134-10-322-00-100000	
24	1.2	0.3	0.4	16	134-10-324-00-020000	134-10-324-00-010000	134-10-324-00-050000	134-10-324-00-000000	134-10-324-00-100000	
28	1.4	0.3	0.4	14	134-10-328-00-020000	134-10-328-00-010000	134-10-328-00-050000	134-10-328-00-000000	134-10-328-00-100000	
20	1.0	0.4	0.5	20	134-10-420-00-020000	134-10-420-00-010000	134-10-420-00-050000	134-10-420-00-000000	134-10-420-00-100000	
22	1.1	0.4	0.5	18	134-10-422-00-020000	134-10-422-00-010000	134-10-422-00-050000	134-10-422-00-000000	134-10-422-00-100000	
24	1.2	0.4	0.5	16	134-10-424-00-020000	134-10-424-00-010000	134-10-424-00-050000	134-10-424-00-000000	134-10-424-00-100000	
28	1.4	0.4	0.5	14	134-10-428-00-020000	134-10-428-00-010000	134-10-428-00-050000	134-10-428-00-000000	134-10-428-00-100000	
32	1.6	0.4	0.5	12	134-10-432-00-020000	134-10-432-00-010000	134-10-432-00-050000	134-10-432-00-000000	134-10-432-00-100000	
24	1.2	0.6	0.7	16	134-10-624-00-020000	134-10-624-00-010000	134-10-624-00-050000	134-10-624-00-000000	134-10-624-00-100000	
28	1.4	0.6	0.7	14	134-10-628-00-020000	134-10-628-00-010000	134-10-628-00-050000	134-10-628-00-000000	134-10-628-00-100000	
32	1.6	0.6	0.7	12	134-10-632-00-020000	134-10-632-00-010000	134-10-632-00-050000	134-10-632-00-000000	134-10-632-00-100000	
36	1.8	0.6	0.7	11	134-10-636-00-020000	134-10-636-00-010000	134-10-636-00-050000	134-10-636-00-000000	134-10-636-00-100000	
40	2.0	0.6	0.7	10	134-10-640-00-020000	134-10-640-00-010000	134-10-640-00-050000	134-10-640-00-000000	134-10-640-00-100000	
42	2.1	0.6	0.7	9	134-10-642-00-020000	134-10-642-00-010000	134-10-642-00-050000	134-10-642-00-000000	134-10-642-00-100000	
48	2.4	0.6	0.7	8	134-10-648-00-020000	134-10-648-00-010000	134-10-648-00-050000	134-10-648-00-000000	134-10-648-00-100000	
50	2.5	0.6	0.7	8	134-10-650-00-020000	134-10-650-00-010000	134-10-650-00-050000	134-10-650-00-000000	134-10-650-00-100000	
52	2.6	0.6	0.7	7	134-10-652-00-020000	134-10-652-00-010000	134-10-652-00-050000	134-10-652-00-000000	134-10-652-00-100000	
50	2.5	0.9	1.0	8	134-10-950-00-020000	134-10-950-00-010000	134-10-950-00-050000	134-10-950-00-000000	134-10-950-00-100000	
52	2.6	0.9	1.0	7	134-10-952-00-020000	134-10-952-00-010000	134-10-952-00-050000	134-10-952-00-000000	134-10-952-00-100000	
64	3.2	0.9	1.0	6	134-10-964-00-020000	134-10-964-00-010000	134-10-964-00-050000	134-10-964-00-000000	134-10-964-00-100000	
XX=Plating Code See to Right					SPECIFY PLATING CODE XX =		10			
					Pin Plating		10 μ" Au			

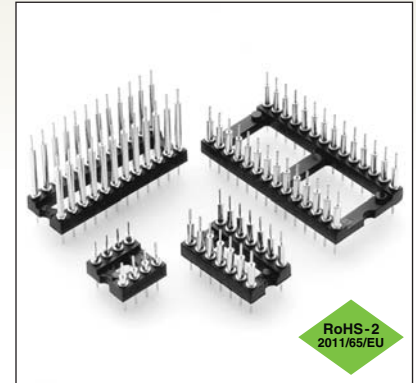


DUAL-IN-LINE HEADERS

SERIES 142 • INTERCONNECT • OPEN FRAME



- Series 142 DIL Headers have double-ended .018" diameter pluggable solder tails
- Used to interconnect PC Boards with spacings of .210", .335", .585" or .835". Series 142 uses MM #4259-1, -2, -3 or -4 pins. See page 212 for details
- Insulators are high temperature thermoplastic, suitable for all soldering operations
- For Electrical, Mechanical and Environmental Data, see page 264 for details

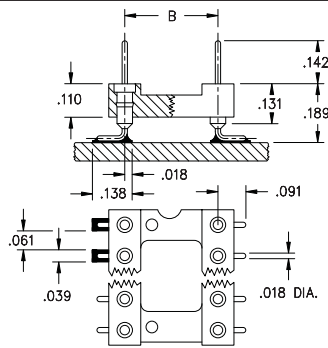


Total number of pins				Quantity per tube	ORDERING INFORMATION					
	A	B	C		L = .210	L = .335	L = .585	L = .835		
6	0.3	0.3	0.4	67	142-XX-306-00-591000	142-XX-306-00-592000	142-XX-306-00-593000	142-XX-306-00-594000		
8	0.4	0.3	0.4	50	142-XX-308-00-591000	142-XX-308-00-592000	142-XX-308-00-593000	142-XX-308-00-594000		
14	0.7	0.3	0.4	29	142-XX-314-00-591000	142-XX-314-00-592000	142-XX-314-00-593000	142-XX-314-00-594000		
16	0.8	0.3	0.4	25	142-XX-316-00-591000	142-XX-316-00-592000	142-XX-316-00-593000	142-XX-316-00-594000		
18	0.9	0.3	0.4	22	142-XX-318-00-591000	142-XX-318-00-592000	142-XX-318-00-593000	142-XX-318-00-594000		
20	1.0	0.3	0.4	40	142-XX-320-00-591000	142-XX-320-00-592000	142-XX-320-00-593000	142-XX-320-00-594000		
24	1.2	0.3	0.4	17	142-XX-324-00-591000	142-XX-324-00-592000	142-XX-324-00-593000	142-XX-324-00-594000		
22	1.1	0.4	0.5	14	142-XX-422-00-591000	142-XX-422-00-592000	142-XX-422-00-593000	142-XX-422-00-594000		
24	1.2	0.6	0.7	16	142-XX-624-00-591000	142-XX-624-00-592000	142-XX-624-00-593000	142-XX-624-00-594000		
28	1.4	0.6	0.7	14	142-XX-628-00-591000	142-XX-628-00-592000	142-XX-628-00-593000	142-XX-628-00-594000		
32	1.6	0.6	0.7	12	142-XX-632-00-591000	142-XX-632-00-592000	142-XX-632-00-593000	142-XX-632-00-594000		
40	2.0	0.6	0.7	10	142-XX-640-00-591000	142-XX-640-00-592000	142-XX-640-00-593000	142-XX-640-00-594000		
<div style="border: 1px solid black; border-radius: 50%; padding: 5px; display: inline-block;"> XX=Plating Code See to Right </div>					SPECIFY PLATING CODE XX =		10 ◆	90	40 ◆	
					Pin Plating		10 μ" Au	200 μ" Sn/Pb	200 μ" Sn	



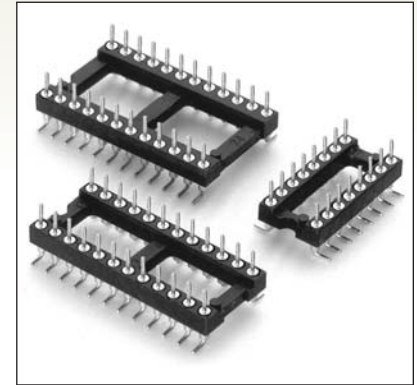
DUAL-IN-LINE HEADERS

SERIES 150 • SURFACE MOUNT, GULL WING • OPEN FRAME



See page 130 for Insulator Details

- Surface mount Gull Wing DIP headers for adapters and board stacking on .100" lead spacing
- Gull wing terminals provide maximum strength and permit easy visual inspection of solder joints
- Series 150 uses MM #3404 pins. See page 212 for details
- Insulators are high temperature thermoplastic, suitable for all soldering operations
- For Electrical, Mechanical and Environmental Data, see page 264 for details

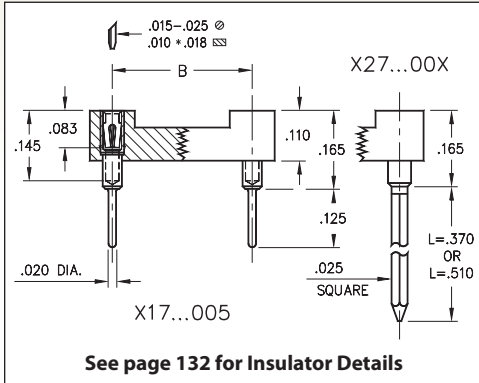


Total number of pins				Quantity per tube	<h3>ORDERING INFORMATION</h3>					
	A	B	C							
10	0.5	0.2	0.3	40	150-10-210-00-106000					
4	0.2	0.3	0.4	102	150-10-304-00-106000					
6	0.3	0.3	0.4	67	150-10-306-00-106000					
8	0.4	0.3	0.4	50	150-10-308-00-106000					
10	0.5	0.3	0.4	40	150-10-310-00-106000					
14	0.7	0.3	0.4	29	150-10-314-00-106000					
16	0.8	0.3	0.4	25	150-10-316-00-106000					
18	0.9	0.3	0.4	22	150-10-318-00-106000					
20	1.0	0.3	0.4	20	150-10-320-00-106000					
22	1.1	0.3	0.4	18	150-10-322-00-106000					
24	1.2	0.3	0.4	16	150-10-324-00-106000					
28	1.4	0.3	0.4	14	150-10-328-00-106000					
20	1.0	0.4	0.5	20	150-10-420-00-106000					
22	1.1	0.4	0.5	18	150-10-422-00-106000					
24	1.2	0.4	0.5	16	150-10-424-00-106000					
28	1.4	0.4	0.5	14	150-10-428-00-106000					
32	1.6	0.4	0.5	12	150-10-432-00-106000					
24	1.2	0.6	0.7	16	150-10-624-00-106000					
28	1.4	0.6	0.7	14	150-10-628-00-106000					
32	1.6	0.6	0.7	12	150-10-632-00-106000					
36	1.8	0.6	0.7	11	150-10-636-00-106000					
40	2.0	0.6	0.7	10	150-10-640-00-106000					
42	2.1	0.6	0.7	9	150-10-642-00-106000					
48	2.4	0.6	0.7	8	150-10-648-00-106000					
50	2.5	0.6	0.7	8	150-10-650-00-106000					
52	2.6	0.6	0.7	7	150-10-652-00-106000					
50	2.5	0.9	1.0	8	<div style="border: 1px solid black; border-radius: 50%; padding: 5px; display: inline-block;"> XX=Plating Code See Below </div>	150-10-950-00-106000				
52	2.6	0.9	1.0	7		150-10-952-00-106000				
64	3.2	0.9	1.0	6		150-10-964-00-106000				
See page 264 for coplanarity information						SPECIFY PLATING CODE XX =				
					Pin Plating		10 μ" Au			



DUAL-IN-LINE SOCKETS

SERIES 117, 127, 217, 227, 317, 327 • SHRINK DIP, SOLDER TAIL & WRAPOST



- High density DIP sockets and strips for devices featuring .070" lead spacing
- Solder tails use MM #1802 receptacles, See page 169 for details. Wraposts use MM #1702-2 or 1703-3 receptacles, See page 198 for details
- Hi-Rel, 4-finger BeCu #30 contact is rated at 3 amps. See page 253 for details
- Insulators are high temperature thermoplastic, suitable for all soldering operations
- For Electrical, Mechanical and Environmental Data, see page 264 for details

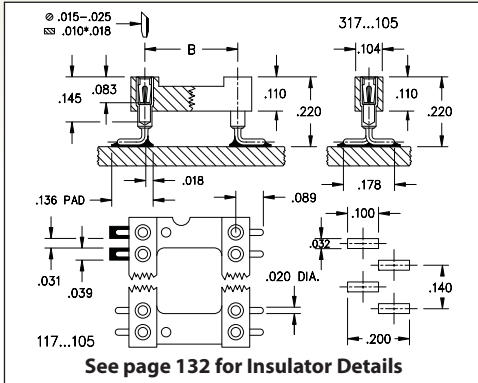


Total number of pins	Pin Spacing			Quantity per tube	ORDERING INFORMATION						
	A	B	C		Solder Tail	L = .370 (2 Level Wrapost)	L = .510 (3 Level Wrapost)				
OPEN FRAME DIP SOCKET											
16	0.572	0.3	0.39	35	117-XX-316-41-005000	127-XX-316-41-002000	127-XX-316-41-003000				
28	0.992	0.4	0.49	20	117-XX-428-41-005000	127-XX-428-41-002000	127-XX-428-41-003000				
30	1.062	0.4	0.49	18	117-XX-430-41-005000	127-XX-430-41-002000	127-XX-430-41-003000				
48	1.692	0.4	0.49	12	117-XX-448-41-005000	127-XX-448-41-002000	127-XX-448-41-003000				
20	0.712	0.6	0.69	28	117-XX-620-41-005000	127-XX-620-41-002000	127-XX-620-41-003000				
28	0.992	0.6	0.69	20	117-XX-628-41-005000	127-XX-628-41-002000	127-XX-628-41-003000				
40	1.412	0.6	0.69	14	117-XX-640-41-005000	127-XX-640-41-002000	127-XX-640-41-003000				
42	1.482	0.6	0.69	13	117-XX-642-41-005000	127-XX-642-41-002000	127-XX-642-41-003000				
48	1.692	0.6	0.69	11	117-XX-648-41-005000	127-XX-648-41-002000	127-XX-648-41-003000				
52	1.832	0.6	0.69	11	117-XX-652-41-005000	127-XX-652-41-002000	127-XX-652-41-003000				
56	1.972	0.6	0.69	10	117-XX-656-41-005000	127-XX-656-41-002000	127-XX-656-41-003000				
64	2.252	0.6	0.69	8	117-XX-664-41-005000	127-XX-664-41-002000	127-XX-664-41-003000				
68	2.392	0.6	0.69	8	117-XX-668-41-005000	127-XX-668-41-002000	127-XX-668-41-003000				
64	2.252	0.75	0.84	8	117-XX-764-41-005000	127-XX-764-41-002000	127-XX-764-41-003000				
CLOSED FRAME DIP SOCKET											
64	2.252	0.75	0.84	8	217-XX-764-41-005000	227-XX-764-41-002000	227-XX-764-41-003000				
SINGLE ROW STRIP SOCKET											
If desired, we will supply any length up to 21 pins.											
21	1.482	---	.104	-	317-XX-121-41-005000	327-XX-121-41-002000	327-XX-121-41-003000				
<div style="border: 1px solid black; border-radius: 50%; padding: 5px; display: inline-block;"> XX=Plating Code See to Right </div>					SPECIFY PLATING CODE XX=			91	93	41	43
					Sleeve (Pin)	200 μ" Sn/Pb	200 μ" Sn/Pb	200 μ" Sn	200 μ" Sn		
					Contact (Clip)	10 μ" Au	30 μ" Au	10 μ" Au	30 μ" Au		

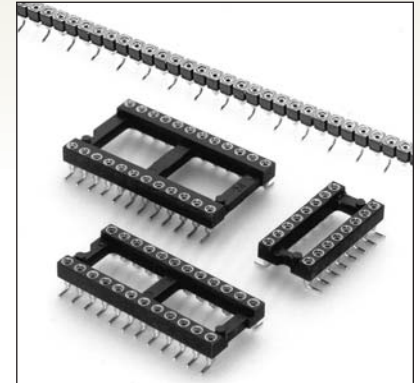


DUAL-IN-LINE SOCKETS

SERIES 117, 317 • GULL WING SHRINK DIP SOCKETS & STRIPS, SMT SOLDER TAIL



- Surface mount Gull Wing DIP & strip sockets for devices featuring .070" lead spacing
- Gull wing terminals provide maximum strength and permit easy visual inspection of solder joints
- Hi-Rel, 4-finger BeCu #30 contact is rated at 3 amps. See page 253 for details
- Series 117 and 317 use MM #1802 pins. See page 169 for details
- Insulators are high temperature thermoplastic, suitable for all soldering operations
- For Electrical, Mechanical and Environmental Data, see page 264 for details



Total number of pins				Quantity per tube	ORDERING INFORMATION					
	A	B	C							
16	0.572	0.3	0.39	35	117-XX-316-41-105000					
28	0.992	0.4	0.49	20	117-XX-428-41-105000					
30	1.062	0.4	0.49	18	117-XX-430-41-105000					
48	1.692	0.4	0.49	12	117-XX-448-41-105000					
20	0.712	0.6	0.69	28	117-XX-620-41-105000					
28	0.992	0.6	0.69	20	117-XX-628-41-105000					
40	1.412	0.6	0.69	14	117-XX-640-41-105000					
42	1.482	0.6	0.69	13	117-XX-642-41-105000					
48	1.692	0.6	0.69	12	117-XX-648-41-105000					
52	1.832	0.6	0.69	11	117-XX-652-41-105000					
56	1.972	0.6	0.69	10	117-XX-656-41-105000					
64	2.252	0.6	0.69	9	117-XX-664-41-105000					
68	2.392	0.6	0.69	8	117-XX-668-41-105000					
64	2.252	0.75	0.84	8	117-XX-764-41-105000					
					SINGLE ROW STRIP SOCKET If desired, we will supply any length up to 21 pins.					
21	1.482	---	.104	-	317-XX-121-41-105000					
See page 264 for coplanarity information					SPECIFY PLATING CODE XX=					
					Sleeve (Pin)	91	41	43		
					Contact (Clip)	200 μ" Sn/Pb	200 μ" Sn	200 μ" Sn	10 μ" Au	30 μ" Au

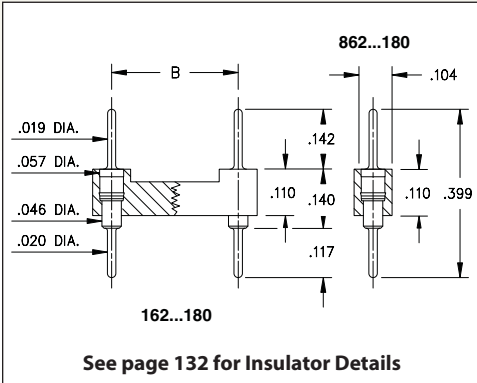
XX=Plating Code
See Below

RoHS-2
2011/65/EU

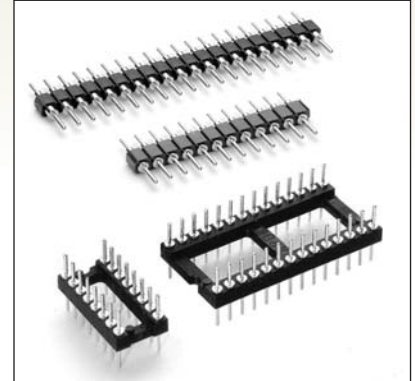


DUAL-IN-LINE HEADERS

SERIES 162, 862 • SHRINK DIP HEADER AND STRIPS, SOLDER TAIL



- High density DIP headers & strips for adapters and board stacking applications with .070" lead spacing
- Series 162 DIP headers and Series 862 strip headers use MM #6218 pins. See page 208 for details
- Insulators are high temperature thermoplastic, suitable for all soldering operations
- For Electrical, Mechanical and Environmental Data, see page 264 for details



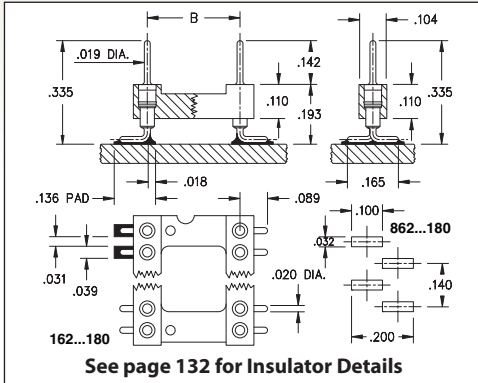
Total number of pins				Quantity per tube	<h3>ORDERING INFORMATION</h3>				
	A	B	C						
16	0.572	0.3	0.39	35	162-XX-316-00-180000				
28	0.992	0.4	0.49	20	162-XX-428-00-180000				
30	1.062	0.4	0.49	18	162-XX-430-00-180000				
48	1.692	0.4	0.49	12	162-XX-448-00-180000				
20	0.712	0.6	0.69	28	162-XX-620-00-180000				
28	0.992	0.6	0.69	20	162-XX-628-00-180000				
40	1.412	0.6	0.69	14	162-XX-640-00-180000				
42	1.482	0.6	0.69	13	162-XX-642-00-180000				
48	1.692	0.6	0.69	12	162-XX-648-00-180000				
52	1.832	0.6	0.69	11	162-XX-652-00-180000				
56	1.972	0.6	0.69	10	162-XX-656-00-180000				
64	2.252	0.6	0.69	9	162-XX-664-00-180000				
68	2.392	0.6	0.69	8	162-XX-668-00-180000				
64	2.252	0.75	0.84	8	162-XX-764-00-180000				
					SINGLE ROW STRIP HEADER If desired, we will supply any length up to 21 pins.				
21	1.482	---	.104	---	862-XX-121-00-180000				
SPECIFY PLATING CODE XX =					10 ◆	90	40 ◆		
Pin Plating					10 μ" Au	200 μ" Sn/Pb	200 μ" Sn		

XX=Plating Code
See Below

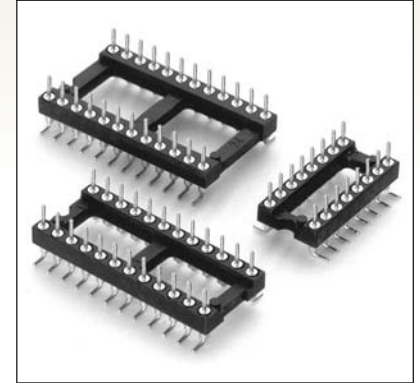


DUAL-IN-LINE HEADERS

SERIES 162, 862 • GULL WING SHRINK DIP HEADERS & STRIPS, SMT SOLDER TAIL



- Surface mount Gull Wing DIP headers & strips for adapters and board stacking applications with .070" lead spacing
- Gull wing terminals provide maximum strength and permit easy visual inspection of solder joints
- Series 162 and Series 862 use MM #6218 pins. See page 208 for details
- Insulators are high temperature thermoplastic, suitable for all soldering operations
- For Electrical, Mechanical and Environmental Data, see page 264 for details



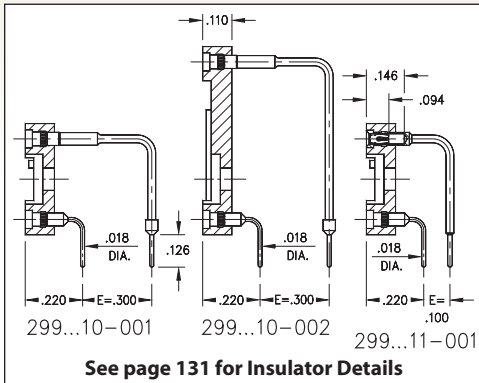
Total number of pins	Pin Spacing (mm)			Quantity per tube	ORDERING INFORMATION	
	A	B	C			
16	0.572	0.3	0.39	35	162-10-316-30-180000	
28	0.992	0.4	0.49	20	162-10-428-30-180000	
30	1.062	0.4	0.49	18	162-10-430-30-180000	
48	1.692	0.4	0.49	12	162-10-448-30-180000	
20	0.712	0.6	0.69	28	162-10-620-30-180000	
28	0.992	0.6	0.69	20	162-10-628-30-180000	
40	1.412	0.6	0.69	14	162-10-640-30-180000	
42	1.482	0.6	0.69	13	162-10-642-30-180000	
48	1.692	0.6	0.69	12	162-10-648-30-180000	
52	1.832	0.6	0.69	11	162-10-652-30-180000	
56	1.972	0.6	0.69	10	162-10-656-30-180000	
64	2.252	0.6	0.69	9	162-10-664-30-180000	
68	2.392	0.6	0.69	8	162-10-668-30-180000	
64	2.252	0.75	0.84	8	162-10-764-30-180000	
					SINGLE ROW STRIP SOCKET If desired, we will supply any length up to 21 pins.	
21	1.482	---	.104	---	862-10-121-30-180000	
See page 264 for coplanarity information					SPECIFY PLATING CODE XX =	
					Pin Plating	10 μ Au

XX=Plating Code
See Below

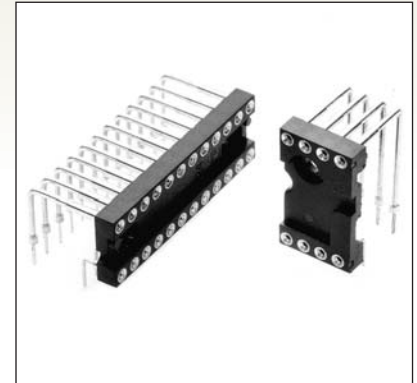


DUAL-IN-LINE SOCKETS

SERIES 299 • RIGHT ANGLE MOUNT • CLOSED FRAME



- Ideal for mounting components, such as LED displays, where the face must be parallel to the PCB surface
- Sockets have solder tail termination and are available with either .300" (standard) or .100" row spacing
- Series 299 uses MM #1103/0903, #1103/1610 or #1103/0904 pins. See pages 166 & 167 for details
- Hi-Rel, 4-finger BeCu #30 contact is rated at 3 amps. See page 253 for details
- Insulators are high temperature thermoplastic, suitable for all soldering operations
- For Electrical, Mechanical and Environmental Data, see page 264 for details



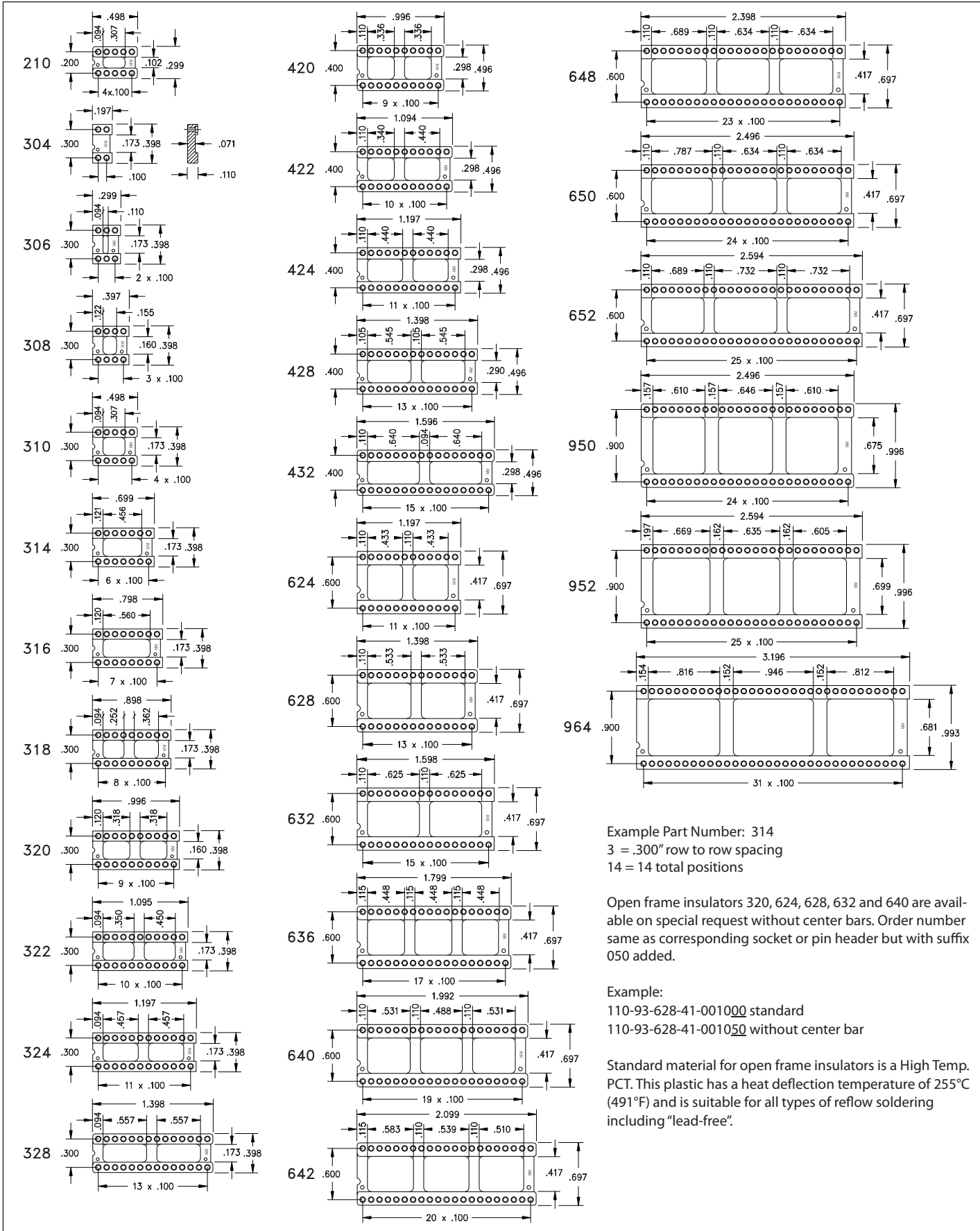
Total number of pins				Quantity per tube	ORDERING INFORMATION				
	A	B	C		E = .300	E = .100			
6	0.3	0.3	0.4		299-XX-306-10-001000	299-XX-306-11-001000			
8	0.4	0.3	0.4		299-XX-308-10-001000	299-XX-308-11-001000			
10	0.5	0.3	0.4		299-XX-310-10-001000	299-XX-310-11-001000			
12	0.6	0.3	0.4	33	299-XX-312-10-001000	299-XX-312-11-001000			
14	0.7	0.3	0.4	29	299-XX-314-10-001000	299-XX-314-11-001000			
16	0.8	0.3	0.4	25	299-XX-316-10-001000	299-XX-316-11-001000			
18	0.9	0.3	0.4	22	299-XX-318-10-001000	299-XX-318-11-001000			
20	1.0	0.3	0.4	20	299-XX-320-10-001000	299-XX-320-11-001000			
24	1.2	0.3	0.4	16	299-XX-324-10-001000	299-XX-324-11-001000			
8	0.4	0.6	0.7	50	299-XX-608-10-002000				
10	0.5	0.6	0.7	40	299-XX-610-10-002000				
12	0.6	0.6	0.7	34	299-XX-612-10-002000				
14	0.7	0.6	0.7	28	299-XX-614-10-002000				
16	0.8	0.6	0.7	25	299-XX-616-10-002000				
18	0.9	0.6	0.7	22	299-XX-618-10-002000				
20	1.0	0.6	0.7	20	299-XX-620-10-002000				
22	1.1	0.6	0.7	18	299-XX-622-10-002000				
24	1.2	0.6	0.7	16	299-XX-624-10-002000				
26	1.3	0.6	0.7	15	299-XX-626-10-002000				
28	1.4	0.6	0.7	14	299-XX-628-10-002000				
30	1.5	0.6	0.7	13	299-XX-630-10-002000				
32	1.6	0.6	0.7	12	299-XX-632-10-002000				
36	1.8	0.6	0.7	11	299-XX-636-10-002000				
40	2.0	0.6	0.7	10	299-XX-640-10-002000				
SPECIFY PLATING CODE XX =							93		43
Sleeve (Pin)							200 μ" Sn/Pb		200 μ" Sn
Contact (Clip)							30 μ" Au		30 μ" Au



XX=Plating Code
See Below



DUAL-IN-LINE INSULATORS STANDARD OPEN FRAME



Example Part Number: 314
 3 = .300" row to row spacing
 14 = 14 total positions

Open frame insulators 320, 624, 628, 632 and 640 are available on special request without center bars. Order number same as corresponding socket or pin header but with suffix 050 added.

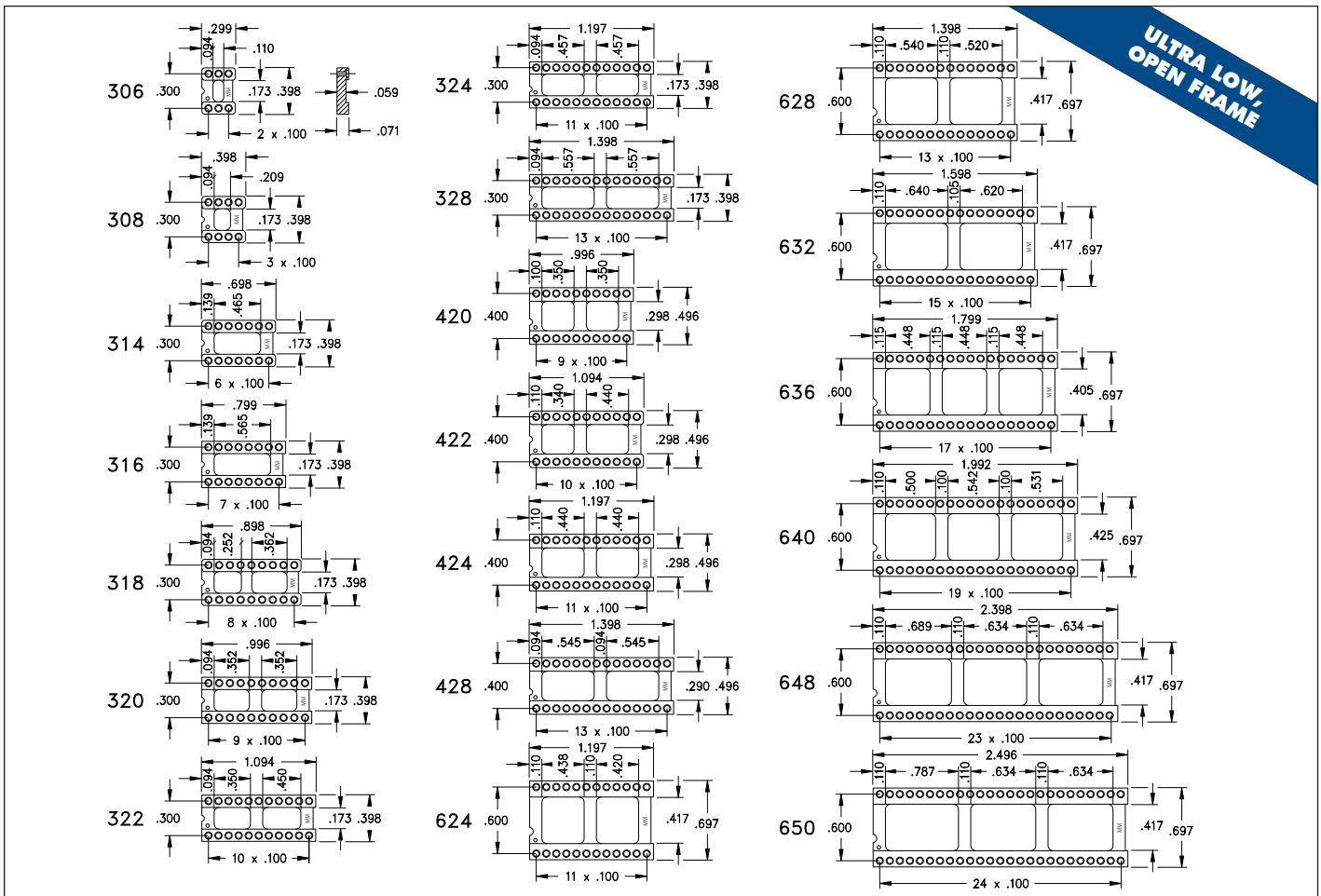
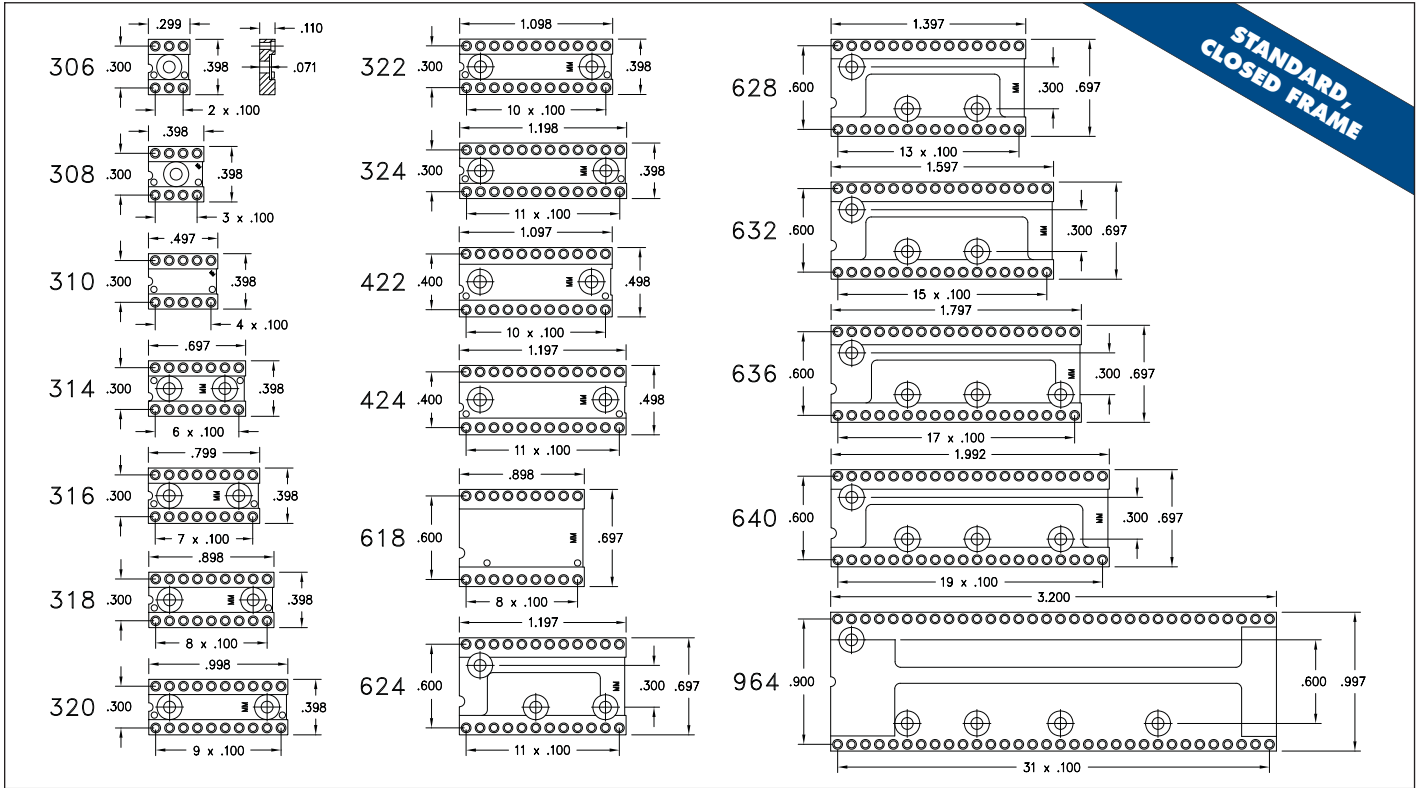
Example:
 110-93-628-41-001000 standard
 110-93-628-41-001050 without center bar

Standard material for open frame insulators is a High Temp. PCT. This plastic has a heat deflection temperature of 255°C (491°F) and is suitable for all types of reflow soldering including "lead-free".



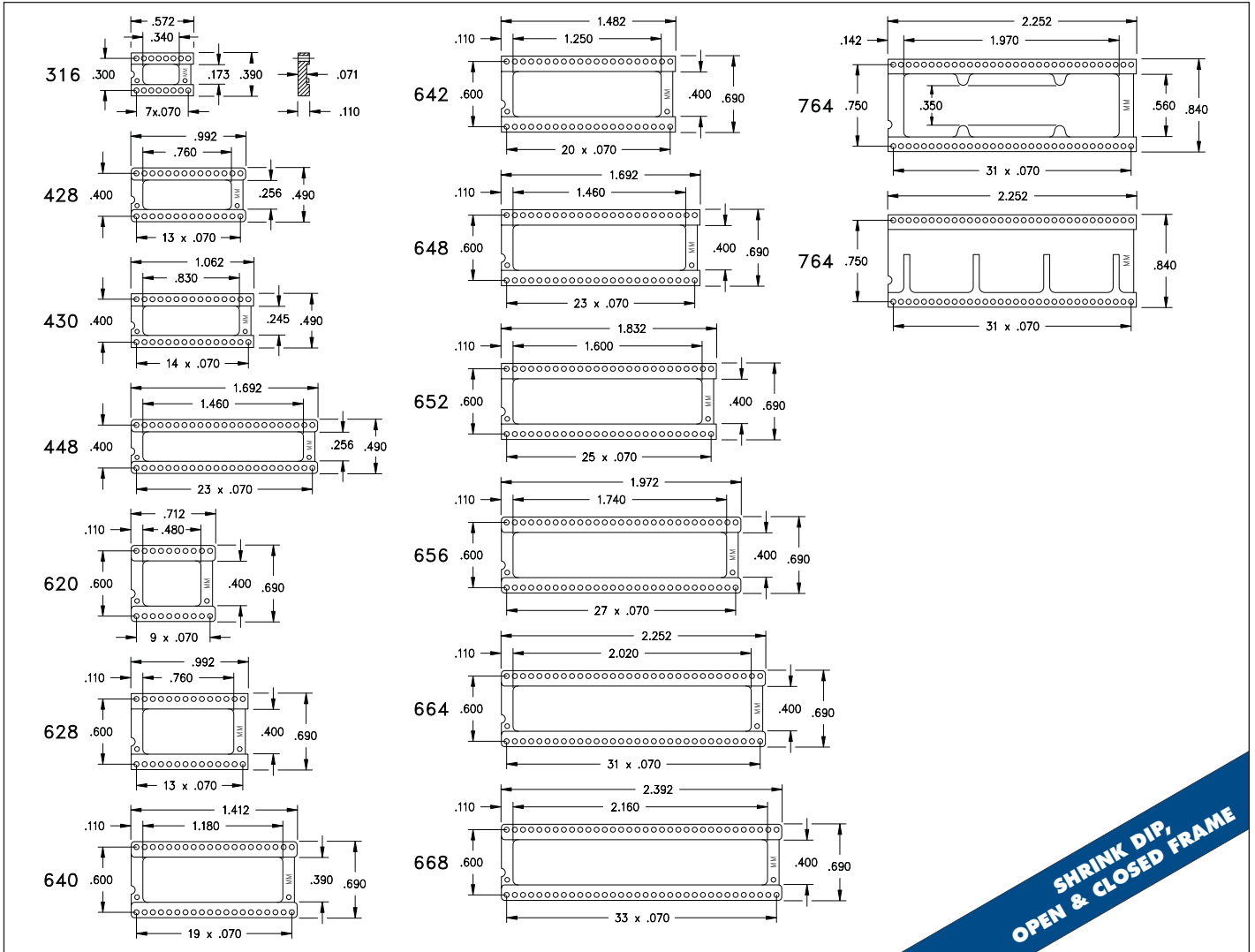
DUAL-IN-LINE INSULATORS

STANDARD, CLOSED FRAME • ULTRA LOW PROFILE, OPEN FRAME

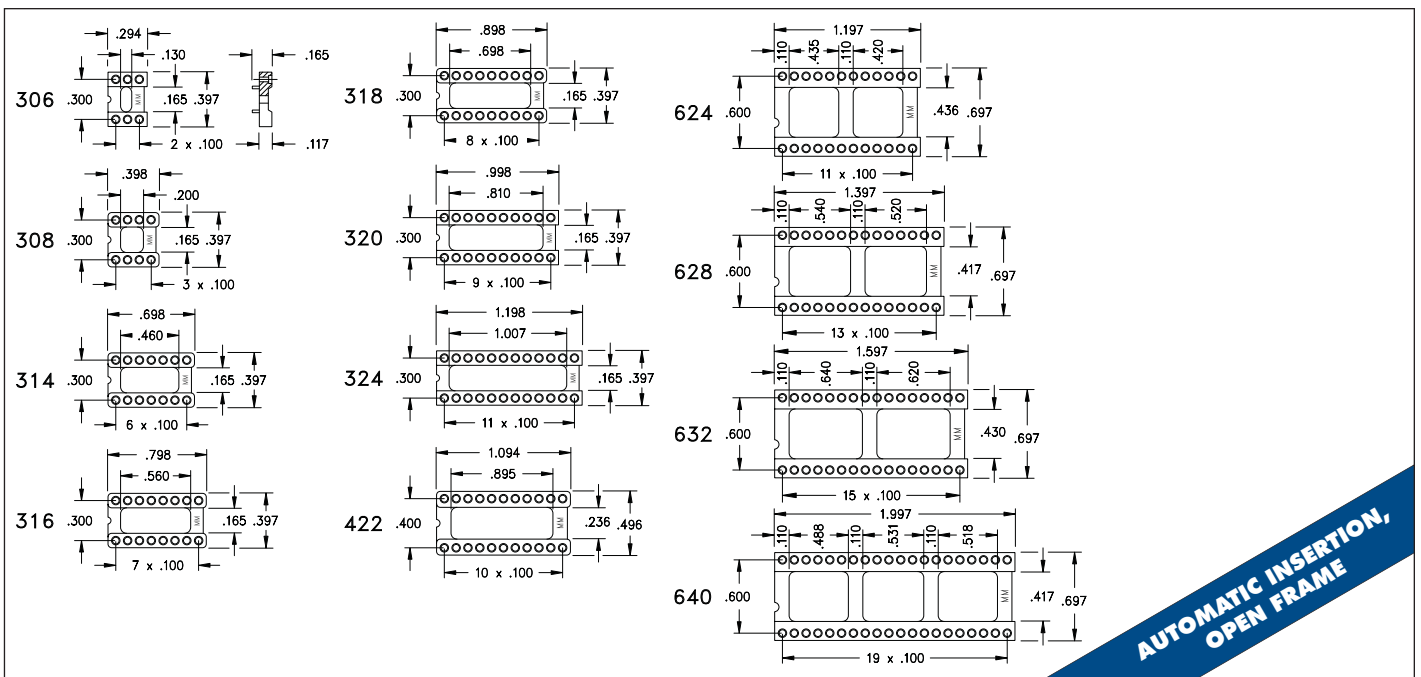


DUAL-IN-LINE INSULATORS

SHRINK DIP, OPEN & CLOSED FRAME • AUTOMATIC INSERTION, OPEN FRAME



**SHRINK DIP,
OPEN & CLOSED FRAME**



**AUTOMATIC INSERTION,
OPEN FRAME**



DUAL-IN-LINE SOCKETS

SERIES 296, 299, 594 • DISPLAY SOCKETS

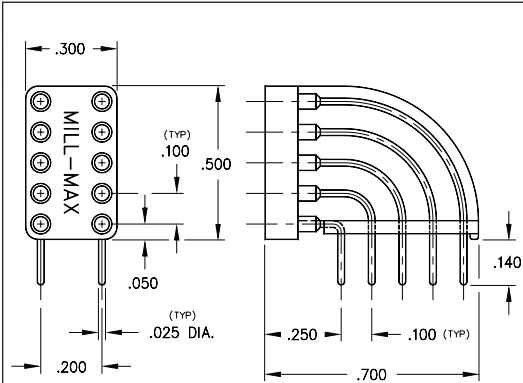
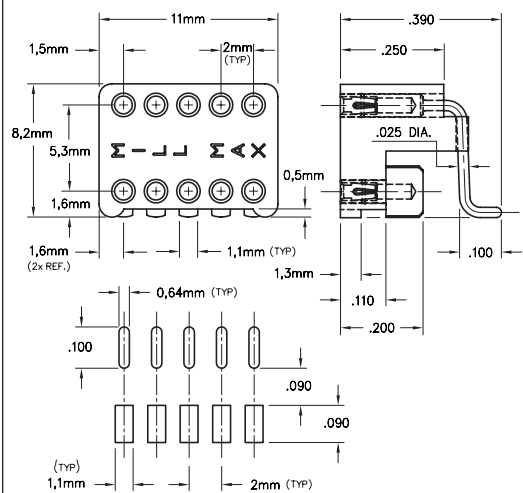


FIG. 1



FOOTPRINT

FIG. 2

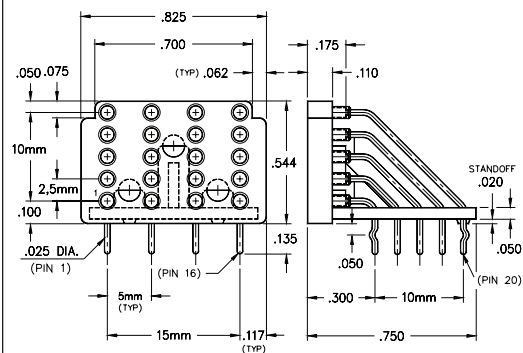
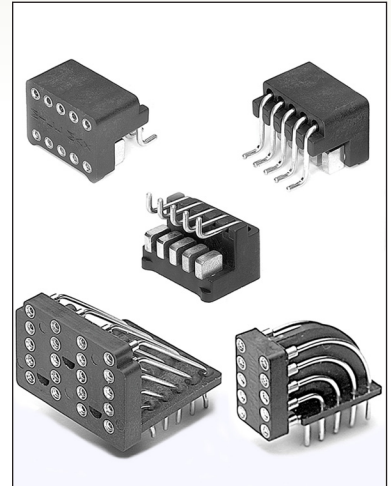





FIG. 3

- Series 296, 299 and 594 display sockets are used to mount dot matrix and 7-segment LED displays at the edge of and perpendicular to a printed circuit board. This positions the display directly behind the translucent front panel of the equipment
- Series 299 & 594 are through-hole mount and can be wave or intrusive reflow soldered
- Series 296 is surface mount and can be supplied on carrier tape for automated "pick 'n place" assembly
- Hi-Rel, 4-finger BeCu #30 contact is rated at 3 amps. See page 253 for details
- See also page 129 for Right Angle DIP Sockets
- Insulators are high temp. Nylon 46, suitable for all soldering processes including "lead-free"
- For Electrical, Mechanical and Environmental Data, see page 264 for details



ORDERING INFORMATION

FIG. 1	Series 299...001	10 Pin Vertical Display Socket	
	Discrete Sockets		
	299-99-210-12-001800	Plating Code	
FIG. 2	Series 296...691	10 Pin Horizontal Display Socket	
	Discrete Sockets		
	296-XX-010-30-691800	Plating Code	
FIG. 3	Series 296...692	10 Pin Horizontal Display Socket	
	Supplied on 24mm wide carrier tape per EIA-481: 450 per 13" reel		
	296-XX-010-30-692800	Plating Code	
FIG. 3	Series 594...007	20 Pin Vertical Display Socket	
	Discrete Sockets		
	594-XX-020-01-007032	Plating Code	
	RoHS - 2 2011/65/EU	XX=Plating Code See Below	
	SPECIFY PLATING CODE XX=		
	Sleeve (Pin) 	99	44 
	Contact (Clip) 	200 μ"Sn/Pb	200 μ"Sn
		200 μ"Sn/Pb	200 μ"Sn



DUAL-IN-LINE SOCKETS

SERIES 110 • SELECTIVELY LOADED RELAY DIP SOCKET, SOLDER TAIL

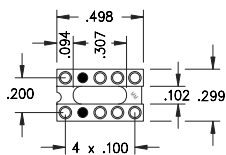
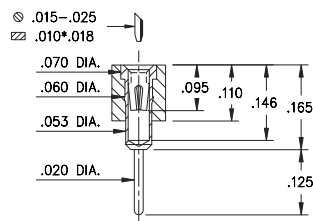


Fig. 1

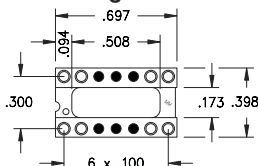


Fig. 2

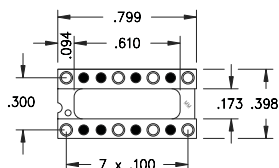


Fig. 3

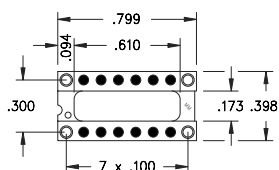


Fig. 4

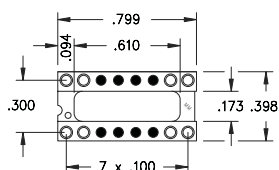


Fig. 5

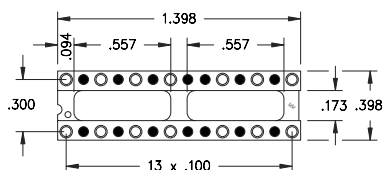


Fig. 6

○ = Loaded Position ● = Empty Position

- Relay sockets accept devices with I/O pins on .100" grid
- Additional Relay DIP socket patterns are available on Page 134
- Series 110 use MM #1001 receptacles. See page 165 for details
- Hi-Rel, 4-finger BeCu #30 contact is rated at 3 amps. See page 253 for details
- Insulators are high temperature thermoplastic, suitable for all soldering operations
- For Electrical, Mechanical and Environmental Data, see page 264 for details



ORDERING INFORMATION

FIG.	Series 110...002	8 Position Relay Socket				
	FIG. 1	110-XX-210-10-002000				
FIG. 2	Series 110...002	8 Position Relay Socket				
	FIG. 2	110-XX-314-10-002000				
FIG. 3	Series 110...003	8 Position Relay Socket				
	FIG. 3	110-XX-316-10-003000				
FIG. 4	Series 110...004	4 Position Relay Socket				
	FIG. 4	110-XX-316-10-004000				
FIG. 5	Series 110...005	8 Position Relay Socket				
	FIG. 5	110-XX-316-10-005000				
FIG. 6	Series 110...002	14 Position Relay Socket				
	FIG. 6	110-XX-328-10-002000				
<div style="display: flex; justify-content: space-around; align-items: center;"> <div style="border: 1px solid black; border-radius: 50%; padding: 5px;">XX=Plating Code See Below</div> <div style="border: 1px solid black; padding: 5px; color: white; background-color: #4CAF50;">RoHS-2 2011/65/EU</div> </div>						
SPECIFY PLATING CODE XX=		13	93		43	
Sleeve (Pin)		10 μ" Au	200 μ" Sn/Pb		200 μ" Sn	
Contact (Clip)		30 μ" Au	30 μ" Au		30 μ" Au	

