



Battery Management Systems Safety Isolation and EMI Noise Suppression Solutions for Electrical Vehicles and Energy Storage Systems

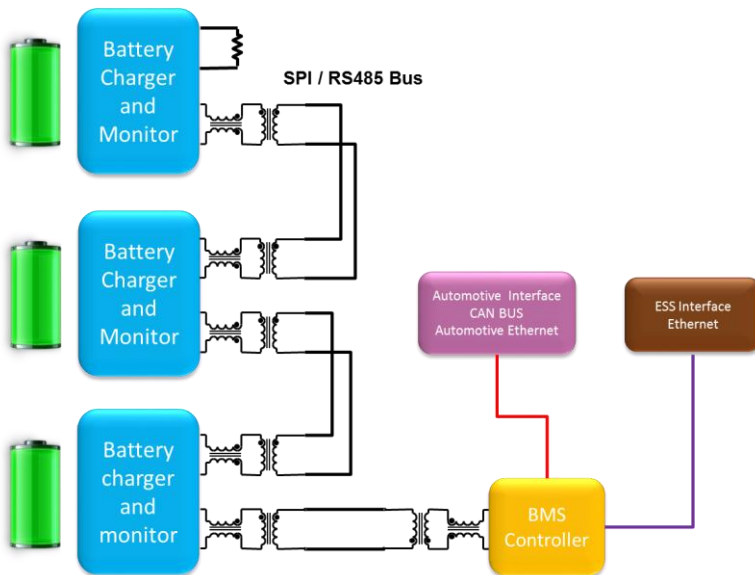
Pulse Electronics offers full Line of isolation transformers and common mode chokes for small to large battery pack systems for serial port safety isolation and EMI noise rejection application. In large battery pack applications with daisy chain connections, the number of cells connected in series is very high, and the large voltage differences demand component-to-component isolation. The serial communication links between boards need to be isolated by transformer coupling circuits instead of capacitor coupling.

Features and Benefits:

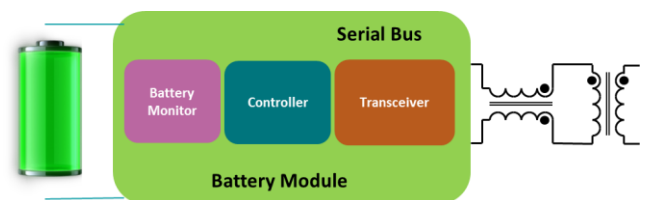
- Supports BMS isolation and EMI solutions
- Supports serial Daisy Chain isoSPI, SPI and other signal isolation
- Meets AEC-Q200 requirements for automotive applications
- PPAP documentation upon request
- IATF 16949:2016
- Operating temp. -40C up to +125C
- Multiple options for working voltages and voltage isolation
- 15 Years working life on Isolation

Application:

- Electric Vehicle
- Energy Storage Systems
- Data Center UPS
- Solar energy storage
- Green – Renewable
- Marine



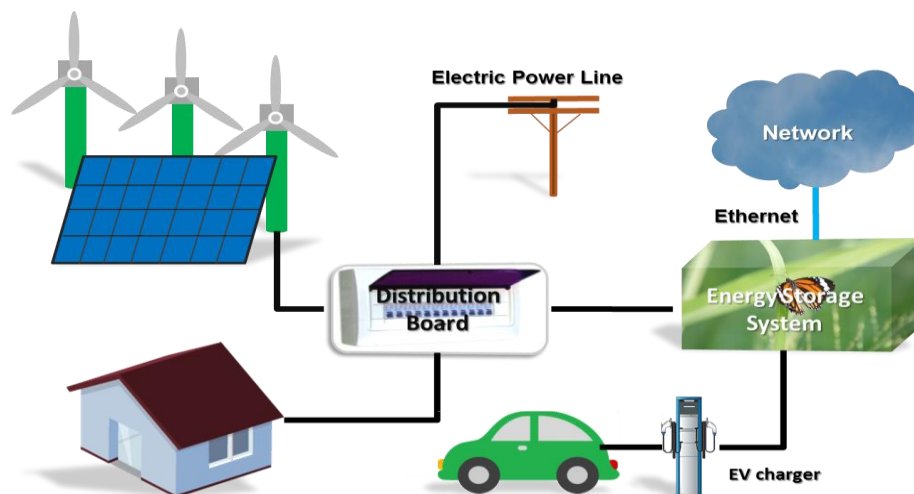
Battery Management System



Feature Parts List

Pulse Number	No of Channel	Working Voltage	HI-POT Isolation	Creepage Distance	Center Tap	Common Choke	Operation Temp	Supported IC
HM1188NL	2	100Vdc	1500Vrms	-	Yes	Yes	-40~125°C	Linear Tech 6820/6804/6811
HM1190NL	1	600Vdc	2500Vrms	-	Yes	Yes	-40~125°C	Linear Tech
HM1331NL	2	1000Vdc	4000Vrms	-	Yes	Yes	-40~85°C	Linear Tech
HM2100NL	2	1000Vdc	4300Vdc	>10mm	No	Yes	-40~125°C	Linear Tech 6820/6804/6811
HM2101NL	1	1000Vdc	4300Vdc	>5mm	No	Yes	-40~125°C	Linear Tech 6820/6804/6811
HM2102NL	2	1000Vdc	4300Vdc	>8mm	Yes	Yes	-40~125°C	Linear Tech 6820/6804/6811 NXP MC33664/33771
HM2103NL	1	1000Vdc	4300Vdc	>5mm	Yes	Yes	-40~125°C	Linear Tech 6820/6804/6811 NXP MC33664/33771
HM2106NL	1	1000Vdc	4300Vdc	>11mm	Yes	No	-40~125°C	Linear Tech 6820/6804/6811 NXP MC33664/33771
HM2108NL	1	1000Vdc	4300Vdc	>11mm	Yes	Yes	-40~125°C	Linear Tech 6820/6804/6811 NXP MC33664/33771
HM1236NL	1	600Vdc	3200Vdc	>7mm	Yes	Yes	-40~125°C	MAX17823/11068
HM1237NL	2	600Vdc	2500Vac	-	Yes	Yes	-40~125°C	MAX17823/11068
HM1238NL	1	1000Vdc	4300Vdc	-	Yes	Yes	-40~150°C	MAX17823/11068

Note: Multiple options are available with different working voltage, isolation specifications, creepage distance, and packaging. Custom parts can be developed upon request.



[Datasheets](#)

[Order Samples](#)

[BUY NOW](#) Buy Now

