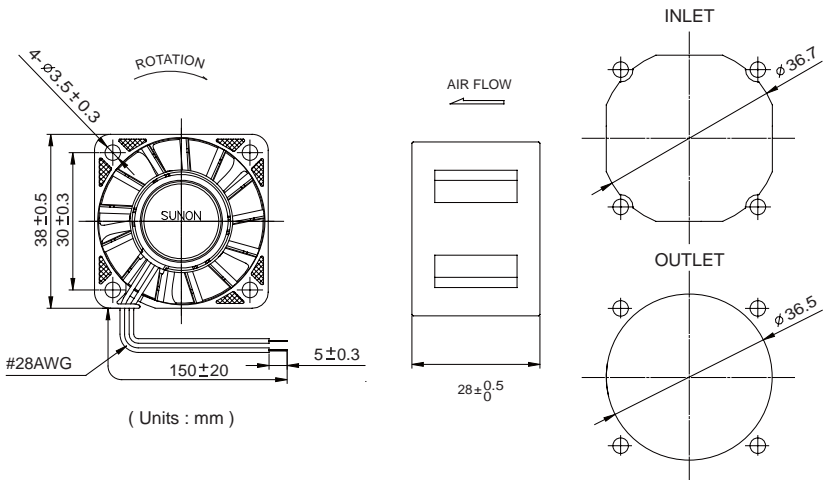
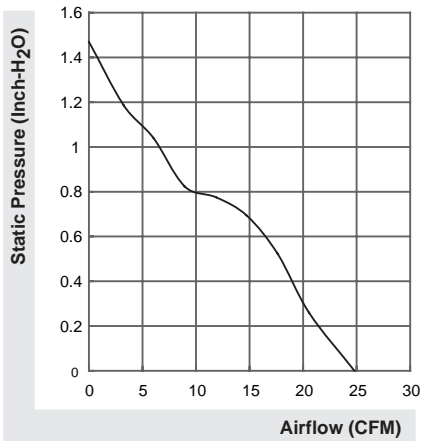


38x38x28 mm

24.8 CFM



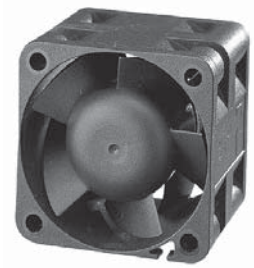
Model	Bearing	Rating Voltage (VDC)	Power Current (mA)	Power Consumption (WATTS)	Speed (RPM)	Air Flow (CFM)	Static Pressure (Inch-H <sub>2</sub> O)	Noise (dBA)	Weight (g)	Curve
SG38281B1-0000-A99	2BALL	12	520	6.24	19000	24.8	1.47	56.2	35.0	1




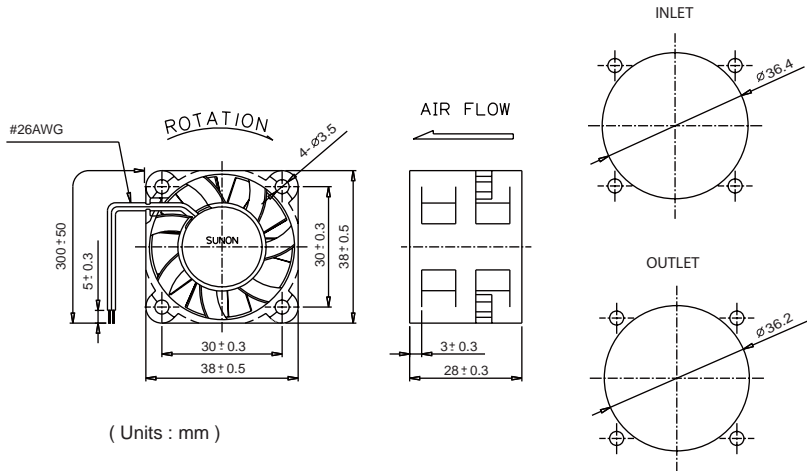
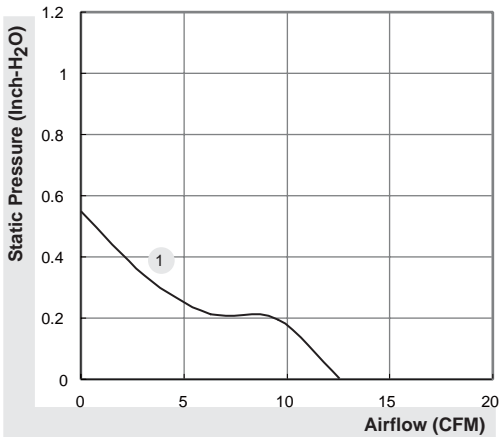
\*All model could be customized. Please contact with Sunon Sales.  
 \*Specifications are subject to change without notice. Please Visit SUNON web site at <http://www.sunon.com> for update information.

38x38x28 mm

12.6 CFM



 P/N	Bearing	Rating Voltage (VDC)	Power Current (mA)	Power Consumption (WATTS)	Speed (RPM)	Air Flow (CFM)	Static Pressure (Inch-H <sub>2</sub> O)	Noise (dBA)	Weight (g)	Curve
PMD1238PQB2-A (2).GN	⊗	12	190	2.3	10000	12.6	0.55	42.0	35.2	1



\*All model could be customized. Please contact with Sunon Sales.  
 \*Specifications are subject to change without notice. Please Visit SUNON web site at <http://www.sunon.com> for update information.

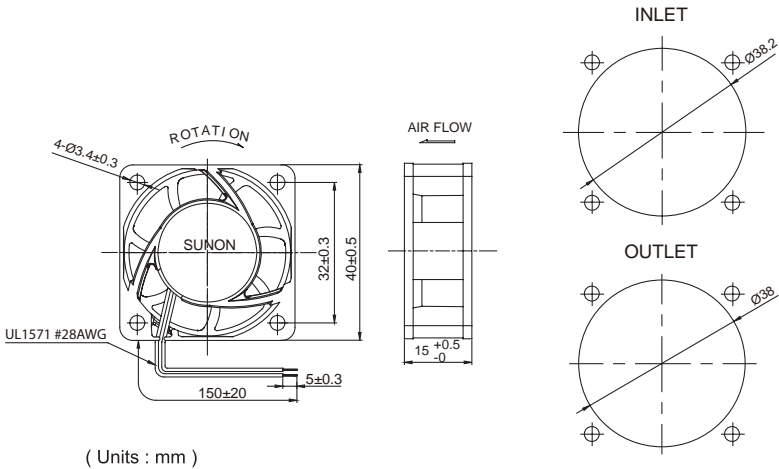
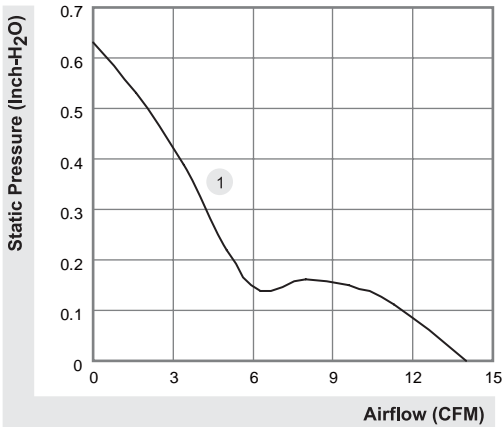
40x40x15 mm



14 CFM



Model	P/N	Bearing ● 2BALL ○ Sleeve	Rating Voltage (VDC)	Power Current (mA)	Power Consumption (WATTS)	Speed (RPM)	Air Flow (CFM)	Static Pressure (Inch-H <sub>2</sub> O)	Noise (dBA)	Weight (g)	Curve
PSD1204PHB1-A	(2).Z.GN	●	12	240	2.9	12000	14	0.63	44.2	25.85	1
PSD1204PHB1-A	(2).Z.F.PWM.GN	●	12	240	2.9	12000	14	0.63	44.2	25.85	1
PSD1204PHB1-A	(2).Z.R.PWM.GN	●	12	240	2.9	12000	14	0.63	44.2	25.85	1



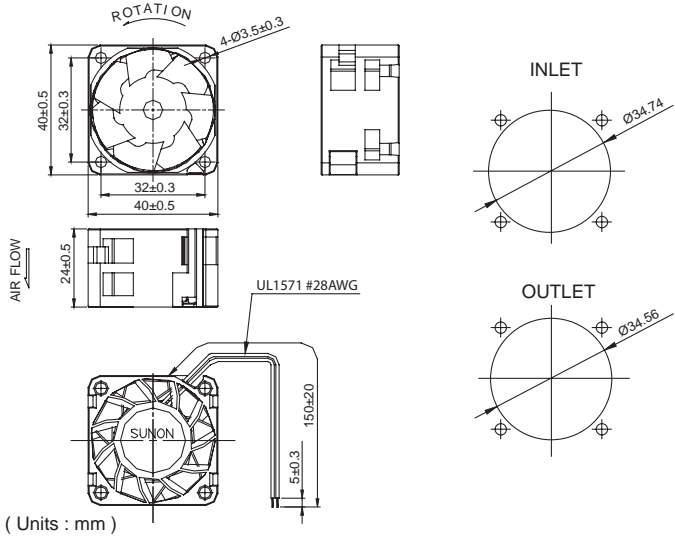
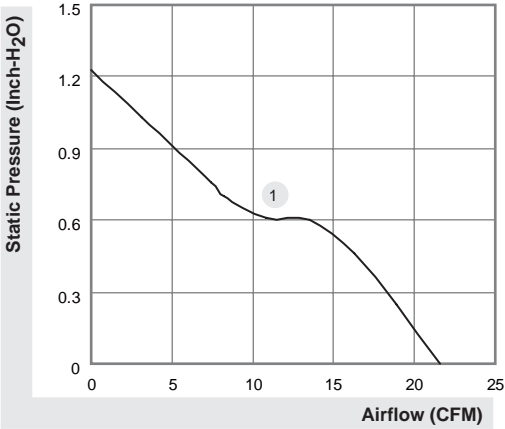
\*All model could be customized. Please contact with Sunon Sales.  
 \*Specifications are subject to change without notice. Please Visit SUNON web site at <http://www.sunon.com> for update information.

40x40x24 mm

21.6 CFM



Model	P/N	Bearing ● 2BALL ○ Sleeve	Rating Voltage (VDC)	Power Current (mA)	Power Consumption (WATTS)	Speed (RPM)	Air Flow (CFM)	Static Pressure (Inch-H <sub>2</sub> O)	Noise (dBA)	Weight (g)	Curve
PSD1204PBB1-A	(2).Z.GN	●	12	500	6.0	14700	21.6	1.23	55.7	80	1
PSD1204PBB1-A	(2).Z.F.PWM.GN	●	12	500	6.0	14700	21.6	1.23	55.7	80	1
PSD1204PBB1-A	(2).Z.R.PWM.GN	●	12	500	6.0	14700	21.6	1.23	55.7	80	1

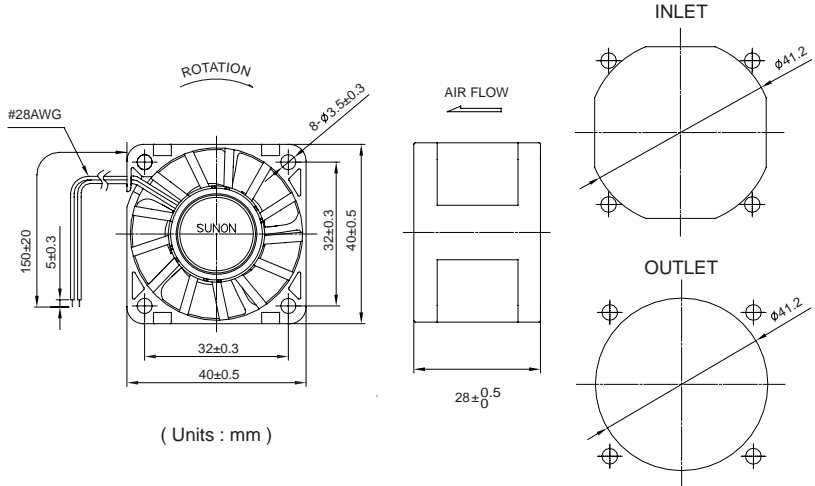
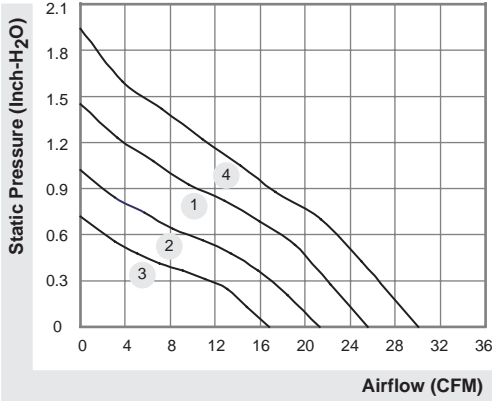


\*All model could be customized. Please contact with Sunon Sales.  
 \*Specifications are subject to change without notice. Please Visit SUNON web site at <http://www.sunon.com> for update information.

40x40x28 mm

16.8~30.1 CFM

Model	Bearing	Rating Voltage (VDC)	Power Current (mA)	Power Consumption (WATTS)	Speed (RPM)	Air Flow (CFM)	Static Pressure (Inch-H <sub>2</sub> O)	Noise (dBA)	Weight (g)	Curve
SG40281B1-0000-A99	☉ 2BALL	12	520	6.24	19000	25.6	1.45	58.5	35.0	1
SG40281B2-0000-A99	☉	12	350	4.20	16000	21.1	1.02	53.8	35.0	2
SG40281B3-0000-A99	☉	12	220	2.64	13000	16.8	0.72	50.0	35.0	3
SG40281BX-0000-H99	☉	12	670	8.04	21000	30.1	1.94	63.6	35.0	4



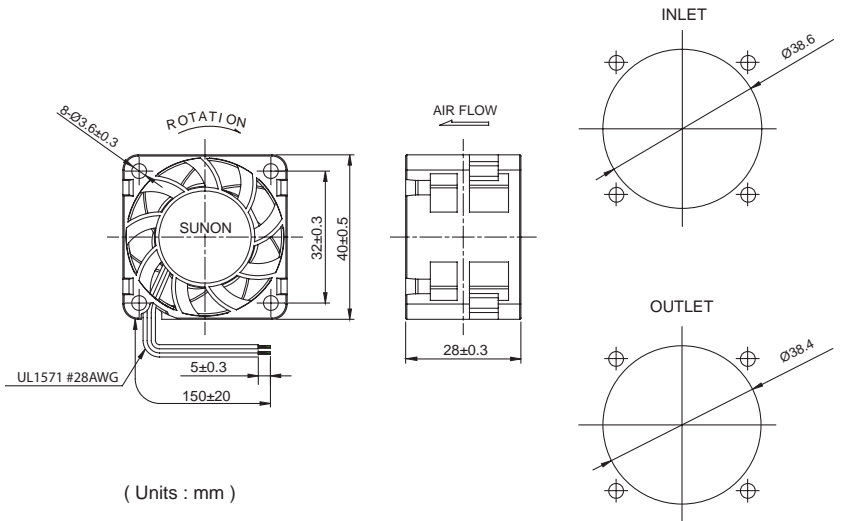
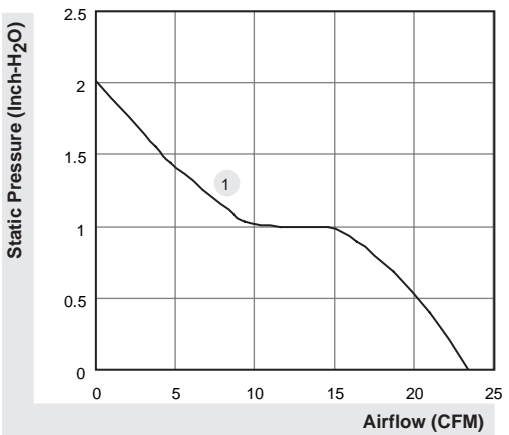
\*All model could be customized. Please contact with Sunon Sales.  
 \*Specifications are subject to change without notice. Please Visit SUNON web site at <http://www.sunon.com> for update information.

40x40x28 mm

23.4 CFM



Model	P/N	Bearing ● 2BALL ○ Sleeve	Rating Voltage (VDC)	Power Current (mA)	Power Consumption (WATTS)	Speed (RPM)	Air Flow (CFM)	Static Pressure (Inch-H <sub>2</sub> O)	Noise (dBA)	Weight (g)	Curve
PSD1204PQBX-A	(2).Z.GN	●	12	750	9.0	19000	23.4	2.01	59.9	43	1
PSD1204PQBX-A	(2).Z.F.PWM.GN	●	12	750	9.0	19000	23.4	2.01	59.9	43	1
PSD1204PQBX-A	(2).Z.R.PWM.GN	●	12	750	9.0	19000	23.4	2.01	59.9	43	1



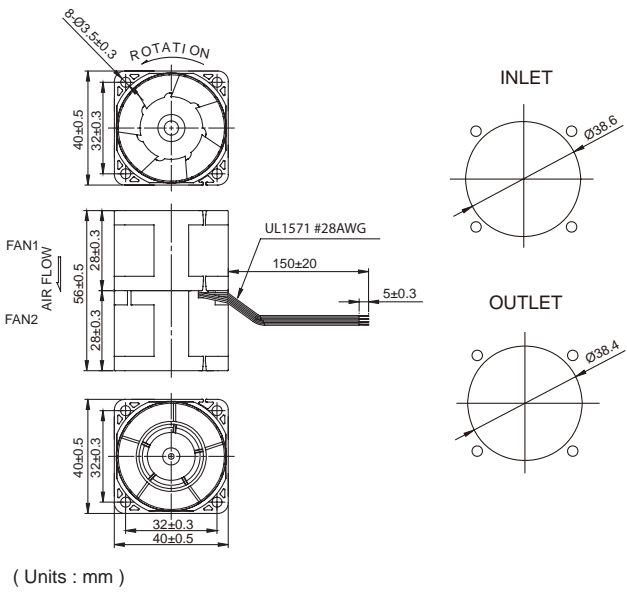
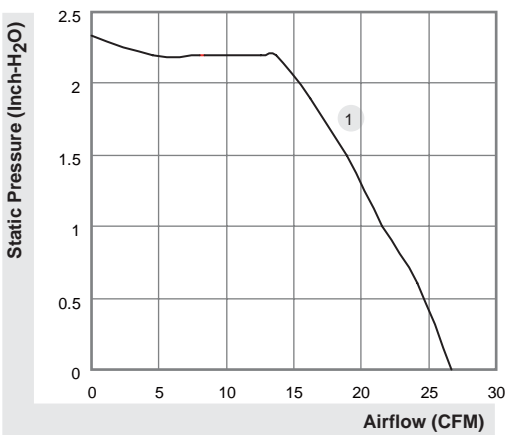
\*All model could be customized. Please contact with Sunon Sales.  
 \*Specifications are subject to change without notice. Please Visit SUNON web site at <http://www.sunon.com> for update information.

40x40x56 mm



26.7 CFM

Model	P/N	Bearing ● 2BALL ○ Sleeve	Rating Voltage (VDC)	Power Current (mA)	Power Consumption (WATTS)	Speed (RPM)	Air Flow (CFM)	Static Pressure (Inch-H <sub>2</sub> O)	Noise (dBA)	Weight (g)	Curve
PMD1204PPBX-A	(2).Z.GN	●	12	1090	13.1	17600/13500	26.7	2.33	66.6	86	1
PMD1204PPBX-A	(2).Z.F.PWM.GN	●	12	1090	13.1	17600/13500	26.7	2.33	66.6	86	1
PMD1204PPBX-A	(2).Z.R.PWM.GN	●	12	1090	13.1	17600/13500	26.7	2.33	66.6	86	1




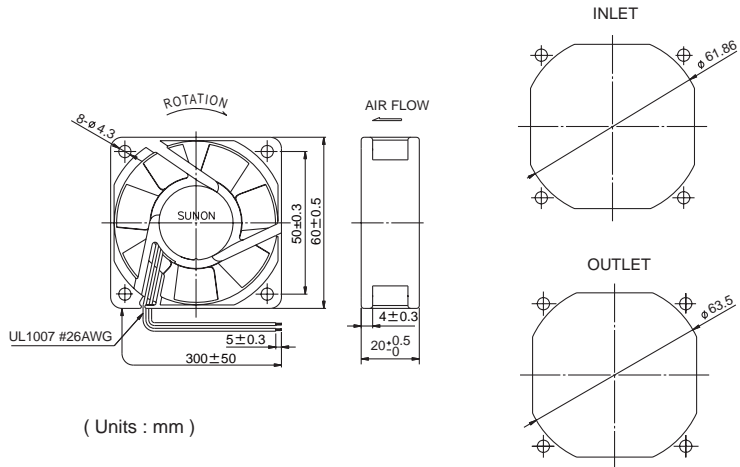
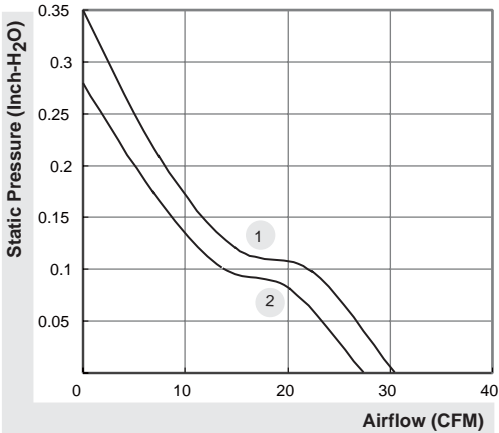
\*All model could be customized. Please contact with Sunon Sales.  
 \*Specifications are subject to change without notice. Please Visit SUNON web site at <http://www.sunon.com> for update information.

60x60x20 mm

27.5~30.5 CFM



	P/N	Bearing	Rating Voltage (VDC)	Power Current (mA)	Power Consumption (WATTS)	Speed (RPM)	Air Flow (CFM)	Static Pressure (Inch-H <sub>2</sub> O)	Noise (dBA)	Weight (g)	Curve
PMD1206PKVX-A	GN	●	12	275	3.3	5500	30.5	0.35	40	55	1
PMD1206PKV1-A	GN	●	12	228	2.7	5000	27.5	0.28	38	55	2
PMD2406PKVX-A	GN	●	24	157	3.8	5500	30.5	0.35	40	55	1
PMD2406PKV1-A	GN	●	24	125	3.0	5000	27.5	0.28	38	55	2



\*All model could be customized. Please contact with Sunon Sales.

\*Specifications are subject to change without notice. Please Visit SUNON web site at <http://www.sunon.com> for update information.

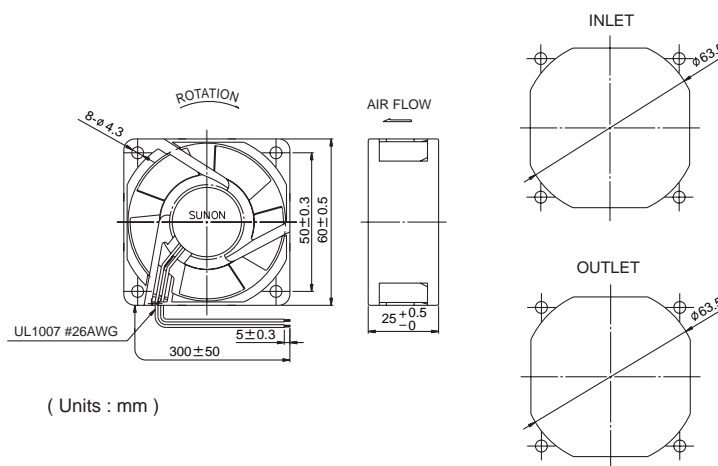
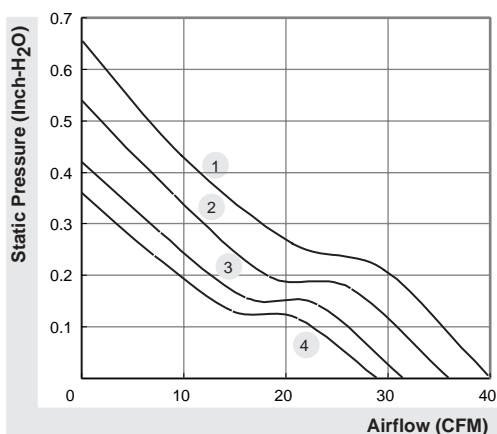
## 60x60x25 mm

## 29~40 CFM



MAGLeV by SUNON	P/N	Bearing	Rating Voltage (VDC)	Power Current (mA)	Power Consumption (WATTS)	Speed (RPM)	Air Flow (CFM)	Static Pressure (Inch-H <sub>2</sub> O)	Noise (dBA)	Weight (g)	Curve
PMD1206PTVX-A	U.GN	●	12	446	5.4	7600	40.0	0.64	45	75	1
PMD1206PTV1-A	U.GN	●	12	357	4.3	6900	36.0	0.54	43	75	2
PMD1206PTV2-A	U.GN	●	12	269	3.2	6100	31.5	0.42	41	75	3
PMD1206PTV3-A	U.GN	●	12	235	2.8	5600	29.0	0.36	37	75	4
PMD2406PTVX-A	U.GN	●	24	207	5.0	7600	40.0	0.64	45	75	1
PMD2406PTV1-A	U.GN	●	24	181	4.3	6900	36.0	0.54	43	75	2
PMD2406PTV2-A	U.GN	●	24	131	3.1	6100	31.5	0.42	41	75	3
PMD2406PTV3-A	U.GN	●	24	114	2.7	5600	29.0	0.36	37	75	4
PMD4806PTVX-A	U.GN	●	48	114	5.5	7600	40.0	0.64	45	75	1
PMD4806PTV1-A	U.GN	●	48	99	4.8	6900	36.0	0.54	43	75	2
PMD4806PTV2-A	U.GN	●	48	78	3.7	6100	31.5	0.42	41	75	3
PMD4806PTV3-A	U.GN	●	48	69	3.3	5600	29.0	0.36	37	75	4

Model	P/N	2BALL Sleeve	(VDC)	(mA)	(WATTS)	(RPM)	(CFM)	(Inch-H <sub>2</sub> O)	(dBA)	(g)	Curve
PMD2406PTBX-A	(2).U.GN	⊙	24	197	4.7	7600	40.0	0.64	46	75	1
PMD2406PTB1-A	(2).U.GN	⊙	24	158	3.8	6900	36.0	0.54	44	75	2
PMD2406PTB2-A	(2).U.GN	⊙	24	121	2.9	6100	31.5	0.42	42	75	3
PMD2406PTB3-A	(2).U.GN	⊙	24	104	2.5	5600	29.0	0.36	38	75	4
PMD4806PTBX-A	(2).U.GN	⊙	48	112	5.4	7600	40.0	0.64	46	75	1
PMD4806PTB1-A	(2).U.GN	⊙	48	90	4.3	6900	36.0	0.54	44	75	2
PMD4806PTB2-A	(2).U.GN	⊙	48	72	3.5	6100	31.5	0.42	42	75	3
PMD4806PTB3-A	(2).U.GN	⊙	48	68	3.3	5600	29.0	0.36	38	75	4



\*All model could be customized. Please contact with Sunon Sales.

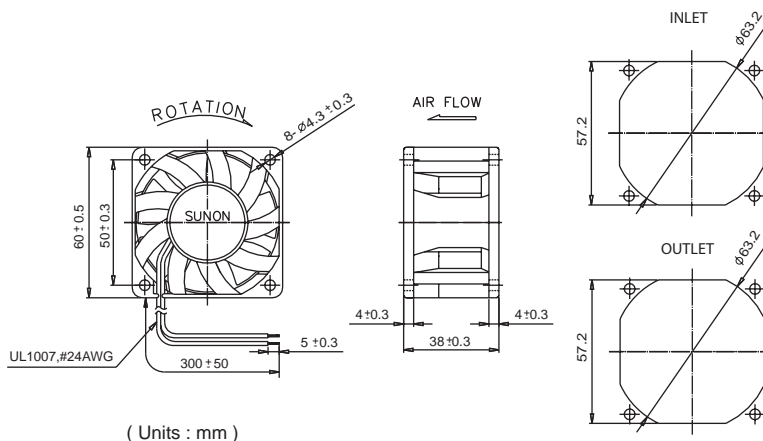
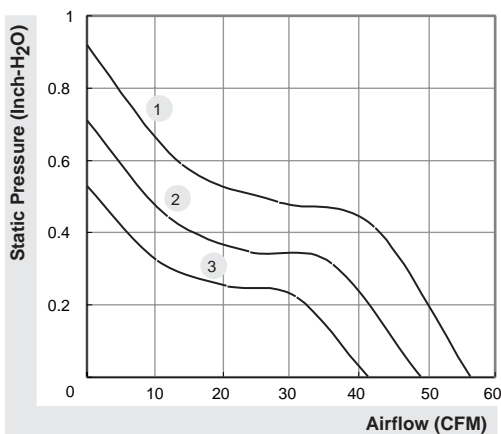
\*Specifications are subject to change without notice. Please Visit SUNON web site at <http://www.sunon.com> for update information.

60x60x38 mm

41.5~56.5 CFM



Model	P/N	Bearing ● 2BALL ○ Sleeve	Rating Voltage (VDC)	Power Current (mA)	Power Consumption (WATTS)	Speed (RPM)	Air Flow (CFM)	Static Pressure (Inch-H <sub>2</sub> O)	Noise (dBA)	Weight (g)	Curve
PMD1206PMB1-A	(2).GN	●	12	880	10.6	8000	56.5	0.92	56	90	1
PMD1206PMB2-A	(2).GN	●	12	580	7.0	7000	49.2	0.71	52	90	2
PMD1206PMB3-A	(2).GN	●	12	430	5.2	6000	41.5	0.53	47	90	3
PMD2406PMB1-A	(2).GN	●	24	430	10.3	8000	56.5	0.92	56	90	1
PMD2406PMB2-A	(2).GN	●	24	310	7.4	7000	49.2	0.71	52	90	2
PMD2406PMB3-A	(2).GN	●	24	220	5.3	6000	41.5	0.53	47	90	3
PMD4806PMB1-A	(2).GN	●	48	240	11.5	8000	56.5	0.92	56	90	1
PMD4806PMB2-A	(2).GN	●	48	180	8.6	7000	49.2	0.71	52	90	2
PMD4806PMB3-A	(2).GN	●	48	130	6.2	6000	41.5	0.53	47	90	3



\*All model could be customized. Please contact with Sunon Sales.

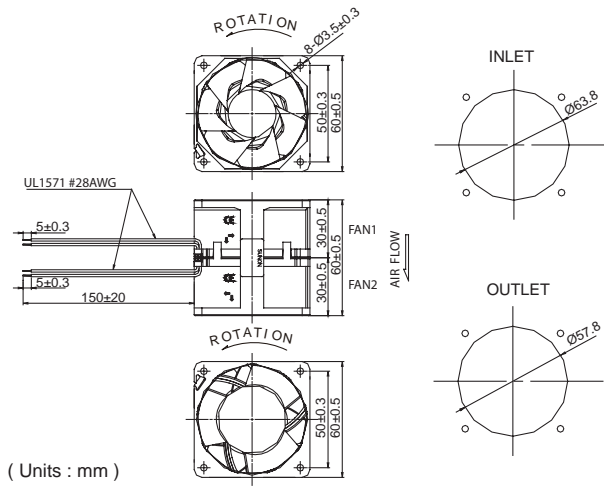
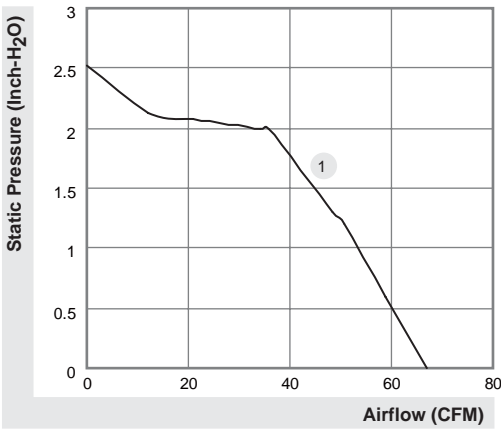
\*Specifications are subject to change without notice. Please Visit SUNON web site at <http://www.sunon.com> for update information.

60x60x60 mm

67 CFM



Model	P/N	Bearing ● 2BALL ○ Sleeve	Rating Voltage (VDC)	Power Current (mA)	Power Consumption (WATTS)	Speed (RPM)	Air Flow (CFM)	Static Pressure (Inch-H <sub>2</sub> O)	Noise (dBA)	Weight (g)	Curve
PSD1206PWB1-A	(2).Z.GN	●	12	1690	20.3	11500/11000	67	2.53	66.3	203	1
PSD1206PWB1-A	(2).Z.F.PWM.GN	●	12	1690	20.3	11500/11000	67	2.53	66.3	203	1
PSD1206PWB1-A	(2).Z.R.PWM.GN	●	12	1690	20.3	11500/11000	67	2.53	66.3	203	1





\*All model could be customized. Please contact with Sunon Sales.  
 \*Specifications are subject to change without notice. Please Visit SUNON web site at <http://www.sunon.com> for update information.

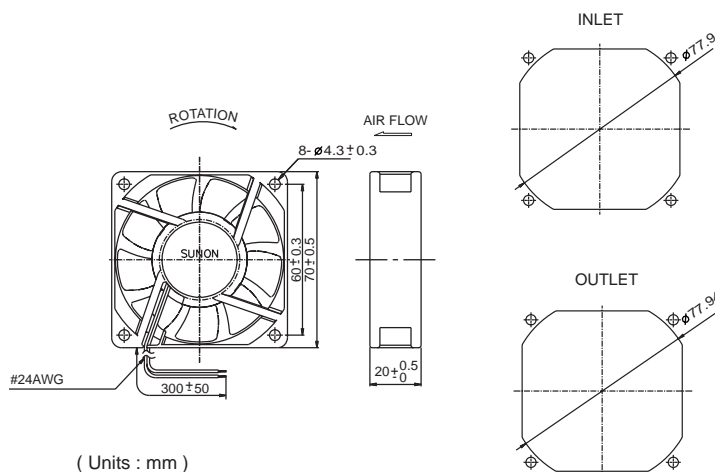
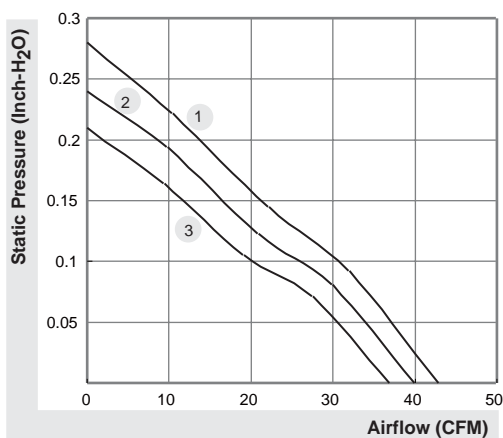
## 70x70x20 mm

### 37~43 CFM



	P/N	Bearing	Rating Voltage (VDC)	Power Current (mA)	Power Consumption (WATTS)	Speed (RPM)	Air Flow (CFM)	Static Pressure (Inch-H <sub>2</sub> O)	Noise (dBA)	Weight (g)	Curve
PMD1207PKV1-A	GN	●	12	390	4.7	4600	43	0.28	41.5	80	1
PMD1207PKV2-A	GN	●	12	310	3.7	4300	40	0.24	40.0	80	2
PMD1207PKV3-A	GN	●	12	260	3.1	4000	37	0.21	37.5	80	3

Model	P/N		(VDC)	(mA)	(WATTS)	(RPM)	(CFM)	(Inch-H <sub>2</sub> O)	(dBA)	(g)	Curve
PMD1207PKB1-A	(2).GN	⊙	12	390	4.7	4600	43	0.28	42.5	80	1
PMD1207PKB2-A	(2).GN	⊙	12	310	3.7	4300	40	0.24	41.0	80	2
PMD1207PKB3-A	(2).GN	⊙	12	260	3.1	4000	37	0.21	38.5	80	3
PMD2407PKB1-A	(2).GN	⊙	24	210	5.0	4600	43	0.28	42.5	80	1
PMD2407PKB2-A	(2).GN	⊙	24	170	4.1	4300	40	0.24	41.0	80	2
PMD2407PKB3-A	(2).GN	⊙	24	140	3.4	4000	37	0.21	38.5	80	3



\*All model could be customized. Please contact with Sunon Sales.

\*Specifications are subject to change without notice. Please Visit SUNON web site at <http://www.sunon.com> for update information.

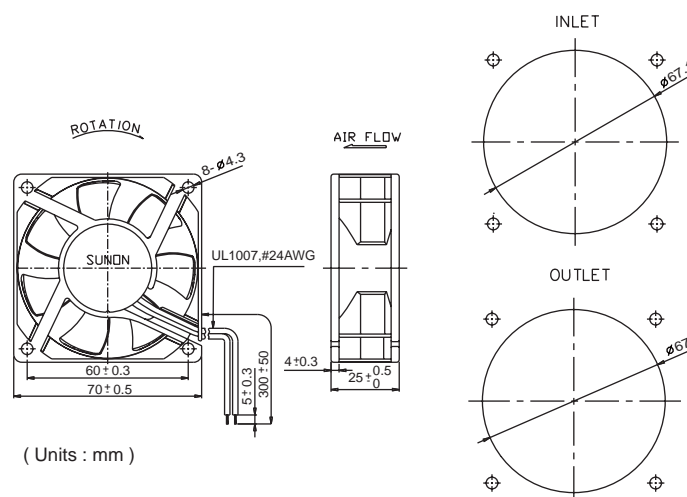
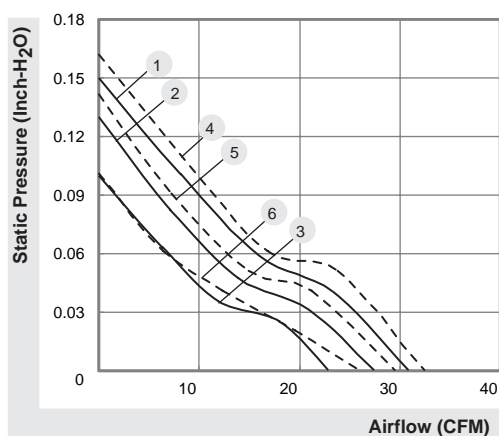
## 70x70x25 mm

## 24~32.5 CFM



MAGLeV by SUNON	P/N	Bearing	Rating Voltage (VDC)	Power Current (mA)	Power Consumption (WATTS)	Speed (RPM)	Air Flow (CFM)	Static Pressure (Inch-H <sub>2</sub> O)	Noise (dBA)	Weight (g)	Curve
KDE1207PTV1	13.MS.A.GN	●	12	120	1.4	3200	31.0	0.15	32	70	1
KDE1207PTV2	13.MS.A.GN	●	12	90	1.1	2900	28.0	0.13	29	70	2
KDE1207PTV3	13.MS.A.GN	●	12	60	0.7	2500	24.0	0.10	25	70	3
KDE2407PTV1	13.MS.A.GN	●	24	60	1.4	3200	31.0	0.15	32	72	1
KDE2407PTV2	13.MS.A.GN	●	24	50	1.2	2900	28.0	0.13	29	72	2
KDE2407PTV3	13.MS.A.GN	●	24	40	1.0	2500	24.0	0.10	25	72	3

Model	P/N	2BALL Sleeve	(VDC)	(mA)	(WATTS)	(RPM)	(CFM)	(Inch-H <sub>2</sub> O)	(dBA)	(g)	Curve
KD1207PTB1	13.(2).GN	⊕	12	120	1.4	3400	32.5	0.16	33	70	4
KD1207PTB2	13.(2).GN	⊕	12	100	1.2	3100	29.5	0.14	31	70	5
KD1207PTB3	13.(2).GN	⊕	12	70	0.8	2700	26.0	0.10	28	70	6
KD1207PTS1	13.GN	○	12	130	1.6	3200	31.0	0.15	32	70	1
KD1207PTS2	13.GN	○	12	100	1.2	2900	28.0	0.13	29	70	2
KD1207PTS3	13.GN	○	12	80	1.0	2500	24.0	0.10	25	70	3
KD2407PTB1	13.(2).GN	⊕	24	60	1.4	3400	32.5	0.16	33	72	4
KD2407PTB2	13.(2).GN	⊕	24	50	1.2	3100	29.5	0.14	31	72	5
KD2407PTB3	13.(2).GN	⊕	24	40	1.0	2700	26.0	0.10	28	72	6
KD2407PTS1	13.GN	○	24	60	1.4	3200	31.0	0.15	32	72	1
KD2407PTS2	13.GN	○	24	50	1.2	2900	28.0	0.13	29	72	2
KD2407PTS3	13.GN	○	24	40	1.0	2500	24.0	0.10	25	72	3




\*All model could be customized. Please contact with Sunon Sales.

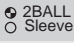
\*Specifications are subject to change without notice. Please Visit SUNON web site at <http://www.sunon.com> for update information.

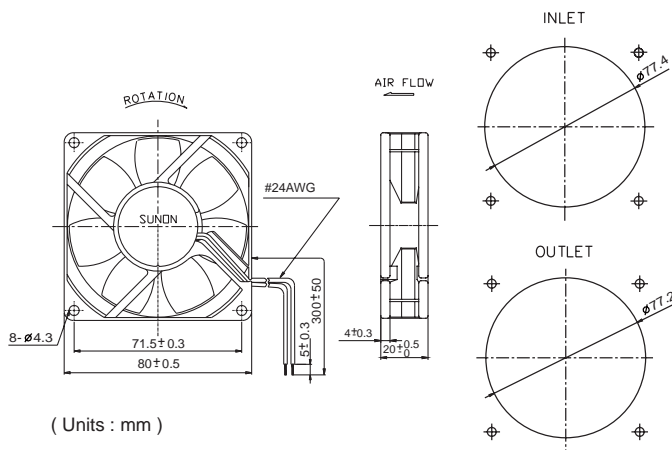
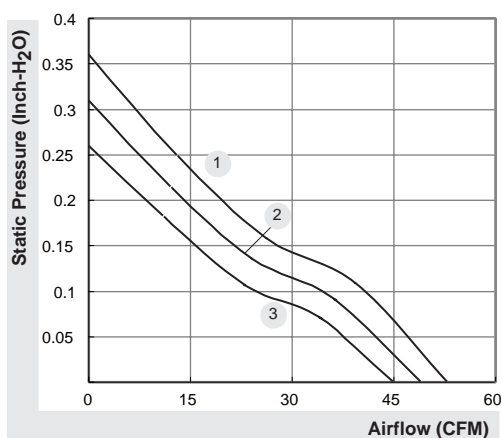
## 80x80x20 mm

### 45~53 CFM



	P/N	Bearing	Rating Voltage (VDC)	Power Current (mA)	Power Consumption (WATTS)	Speed (RPM)	Air Flow (CFM)	Static Pressure (Inch-H <sub>2</sub> O)	Noise (dBA)	Weight (g)	Curve
PMD1208PKV1-A	GN	●	12	390	4.7	4600	53	0.36	48	85	1
PMD1208PKV2-A	GN	●	12	310	3.7	4200	49	0.31	45	85	2
PMD1208PKV3-A	GN	●	12	260	3.1	3900	45	0.26	43	85	3

Model	P/N		(VDC)	(mA)	(WATTS)	(RPM)	(CFM)	(Inch-H <sub>2</sub> O)	(dBA)	(g)	Curve
PMD1208PKB1-A	(2).GN	⊙	12	390	4.7	4600	53	0.36	49	85	1
PMD1208PKB2-A	(2).GN	⊙	12	310	3.7	4200	49	0.31	46	85	2
PMD1208PKB3-A	(2).GN	⊙	12	260	3.1	3900	45	0.26	44	85	3
PMD2408PKB1-A	(2).GN	⊙	24	210	5.0	4600	53	0.36	49	85	1
PMD2408PKB2-A	(2).GN	⊙	24	170	4.1	4200	49	0.31	46	85	2
PMD2408PKB3-A	(2).GN	⊙	24	140	3.4	3900	45	0.26	44	85	3



\*All model could be customized. Please contact with Sunon Sales.

\*Specifications subject to change without notice. Please Visit SUNON web site at <http://www.sunon.com> for update information.

80x80x25 mm



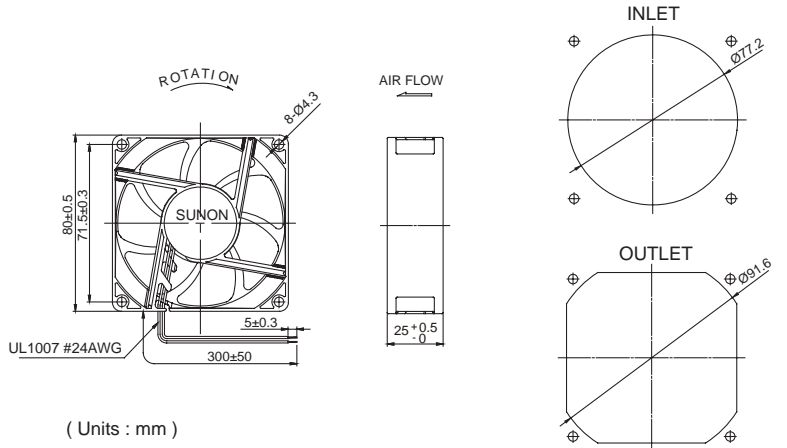
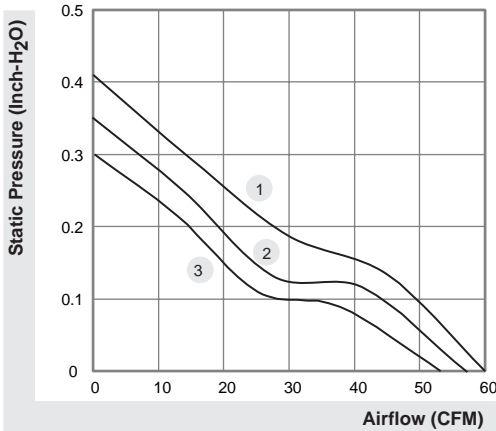
53~60 CFM



	Bearing	Rating Voltage (VDC)	Power Current (mA)	Power Consumption (WATTS)	Speed (RPM)	Air Flow (CFM)	Static Pressure (Inch-H <sub>2</sub> O)	Noise (dBA)	Weight (g)	Curve
	● VAPO									
PF80251V1-0000-A99	●	12	341	4.1	4800	60	0.41	46.5	91	1
PF80251V2-0000-A99	●	12	285	3.4	4500	57	0.35	45.0	91	2
PF80251V3-0000-A99	●	12	223	2.7	4200	53	0.30	43.5	91	3

Model		(VDC)	(mA)	(WATTS)	(RPM)	(CFM)	(Inch-H <sub>2</sub> O)	(dBA)	(g)	Curve
PF80251B1-0000-A99	⊕	12	341	4.1	4800	60	0.41	47.5	91	1
PF80251B2-0000-A99	⊕	12	285	3.4	4500	57	0.35	46.0	91	2
PF80251B3-0000-A99	⊕	12	223	2.7	4200	53	0.30	44.5	91	3

\* PWM available.



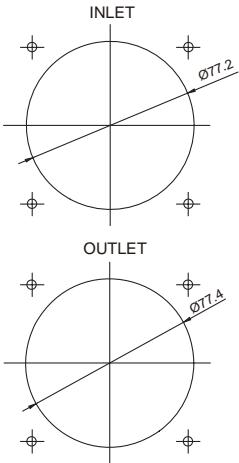
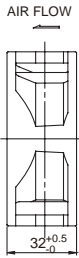
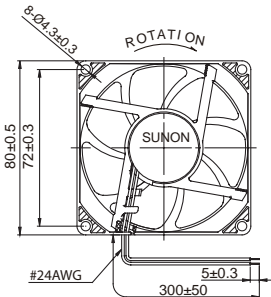
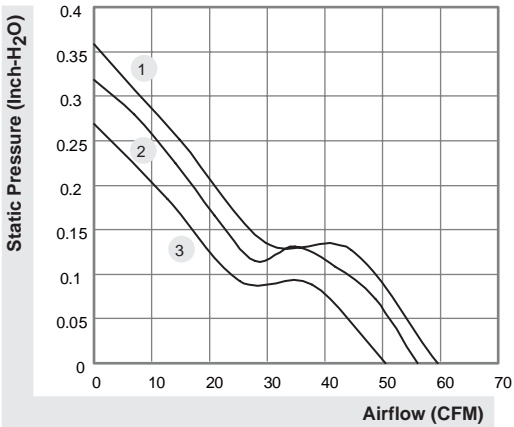
\*All model could be customized. Please contact with Sunon Sales.  
 \*Specifications are subject to change without notice. Please Visit SUNON web site at <http://www.sunon.com> for update information.

80x80x32 mm

50.3~59.4 CFM



Model	P/N	Bearing ● 2BALL ○ Sleeve	Rating Voltage (VDC)	Power Current (mA)	Power Consumption (WATTS)	Speed (RPM)	Air Flow (CFM)	Static Pressure (Inch-H <sub>2</sub> O)	Noise (dBA)	Weight (g)	Curve
PF80321B1-0000-A99		●	12	310	3.7	4800	59.4	0.36	45.2	96	1
PF80321B2-0000-A99		●	12	230	2.8	4500	55.9	0.32	43.1	96	2
PF80321B3-0000-A99		●	12	200	2.4	4100	50.3	0.27	41.1	96	3



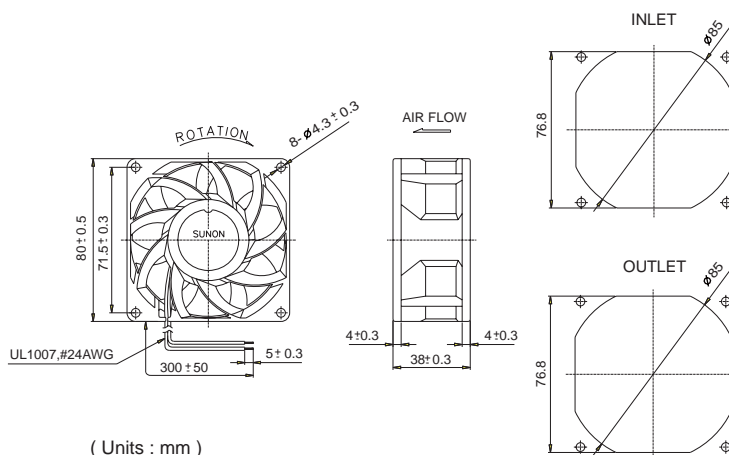
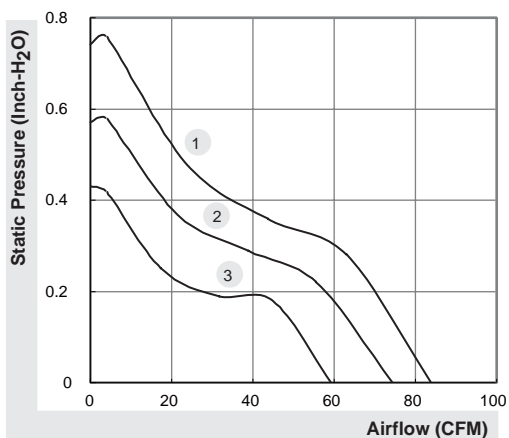
\*All model could be customized. Please contact with Sunon Sales.  
 \*Specifications subject to change without notice. Please Visit SUNON web site at <http://www.sunon.com> for update information.

80x80x38 mm

59.5~84.1 CFM



Model	P/N	Bearing ● 2BALL ○ Sleeve	Rating Voltage (VDC)	Power Current (mA)	Power Consumption (WATTS)	Speed (RPM)	Air Flow (CFM)	Static Pressure (Inch-H <sub>2</sub> O)	Noise (dBA)	Weight (g)	Curve
PMD1208PMB1-A	(2).GN	●	12	760	9.1	5700	84.1	0.74	55.2	175	1
PMD1208PMB2-A	(2).GN	●	12	530	6.4	4900	74.5	0.57	51.6	175	2
PMD1208PMB3-A	(2).GN	●	12	370	4.4	4200	59.5	0.43	47.3	175	3
PMD2408PMB1-A	(2).GN	●	24	400	9.6	5700	84.1	0.74	55.2	175	1
PMD2408PMB2-A	(2).GN	●	24	300	7.2	4900	74.5	0.57	51.6	175	2
PMD2408PMB3-A	(2).GN	●	24	200	4.8	4200	59.5	0.43	47.3	175	3
PMD4808PMB1-A	(2).GN	●	48	190	9.1	5700	84.1	0.74	55.2	175	1
PMD4808PMB2-A	(2).GN	●	48	140	6.7	4900	74.5	0.57	51.6	175	2
PMD4808PMB3-A	(2).GN	●	48	100	4.8	4200	59.5	0.43	47.3	175	3



\*All model could be customized. Please contact with Sunon Sales.

\*Specifications subject to change without notice. Please Visit SUNON web site at <http://www.sunon.com> for update information.

92x92x25 mm

65~75 CFM

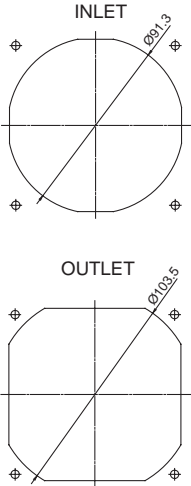
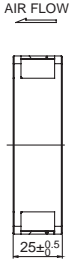
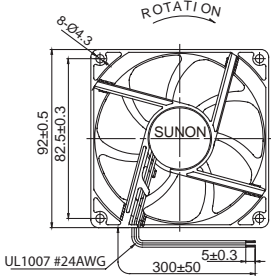
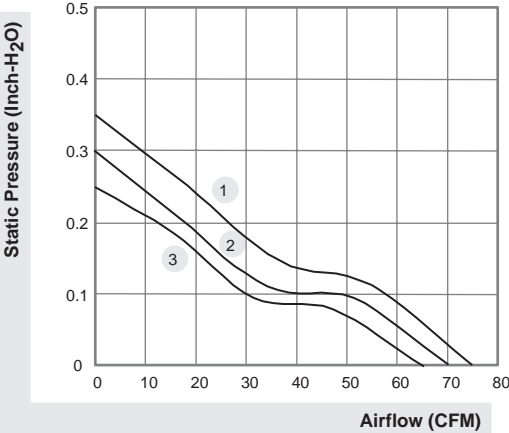


	Bearing	Rating Voltage	Power Current	Power Consumption	Speed	Air Flow	Static Pressure	Noise	Weight	Curve
	● VAPO	(VDC)	(mA)	(WATTS)	(RPM)	(CFM)	(Inch-H <sub>2</sub> O)	(dBA)	(g)	
PF92251V1-0000-A99	●	12	393	4.7	4500	75	0.35	46	103	1
PF92251V2-0000-A99	●	12	325	3.9	4200	70	0.30	44	103	2
PF92251V3-0000-A99	●	12	260	3.1	3900	65	0.25	42	103	3

Model		(VDC)	(mA)	(WATTS)	(RPM)	(CFM)	(Inch-H <sub>2</sub> O)	(dBA)	(g)	Curve
PF92251B1-0000-A99	⊕	12	393	4.7	4500	75	0.35	47	98	1
PF92251B2-0000-A99	⊕	12	325	3.9	4200	70	0.30	45	98	2
PF92251B3-0000-A99	⊕	12	260	3.1	3900	65	0.25	43	98	3

\* PWM available.



\*All model could be customized. Please contact with Sunon Sales.  
 \*Specifications are subject to change without notice. Please Visit SUNON web site at <http://www.sunon.com> for update information.

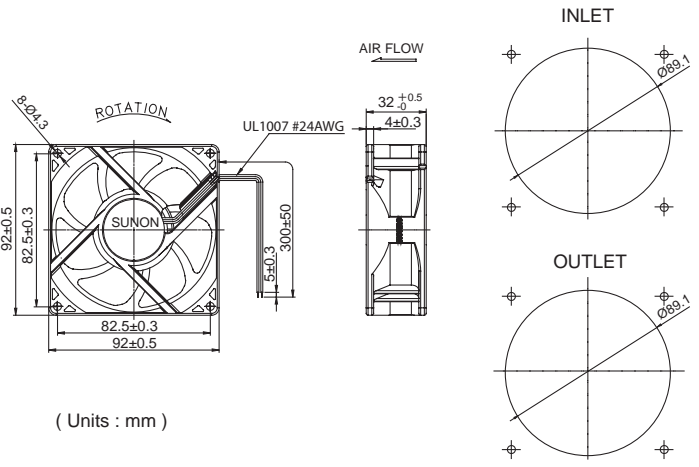
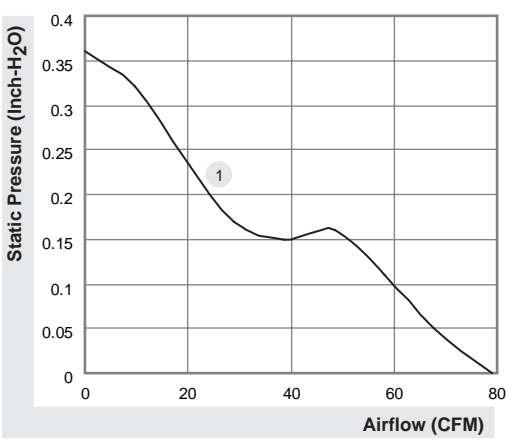
92x92x32 mm



79 CFM



	P/N	Bearing	Rating Voltage (VDC)	Power Current (mA)	Power Consumption (WATTS)	Speed (RPM)	Air Flow (CFM)	Static Pressure (Inch-H <sub>2</sub> O)	Noise (dBA)	Weight (g)	Curve
		● VAPO									
PSD1209PLV2-A	Z.GN	●	12	350	4.2	4000	79	0.36	42.1	186	1
PSD1209PLV2-A	Z.F.PWM.GN	●	12	350	4.2	4000	79	0.36	42.1	186	1



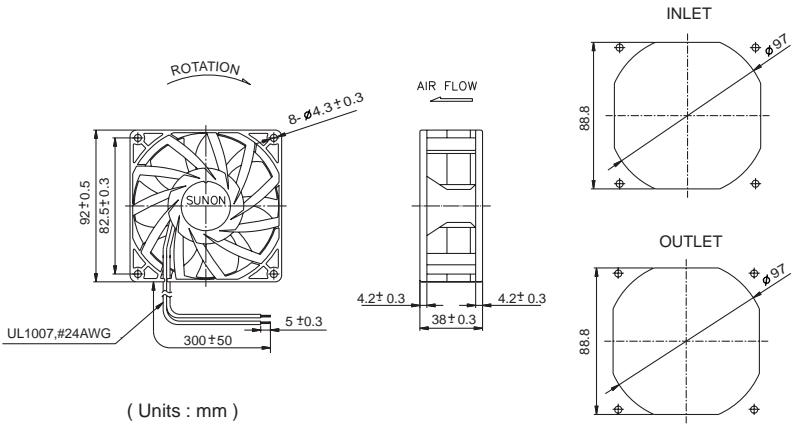
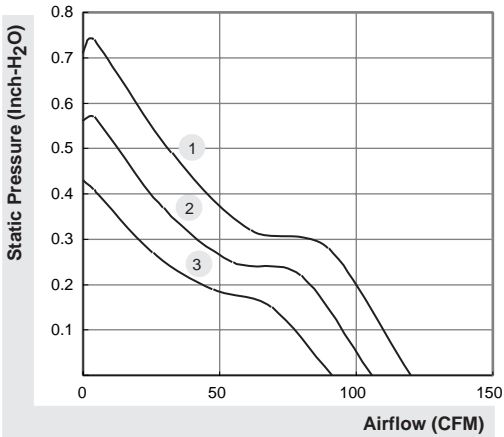
\*All model could be customized. Please contact with Sunon Sales.  
 \*Specifications are subject to change without notice. Please Visit SUNON web site at <http://www.sunon.com> for update information.

92x92x38 mm

91.7~120.2 CFM



Model	P/N	Bearing ● 2BALL ○ Sleeve	Rating Voltage (VDC)	Power Current (mA)	Power Consumption (WATTS)	Speed (RPM)	Air Flow (CFM)	Static Pressure (Inch-H <sub>2</sub> O)	Noise (dBA)	Weight (g)	Curve
PMD1209PMB1-A	(2).GN	●	12	1040	12.5	4900	120.2	0.71	57.6	190	1
PMD1209PMB2-A	(2).GN	●	12	710	8.5	4400	106.3	0.56	53.8	190	2
PMD1209PMB3-A	(2).GN	●	12	470	5.6	3800	91.7	0.43	50.3	190	3
PMD2409PMB1-A	(2).GN	●	24	510	12.2	4900	120.2	0.71	57.6	190	1
PMD2409PMB2-A	(2).GN	●	24	400	9.6	4400	106.3	0.56	53.8	190	2
PMD2409PMB3-A	(2).GN	●	24	250	6.0	3800	91.7	0.43	50.3	190	3
PMD4809PMB1-A	(2).GN	●	48	240	11.5	4900	120.2	0.71	57.6	190	1
PMD4809PMB2-A	(2).GN	●	48	160	7.7	4400	106.3	0.56	53.8	190	2
PMD4809PMB3-A	(2).GN	●	48	120	5.8	3800	91.7	0.43	50.3	190	3



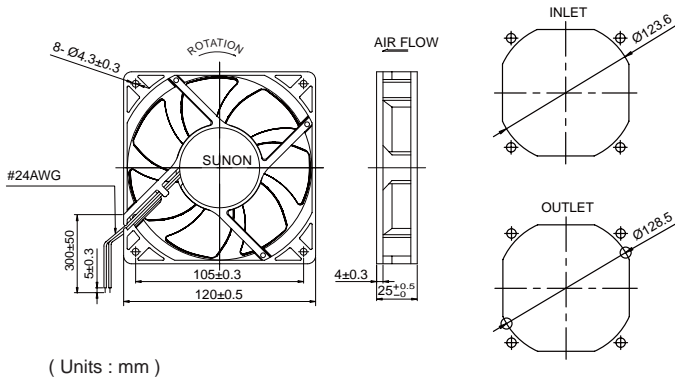
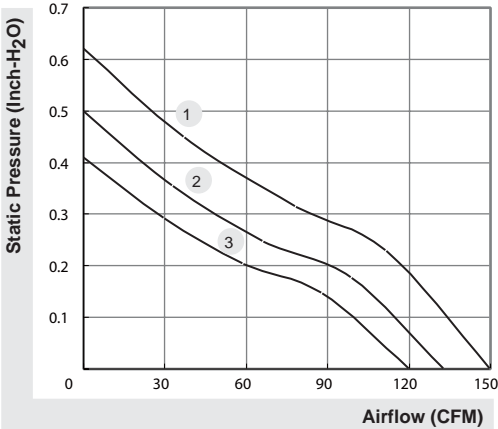
\*All model could be customized. Please contact with Sunon Sales.  
 \*Specifications are subject to change without notice. Please Visit SUNON web site at <http://www.sunon.com> for update information.

120x120x25 mm

120~150 CFM



Model	P/N	Bearing ● 2BALL ○ Sleeve	Rating Voltage (VDC)	Power Current (mA)	Power Consumption (WATTS)	Speed (RPM)	Air Flow (CFM)	Static Pressure (Inch-H <sub>2</sub> O)	Noise (dBA)	Weight (g)	Curve
PMD1212PTB1-A	(2).GN	●	12	1000	12.0	4500	150	0.62	54	220	1
PMD1212PTB3-A	(2).GN	●	12	540	6.5	3600	120	0.41	48	220	3
PMD2412PTB1-A	(2).GN	●	24	490	11.8	4500	150	0.62	54	220	1
PMD2412PTB3-A	(2).GN	●	24	280	6.7	3600	120	0.41	48	220	3
PMD4812PTB1-A	(2).GN	●	48	260	12.5	4500	150	0.62	54	220	1
PMD4812PTB2-A	(2).GN	●	48	190	9.1	4000	133	0.50	51	220	2



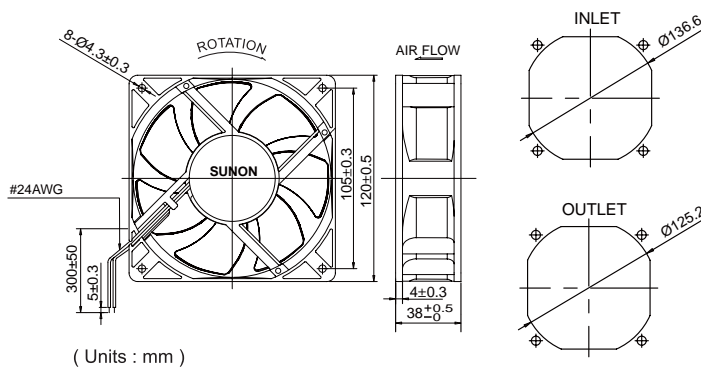
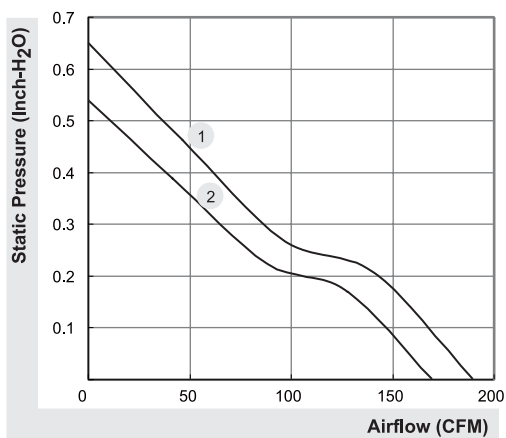
\*All model could be customized. Please contact with Sunon Sales.  
 \*Specifications are subject to change without notice. Please Visit SUNON web site at <http://www.sunon.com> for update information.

## 120x120x38 mm

## 170~190 CFM



Model	P/N	Bearing ● 2BALL ○ Sleeve	Rating Voltage (VDC)	Power Current (mA)	Power Consumption (WATTS)	Speed (RPM)	Air Flow (CFM)	Static Pressure (Inch-H <sub>2</sub> O)	Noise (dBA)	Weight (g)	Curve
PMD1212PMB1-A	(2).GN	●	12	1600	19.2	4200	190	0.65	54	330	1
PMD1212PMB2-A	(2).GN	●	12	1200	14.4	3800	170	0.54	51	330	2
PMD2412PMB1-A	(2).GN	●	24	760	18.2	4200	190	0.65	54	330	1
PMD2412PMB2-A	(2).GN	●	24	570	13.7	3800	170	0.54	51	330	2
PMD4812PMB1-A	(2).GN	●	48	400	19.2	4200	190	0.65	54	330	1
PMD4812PMB2-A	(2).GN	●	48	300	14.4	3800	170	0.54	51	330	2



\*All model could be customized. Please contact with Sunon Sales.

\*Specifications are subject to change without notice. Please Visit SUNON web site at <http://www.sunon.com> for update information.