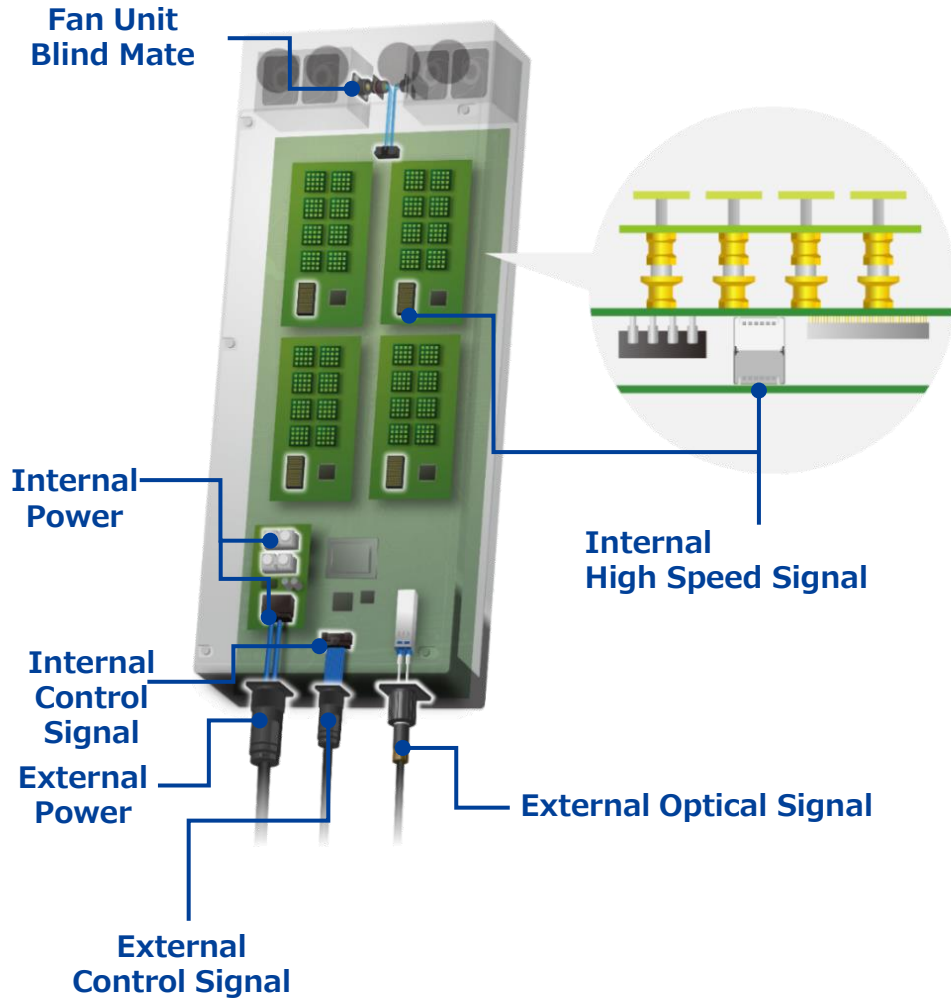


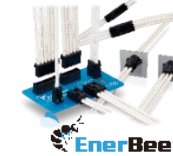
Connectors for 5G Base Stations



Internal Power



DF60
 Rated Current:
 65A Max.
 Pitch: 10.16mm
 No. of Pos.: 1-6
 AWG: 8-12



DF63
 Rated Current:
 15A Max.
 Pitch: 3.96mm
 No. of Pos.: 1-6
 AWG: 16-22



DF63SF
 Rated Current:
 15A Max.
 Pitch: 3.96, 7.92mm
 No. of Pos.: 1-6
 AWG: 8-12



IT-P
 Rated Current:
 IT-PA/PB : 40A Max.
 IT-P : 60A Max.
 No. of Pos.: 2
 Stacking Height:
 IT-PA/PB: 10-15mm
 IT-P : 16-66mm



FX30B *FunctionMAX*
 Rated Current: 25A Max.
 Pitch: 3.81, 7.62mm
 No. of Pos.: 2-5

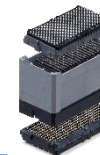
Internal Control Signal



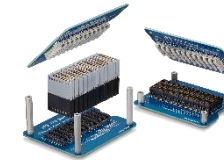
DF50
 Rated Current: 1A
 Pitch: 1.0mm
 No. of Pos.: 2-50
 AWG: 26-32



DF51
 Rated Current:
 3A Max.
 Pitch: 2.0mm
 No. of Pos.: 2-30
 AWG: 22-30



IT5
 25+Gbps High Speed
 No. of Pos.:
 100, 200, 300
 Stacking Height:
 14-40mm



IT8
 56+Gbps High Speed
 (3 Piece)
 No. of Pos.:
 120, 192, 288
 Stacking Height:
 10-46mm



FX23/FX23L *FunctionMAX*
 8+Gbps High Speed
 Pitch: 0.5mm
 No. of Pos.: 2-120 (Signal)
 4 (Power)
 Stacking Height: 8-30mm



ER8 *FunctionMAX*
 18+Gbps High Speed
 Stacking Height : 7~
 12mm
 No. of Pos. : 10-140

Fan Unit Blind Mate



HR34P
 IPX7, IPX8 Waterproof
 Rated Current: 3A
 No. of Pos.: 10
 AWG: 20-25

External Power



JR-W
 IP67, IP68 Waterproof
 Screwing
 Anti-corrosion

External Control Signal



LF
 IP67, IP68 Waterproof
 Compact, Rugged,
 Bayonet Lock
 Metal Shell,
 Black Chrome Plating

External Optical Signal



SW20
 Bayonet Lock,
 IP67 Waterproof
 Built-in Standard
 Optical Connectors (SC/LC)
 Metal Shell, Black Chrome Plating