

The Avago Advantage



Applications Solutions

Avago Technologies Solutions for **Exercise Equipment**



Your Imagination, Our Innovation

Avago Technologies Solutions for Exercise Equipment

Avago Technologies provides solutions for various elements of electronic exercise equipment. These include current sensing and control of motors such as the treadmill belt drive motor, encoders to sense the position and speed of the motors used in close-loop mode controlling positioning of equipment parts or actuators, and display elements for displaying information viewed by the user.



Optical Encoders

Avago offers a broad range of optical encoders including absolute, incremental and magnetic versions featuring

- Single and multi-turn versions
- A variety of resolutions
- Transmissive and reflective versions

Featured Products

- Reflective optical encoders
- Multi-turn encoders
- Single-turn absolute encoders
- Incremental encoders and code wheels



Isolation Amplifiers

Avago isolation amplifier optocouplers provide high precision, stability, and common mode rejection for current and voltage sensing applications without compromising high noise or magnetic field immunity.

Featured Products

- Miniature Isolation Amplifiers
- Optically Isolated Sigma-Delta Modulator (External clock) with Digital Output



IGBT Gate Drivers

Avago gate drive optocouplers provide isolated high current gate driver for IGBTs and MOSFETs. These gate drive optocouplers come in wide range of output current from 0.4A to 5A, and selected parts with integrated features such as Active Miller Clamp, under voltage lockout, fault status feedback and de-saturation detection.

Featured Products

- (Active Miller Clamp, rail-to-rail output voltage) Isolated Gate Driver
- (Fault status feedback, automatic fault reset) Isolated Gate Driver

Smart Display Serial Interface
 Parallel Interface Four-Digit Displays
 Parallel Interface Single-Digit Displays
 Seven-Segment Displays

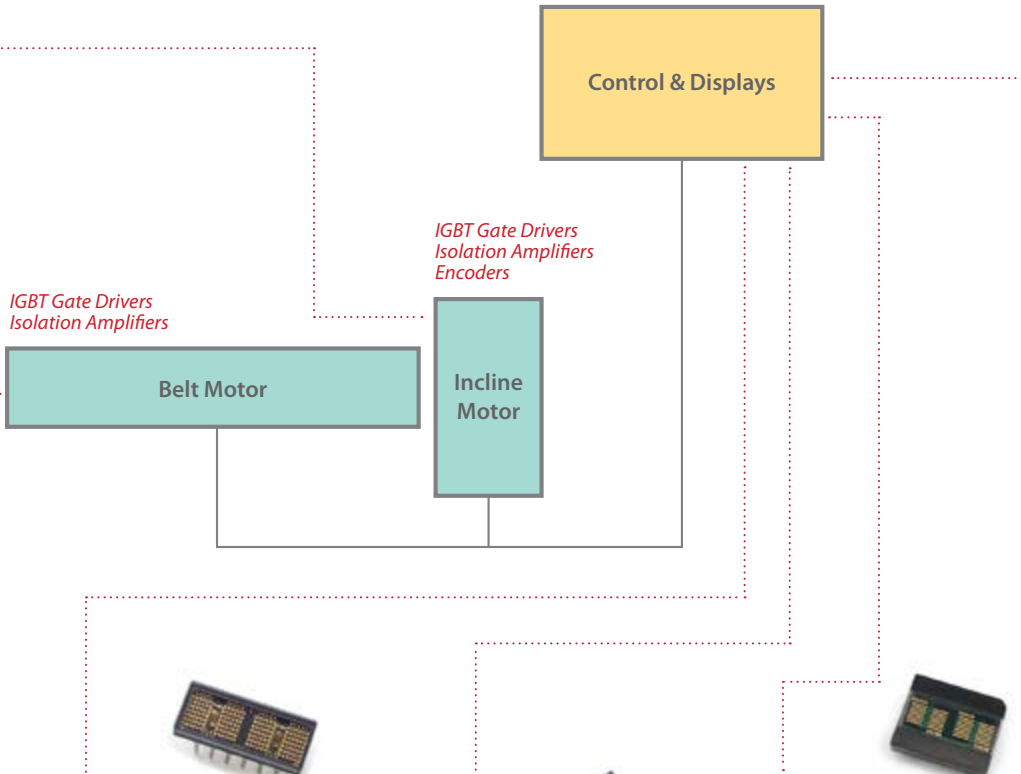


7.6/10/13mm Seven Segment Displays

The 10 mm (0.4 inch) three digit slim font seven segment displays incorporate a new slim font character design with specially mitered segments to give a fuller appearance to the illuminated character. The 7.6 mm (0.3 inch) LED seven segment displays are designed for viewing distances up to 3 meters (10 feet).

Featured Products

- 10 mm three digit slim font with 2-colons seven segment displays
- 4 digit seven segment display
- 10mm and 13mm slim font seven segment displays
- 7.6mm Micro-Bright seven segment displays



Smart Display Serial Interface

This product is a high performance, easy to use dot matrix display driven by on-board CMOS IC allowing direct interface with a microprocessor with no additional interface components. The 5 x 7 pixel format allows the user great freedom to generate user-defined characters. This display is stackable in the x-and y-directions, making it ideal for high character count displays with a minimum of data lines.

Featured Products

- High brightness and high performance CMOS 5 x 7 alphanumeric displays

Smart Displays - Parallel Interface, Single Character

These displays offer a 7.4mm dot matrix character and on-board IC with data memory latch/ decoder and LED drivers in a glass/ceramic package.

Featured Products

- Glass/ceramic numeric and hexadecimal displays
- Hexadecimal and numeric displays

Smart Displays - Parallel Interface, 4 Characters

These 4-character 5 x 7 dot matrix displays are driven by an on-board CMOS ASCII decoder and driver IC. They have fast setup and hold times that make it easy to interface them to a microprocessor.

Featured Products

- Four character smart 5 x 7 alphanumeric displays



14.2mm Seven Segment Displays

The 14.2 mm (0.56 inch) LED seven segment displays are designed for viewing distances up to 7 meters (23 feet). They feature industry-standard size and pinout, wide viewing angle, high light output and are excellent for long digit string multiplexing.

Featured Products

- Single and dual digit displays.



Your Imagination. Our Innovation

Avago Technologies is a leading designer, developer and global supplier of a broad range of analog, digital, mixed signal and optoelectronics components and subsystems with a focus in III-V compound semiconductor design and processing. Backed by an extensive portfolio of intellectual property, Avago products serve four primary target markets: wireless communications, wired infrastructure, enterprise storage, and industrial and other. Avago has a global employee presence and rich heritage of technical innovation spanning over six decades.

Avago has strong market positions across a broad range of market segments with highly differentiated products that include:

- Film Bulk Acoustic Resonator (FBAR) Filters
- RF Front End Modules
- Parallel Optics Transceivers
- High Speed SerDes ASIC
- HDD Read Channel & PreAmps
- RAID and SAS I/O Controllers
- PCIe Switches
- Optocouplers
- Motion Encoders
- Industrial Fiber Solutions
- LED Display & Signage Solutions



Contact us for your design needs at: www.avagotech.com

Avago, Avago Technologies, and the A logo are trademarks of Avago Technologies in the United States and other countries.
Data subject to change. Copyright © 2013-2014 Avago Technologies
AV00-0206EN 11/12/14

AVAGO
TECHNOLOGIES