

## Endoscopic System

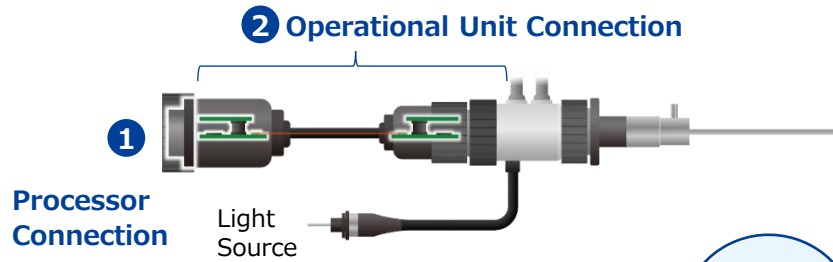


## Endoscope

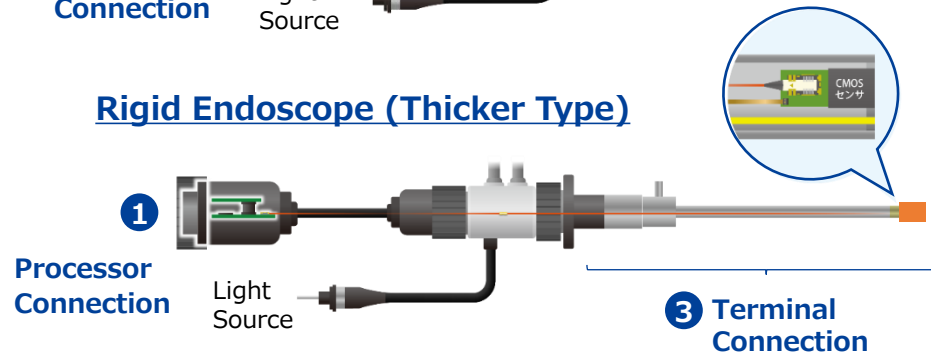
### Flexible Endoscope



### Rigid Endoscope (Thinner Type)



### Rigid Endoscope (Thicker Type)



## 1 2 Board-to-Board for Processor/Operational Unit Connection



### DF40

Pitch : 0.4mm  
Stacking Height : 1.5-4.0mm  
No. of Pos.: 10-120



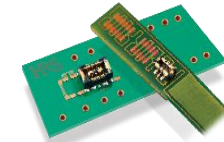
### DF40T

125°C High Heat Resistance  
Pitch : 0.4mm  
Stacking Height : 1.5-7.0mm  
No. of Pos.: 10-120  
Wide Variations



### BM28

Pitch : 0.35mm  
Depth : 1.7mm  
Stacking Height : 0.6mm  
No. of Pos.: 2 (Power)  
6-60 (Signal)



### BM29

Pitch : 0.35mm  
Depth : 1.5mm  
Stacking Height : 0.6mm  
No. of Pos.: 2 (Power)  
2-24 (Signal)

## 3 Terminal Connection



### BF4M

- Ultra-small Optical Transmission Module
- 6.25Gbps
- High Speed Transmission
- EMI Protection



### FJ

- Compact optical fiber in-line connector
- Easy and Secure Bayonet Lock
- ø0.5 Bending Resistant Fiber (GI 50/80)
- ø0.9 General Purpose Fiber (GI 50/125)