

har-flexicon® is the robust PCB termination technology for single wires. Components for the termination of industrial devices in the pitches of 1.27 mm, 2.54 mm, 3.50/3.81 mm and 5.00/5.08 mm are available. All components are particularly suited for reflow-soldering on the PCB and offer field assembly with PushIn and insulation displacement termination for single wires.

Application profile:

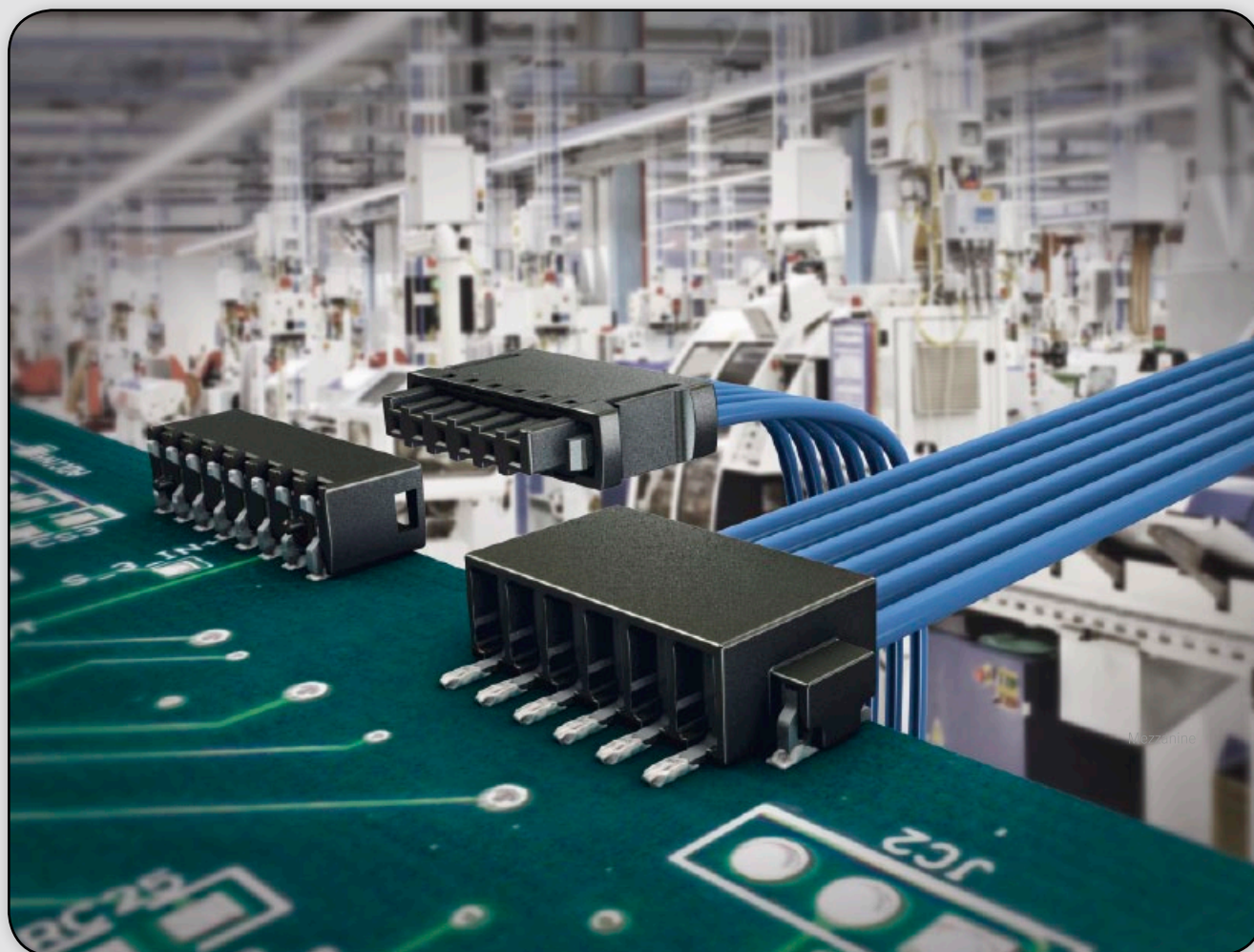
CONNECTION TYPE		ENVIRONMENT		APPLICATION							
Board to Board	Cable/Wire to Board	IP 20	IP 65 / IP 67	Data	Signal	Power	high performance				
				Data transfer rate	Shielding	Number of contacts, contact density	Voltage, working current				
Cable termination			PCB termination			Application standard					
Han-Quick Lock®	IDC	Crimp	THT	SMC	SMT						
Screw	Cage clamp / PushIn	Axial screw	Press-in	Housing integration							
				Separate housing	Integrated housing						

CONTENTS	PAGE
<b><i>har-flexicon</i><sup>®</sup> connector system – introduction</b>	15.02
Pitches 1.27 mm / 2.54 mm	
PCB connectors female with IDC termination	15.04
PCB terminal blocks with push-in-spring-cage termination	15.06
PCB connectors female with push-in-spring-cage termination	15.08
PCB connectors male	15.10
Pitches 3.50 mm / 3.81 mm	
PCB terminal blocks with push-in-spring-cage termination	15.12
PCB terminal blocks with screw termination	15.14
PCB connectors female with push-in-spring-cage termination	15.16
PCB connectors female with screw termination	15.18
PCB connectors male	15.20
Pitches 5.00 mm / 5.08 mm	
PCB terminal blocks with push-in-spring-cage termination	15.22
PCB terminal blocks with screw termination	15.24
PCB connectors female with push-in-spring-cage termination	15.28
PCB connectors female with screw termination	15.30
PCB connectors male	15.32

### *har-flexicon*® CONNECTORS

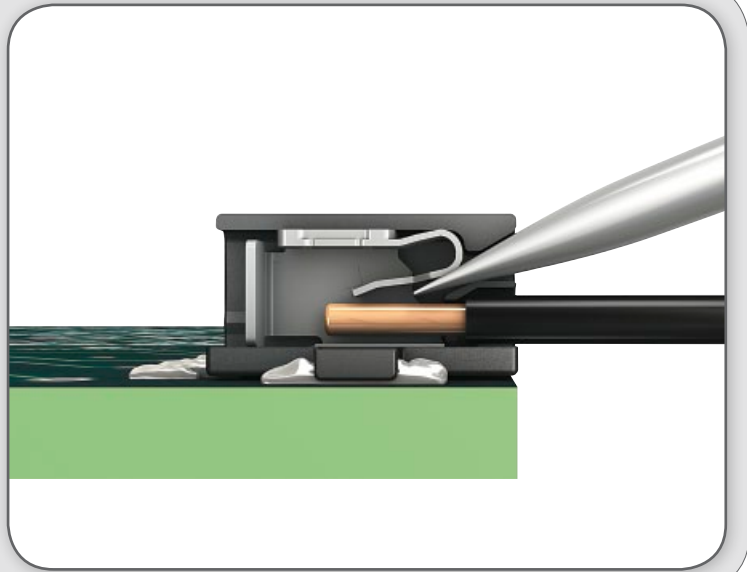
Innovative device connectivity technology for all lifelines of industrial devices - it routes power, data and signals through the side of the device to the PCB.

HARTING *har-flexicon*® is the miniature SMD connector for the rapid connection of single wires and provides a perfect link between the periphery and PCBs in industrial devices. HARTING is thereby continuing along the path already taken with the *har-flex*® of rethinking and methodically optimizing device connectivity technology.



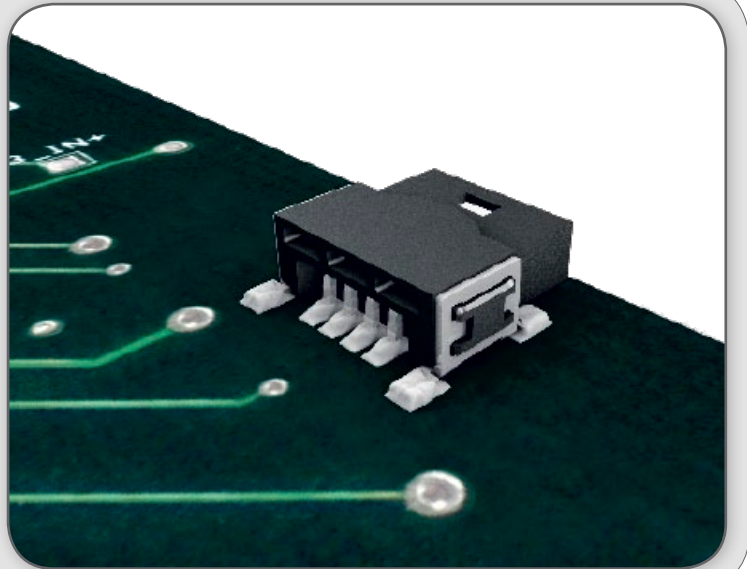
## RAPID CONNECTION OF INDIVIDUAL WIRES

*har-flexicon*® is very easy and quick to use for the smallest of designs. This, in conjunction with a precise cable manager, is what the IDC and the push-in spring-cage termination technology guarantees.



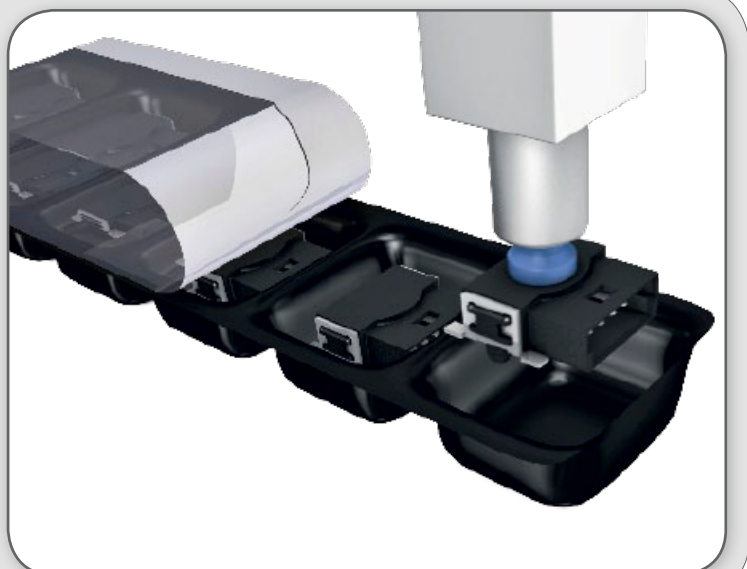
## ROBUST SMD DESIGN

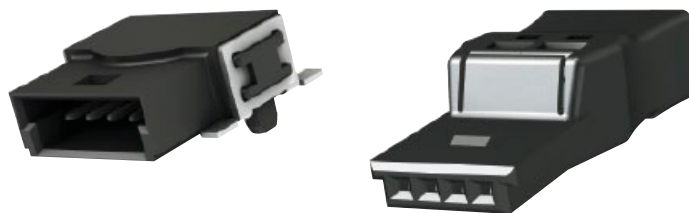
The large-area SMT fixings of *har-flexicon*® provide a sturdy connection to the PCB. Insertion and withdrawal forces can be absorbed in order to take the pressure off solder contacts on the connection side.



## FULLY AUTOMATIC PROCESSING

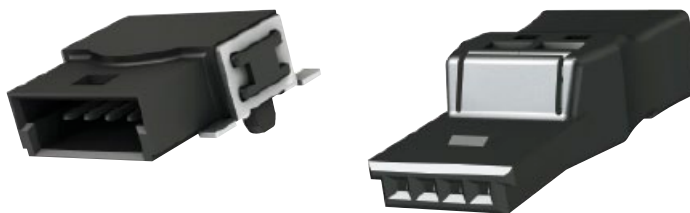
The use of reflow and SMD-solderable components in automated mount and soldering processes simplifies, and hence optimizes, the production of PCBs.





PCB connectors with IDC termination  
for SMT reflow soldering  
pitch 1.27 mm

Identification	No. of contacts	Part No.	Packaging unit (pieces)
PCB connectors with IDC termination			
Female	4	14 31 041 0301 000	50
Male	4	14 11 041 0002 000	560
Screw driver, 1.5 x 40		14 99 000 0002	

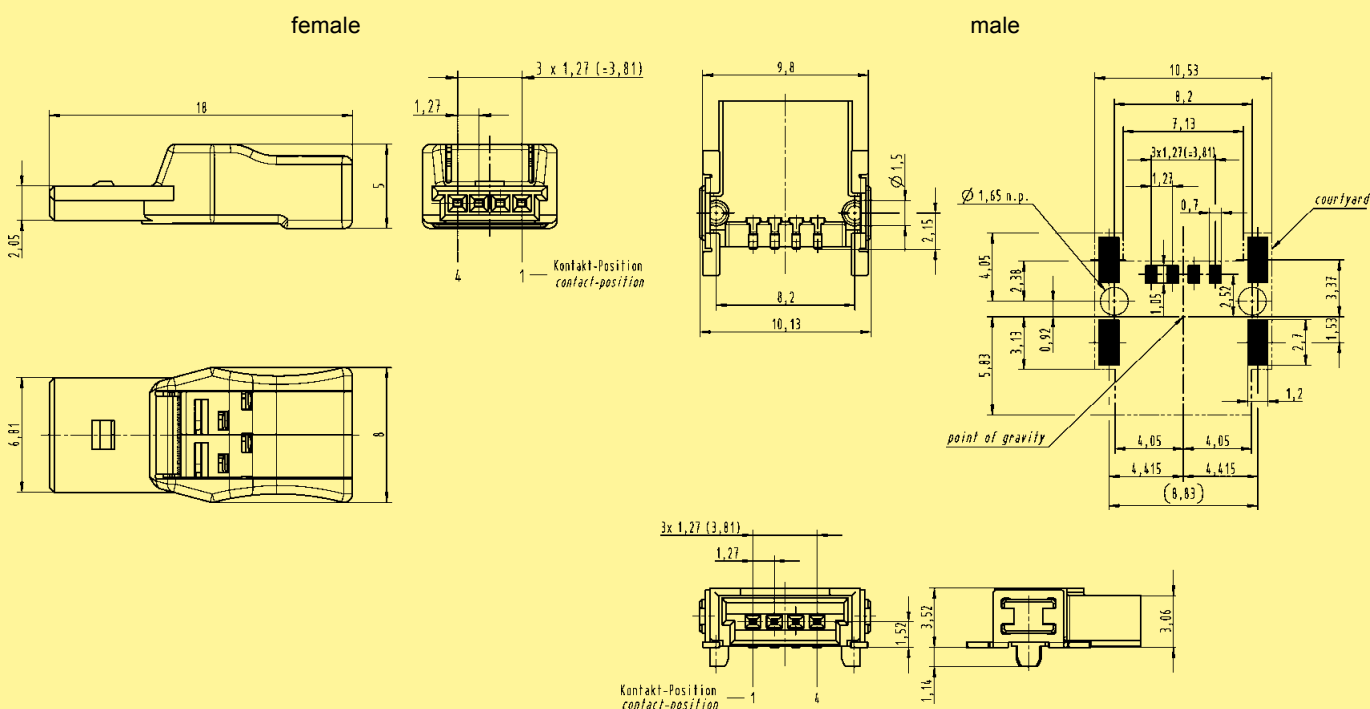


PCB connectors with IDC termination  
for SMT reflow soldering  
pitch 1.27 mm

Drawing

Dimensions in mm

Dimensions



Technical characteristics

Technical data

Rated current 2 A  
Pitch 1.27 mm

Surge voltage category /  
pollution degree

Rated voltage  
Rated surge voltage

III/3	III/2	II/2
–	–	16 V
–	–	0.5 kV

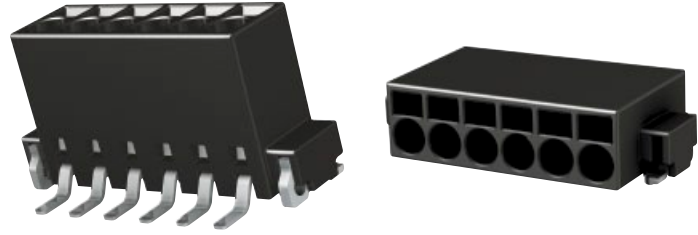
Material data

Group of insulation material III a  
Type of insulation material LCP  
Flammability rating per UL 94 V0  
Operating temperature -40 °C ... +125 °C  
Contact material Copper alloy  
Contact plating Nickel plated

Conductor data

Connection technology wire IDC termination  
Conductor size solid / stranded – / 0.05 - 0.14 mm<sup>2</sup>  
Conductor size AWG 28 - 26  
Stripping length 0 mm  
Conductor diameter max. 1 mm

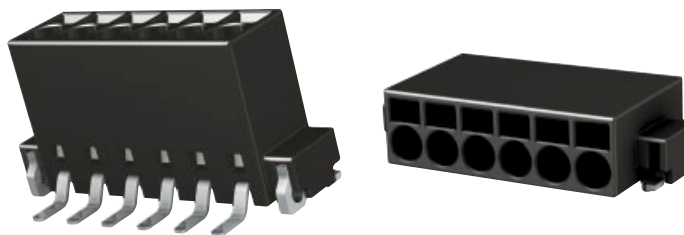
PCB terminal blocks,  
vertical/horizontal  
with push-in-spring-cage termination  
for SMT reflow soldering  
pitch 2.54 mm



Identification	No. of contacts	Part No.	Packaging unit (pieces)
PCB terminal blocks, vertical/horizontal with push-in-spring-cage termination			vertical / horizontal
	2	14 01 021 310 . . . .	250 / 500
	3	14 01 031 310 . . . .	250 / 500
	4	14 01 041 310 . . . .	250 / 500
	5	14 01 051 310 . . . .	250 / 500
	6	14 01 061 310 . . . .	250 / 500
	7	14 01 071 310 . . . .	250 / 500
	8	14 01 081 310 . . . .	250 / 500
	9	14 01 091 310 . . . .	250 / 500
	10	14 01 101 310 . . . .	250 / 500
	11	14 01 111 310 . . . .	250 / 500
	12	14 01 121 310 . . . .	250 / 500
	Please insert digit for		
vertical ▶	1		
horizontal ▶	2		

har-flexicon

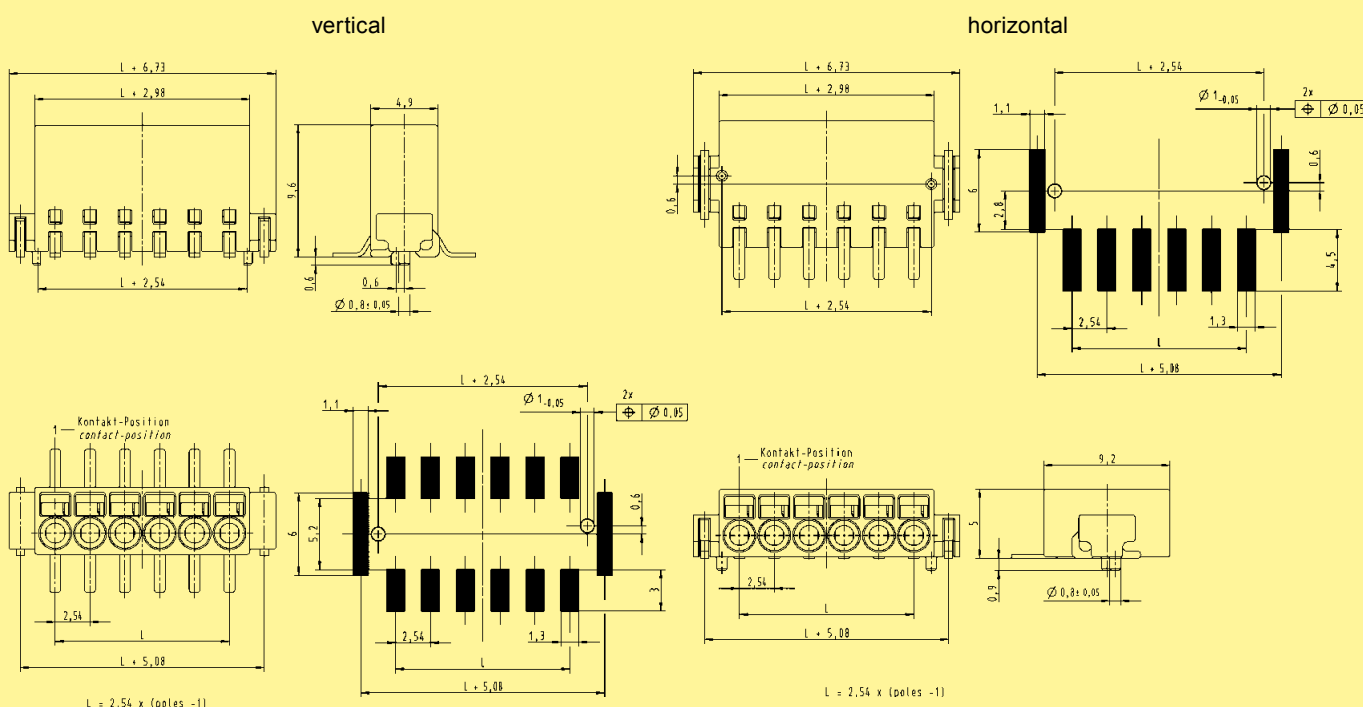
PCB terminal blocks,  
vertical/horizontal  
with push-in-spring-cage termination  
for SMT reflow soldering  
pitch 2.54 mm



Drawing

Dimensions in mm

Dimensions



Technical characteristics

Technical data

Rated current 6 A  
Pitch 2.54 mm

Surge voltage category /  
pollution degree

III/3	III/2	II/2
32 V	160 V	160 V
2.5 kV	2.5 kV	2.5 kV

Rated voltage	32 V	160 V	160 V
Rated surge voltage	2.5 kV	2.5 kV	2.5 kV

Material data

Group of insulation material III a  
Type of insulation material LCP  
Flammability rating per UL 94 V0  
Operating temperature -40 °C ... +125 °C  
Contact material copper alloy  
Contact plating tin plated

Conductor data

Connection technology wire push-in-spring-cage termination  
Conductor size solid / stranded 0.14 - 0.5 / 0.2 - 0.5 mm<sup>2</sup>  
Conductor size AWG 24 - 20  
Stripping length 6 mm

PCB connectors female,  
vertical  
with push-in-spring-cage termination  
pitch 2.54 mm



Identification	No. of contacts	Part No.	Packaging unit (pieces)
PCB connectors female, vertical with push-in-spring-cage termination	2	14 31 021 3101 ...	200
	3	14 31 031 3101 ...	200
	4	14 31 041 3101 ...	200
	5	14 31 051 3101 ...	150
	6	14 31 061 3101 ...	150
	7	14 31 071 3101 ...	150
	8	14 31 081 3101 ...	100
	9	14 31 091 3101 ...	100
	10	14 31 101 3101 ...	100
	11	14 31 111 3101 ...	50
	12	14 31 121 3101 ...	50

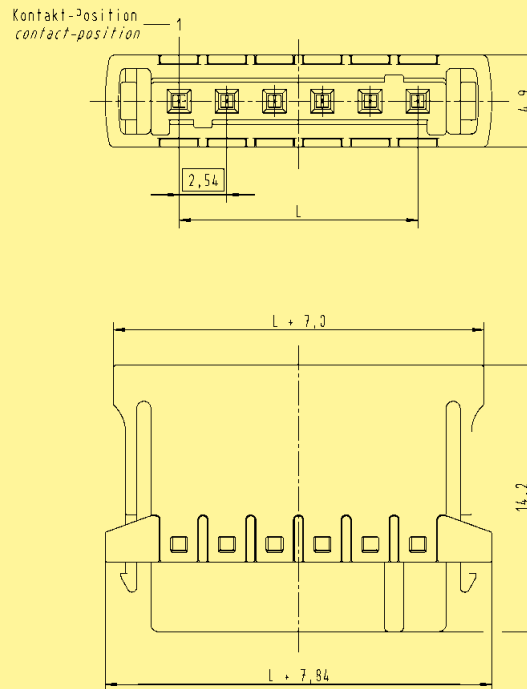
PCB connectors female,  
vertical  
with push-in-spring-cage termination  
pitch 2.54 mm



Drawing

Dimensions in mm

Dimensions



L = pitch x (poles - 1)

Technical characteristics

Technical data

Rated current 6 A  
Pitch 2.54 mm

Surge voltage category /  
pollution degree

III/3	III/2	II/2
32 V	160 V	160 V
2.5 kV	2.5 kV	2.5 kV

Rated voltage

Rated surge voltage

Material data

Group of insulation material III a  
Type of insulation material LCP  
Flammability rating per UL 94 V0  
Operating temperature -40 °C ... +125 °C  
Contact material copper alloy  
Contact plating tin plated

Conductor data

Connection technology wire push-in-spring-cage  
termination  
Conductor size solid / stranded 0.14 - 0.5 / 0.2 - 0.5 mm<sup>2</sup>  
Conductor size AWG 24 - 20  
Stripping length 6 mm



PCB connectors male,  
vertical/horizontal  
for SMT reflow soldering  
pitch 2.54 mm

Identification	No. of contacts	Part No.	Packaging unit (pieces)
PCB connectors male, vertical/horizontal			vertical / horizontal
	2	14 11 021 300 . . . .	500 / 600
	3	14 11 031 300 . . . .	500 / 600
	4	14 11 041 300 . . . .	500 / 600
	5	14 11 051 300 . . . .	500 / 600
	6	14 11 061 300 . . . .	500 / 600
	7	14 11 071 300 . . . .	500 / 600
	8	14 11 081 300 . . . .	500 / 600
	9	14 11 091 300 . . . .	500 / 600
	10	14 11 101 300 . . . .	500 / 600
	11	14 11 111 300 . . . .	500 / 600
	12	14 11 121 300 . . . .	500 / 600

Please insert digit for

- vertical ► 1
- horizontal ► 2

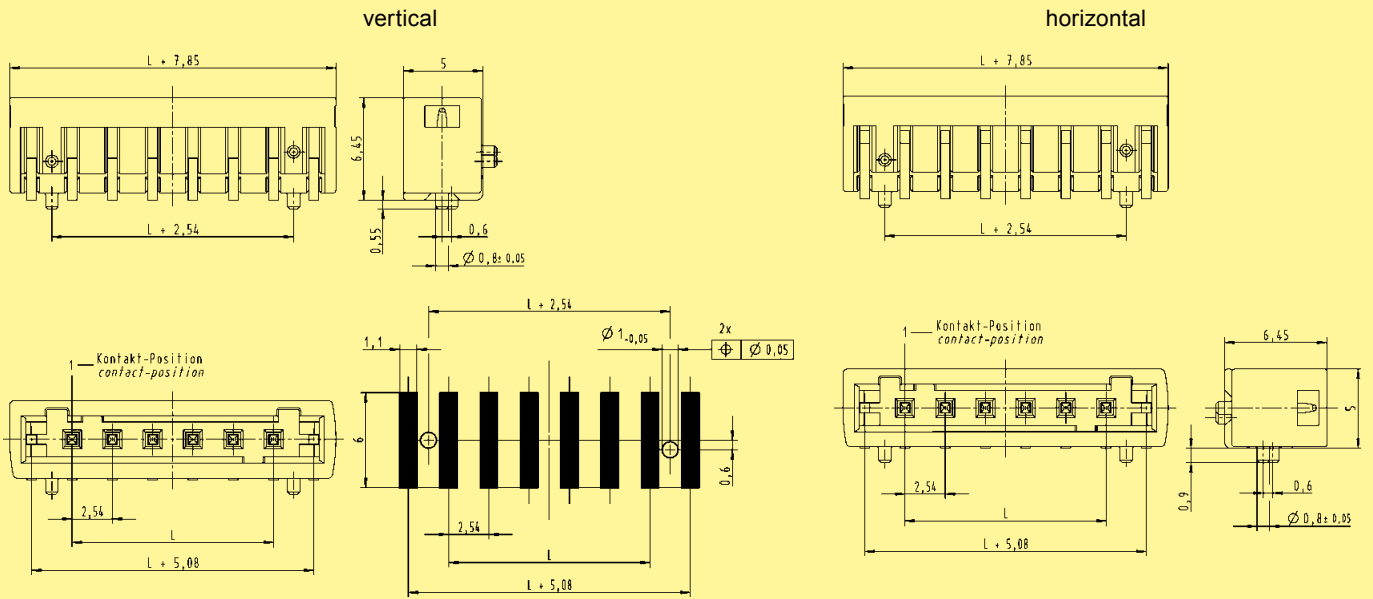
PCB connectors male,  
vertical/horizontal  
for SMT reflow soldering  
pitch 2.54 mm



Drawing

Dimensions in mm

Dimensions



L = pitch x (poles - 1)

Technical characteristics

Technical data

Rated current 6 A  
Pitch 2.54 mm

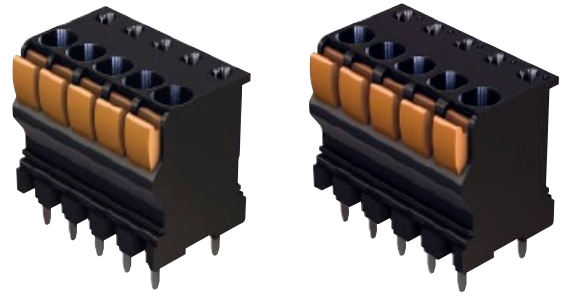
Surge voltage category /  
pollution degree

Rated voltage  
Rated surge voltage

III/3	III/2	II/2
32 V	160 V	160 V
2.5 kV	2.5 kV	2.5 kV

Material data

Group of insulation material III a  
Type of insulation material LCP  
Flammability rating per UL 94 V0  
Operating temperature -40 °C ... +125 °C  
Contact material copper alloy  
Contact plating tin plated



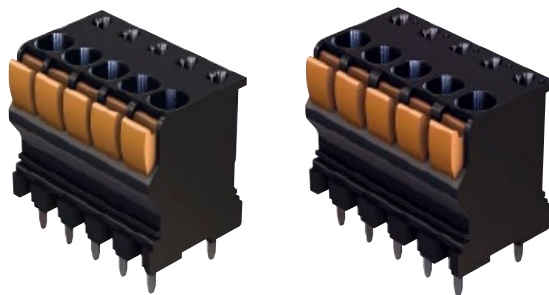
PCB terminal blocks,  
vertical with push-in-spring-cage termination  
for reflow soldering  
pitch 3.50 / 3.81 mm

Identification	No. of contacts	Part No.	Packaging unit (pieces)
PCB terminal blocks, vertical with push-in-spring-cage termination			
	2	14 02 021 . 101 . . .	100
	3	14 02 031 . 101 . . .	100
	4	14 02 041 . 101 . . .	75
	5	14 02 051 . 101 . . .	75
	6	14 02 061 . 101 . . .	50
	7	14 02 071 . 101 . . .	50
	8	14 02 081 . 101 . . .	50
	9	14 02 091 . 101 . . .	50
	10	14 02 101 . 101 . . .	50
	11	14 02 111 . 101 . . .	50
	12	14 02 121 . 101 . . .	50
	13	14 02 131 . 101 . . .	50
	14	14 02 141 . 101 . . .	50
	15	14 02 151 . 101 . . .	50
	16	14 02 161 . 101 . . .	50

Please insert digit for

- pitch 3.50 mm ▶ 4
- pitch 3.81 mm ▶ 5

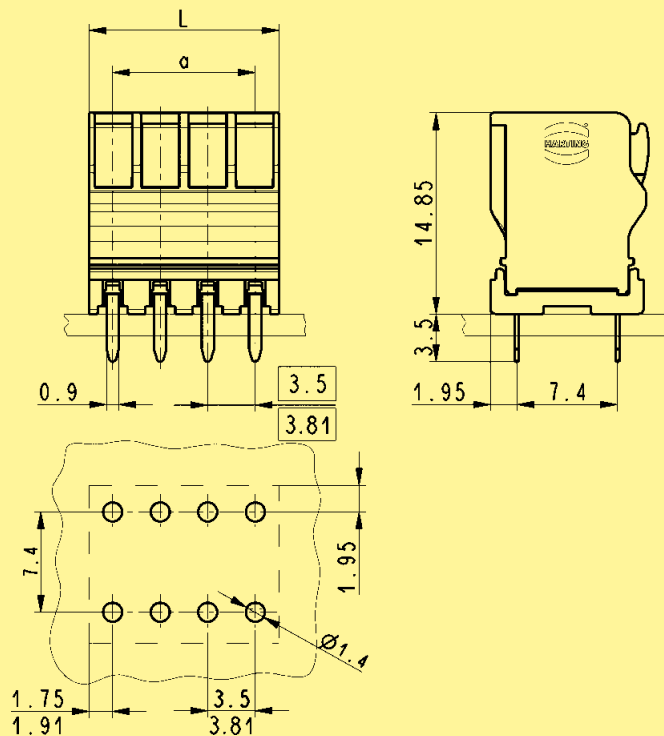
PCB terminal blocks,  
vertical with push-in-spring-cage  
termination for reflow soldering  
pitch 3.50 / 3.81 mm



Drawing

Dimensions in mm

Dimensions



L = pitch x poles  
a = pitch x (poles - 1)

Technical characteristics

Technical data

Rated current 10 A  
Pitch 3.50 mm / 3.81 mm

Surge voltage category /  
pollution degree

Rated voltage  
Rated surge voltage

III/3	III/2	II/2
220 V	300 V	600 V
4 kV	4 kV	4 kV

Material data

Group of insulation material I  
Type of insulation material PA / PPA  
Flammability rating per UL 94 V0  
Operating temperature -40 °C ... +110 °C  
Contact material copper alloy  
Contact plating tin plated

Conductor and solder pin data

Connection technology wire push-in-spring-cage  
termination  
Conductor size solid / stranded 0.14 - 1.5 / 0.14 - 1.5 mm<sup>2</sup>  
Conductor size AWG 30 - 16  
Stripping length 9 - 10 mm  
Solder pin: drilled hole diameter 1.4 mm



PCB terminal blocks,  
horizontal with screw termination  
for reflow soldering  
pitch 3.50 / 3.81 mm

Identification	No. of contacts	Part No.	Packaging unit (pieces)
PCB terminal blocks, horizontal with screw termination			
	2	14 02 021 . 402 . . . .	100
	3	14 02 031 . 402 . . . .	100
	4	14 02 041 . 402 . . . .	75
	5	14 02 051 . 402 . . . .	75
	6	14 02 061 . 402 . . . .	50
	7	14 02 071 . 402 . . . .	50
	8	14 02 081 . 402 . . . .	50
	9	14 02 091 . 402 . . . .	50
	10	14 02 101 . 402 . . . .	50
	11	14 02 111 . 402 . . . .	50
	12	14 02 121 . 402 . . . .	50

Please insert digit for

- pitch 3.50 mm ▶ 4
- pitch 3.81 mm ▶ 5

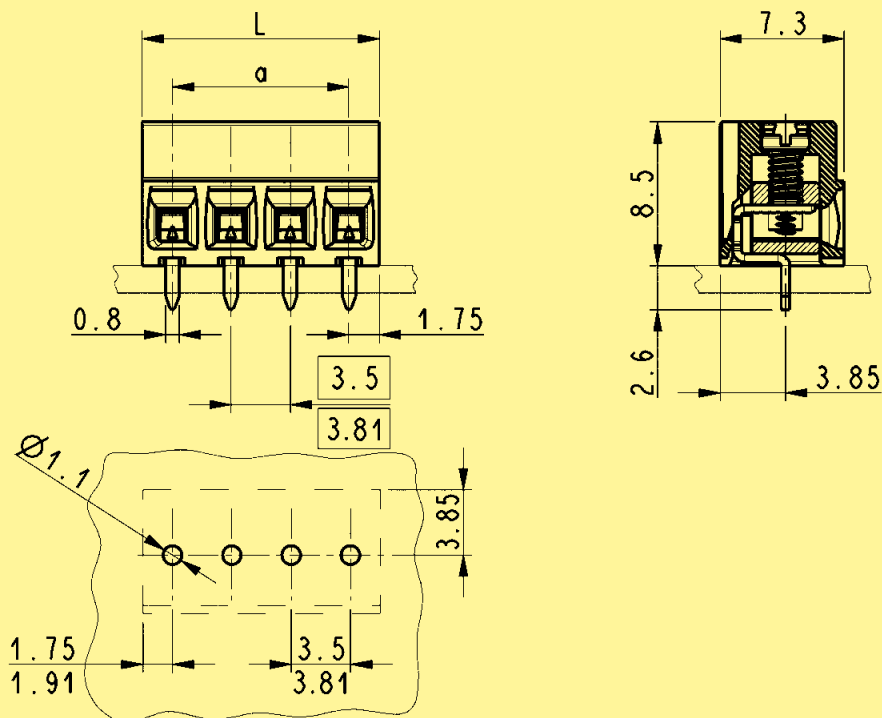
PCB terminal blocks,  
horizontal with screw termination  
for reflow soldering  
pitch 3.50 / 3.81 mm



Drawing

Dimensions in mm

Dimensions



L = pitch x poles  
a = pitch x (poles - 1)

Technical characteristics

Technical data

Rated current 12 A  
Pitch 3.50 mm / 3.81 mm

Surge voltage category /  
pollution degree

III/3	III/2	II/2
150 V	150 V	300 V
2.5 kV	2.5 kV	2.5 kV

Rated voltage

Rated surge voltage

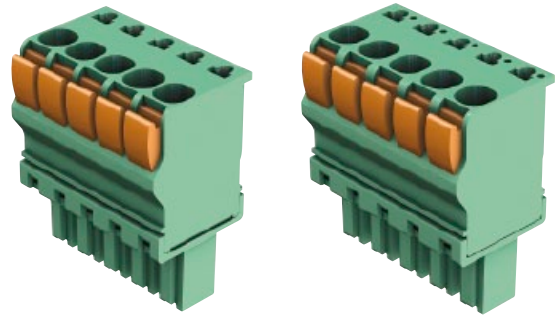
Material data

Group of insulation material I  
Type of insulation material PA / PPA  
Flammability rating per UL 94 V0  
Operating temperature -40 °C ... +110 °C  
Contact material copper alloy  
Contact plating tin plated

Conductor and solder pin data

Connection technology wire screw termination  
Conductor size solid / stranded 0.05 - 1.5 / 0.05 - 1 mm<sup>2</sup>  
Conductor size AWG 28 - 16  
Screw thread M2  
Tightening torque 0.2 - 0,25 Nm  
Stripping length 5 - 6 mm  
Solder pin: drilled hole diameter 1.1 mm

PCB connectors female,  
horizontal  
with push-in-spring-cage termination  
pitch 3.50 / 3.81 mm



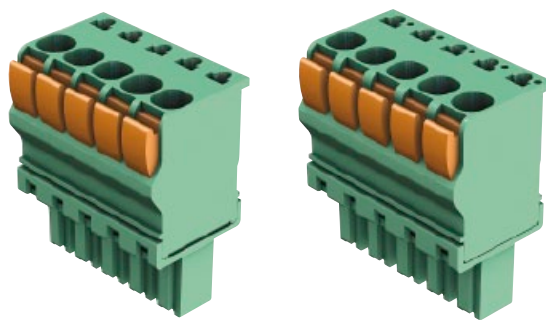
Identification	No. of contacts	Part No.	Packaging unit (pieces)
PCB connectors female, horizontal with push-in-spring-cage termination	2	14 31 021 . 102 ...	300
	3	14 31 031 . 102 ...	200
	4	14 31 041 . 102 ...	150
	5	14 31 051 . 102 ...	150
	6	14 31 061 . 102 ...	100
	7	14 31 071 . 102 ...	100
	8	14 31 081 . 102 ...	100
	9	14 31 091 . 102 ...	100
	10	14 31 101 . 102 ...	100
	11	14 31 111 . 102 ...	100
	12	14 31 121 . 102 ...	100
	13	14 31 131 . 102 ...	50
	14	14 31 141 . 102 ...	50
	15	14 31 151 . 102 ...	50
	16	14 31 161 . 102 ...	50
	17	14 31 171 . 102 ...	50
	18	14 31 181 . 102 ...	50
	19	14 31 191 . 102 ...	50
	20	14 31 201 . 102 ...	50
	21*	14 31 211 . 102 ...	25
	22*	14 31 221 . 102 ...	25
	23*	14 31 231 . 102 ...	25
	24*	14 31 241 . 102 ...	25
	25*	14 31 251 . 102 ...	25

Please insert digit for

- pitch 3.50 mm ► 4
- pitch 3.81 mm ► 5

\* Pitch 3.50 mm only available with 2-20 contacts

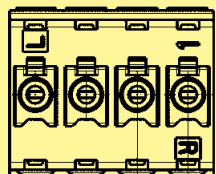
PCB connectors female,  
horizontal  
with push-in-spring-cage termination  
pitch 3.50 / 3.81 mm



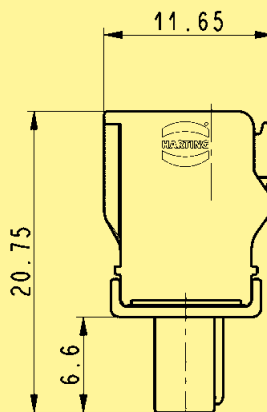
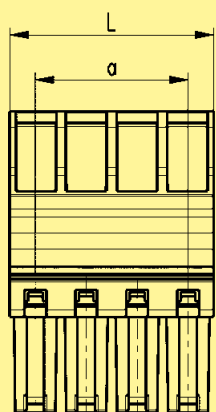
Drawing

Dimensions in mm

Dimensions



3.5  
3.81



L = pitch x poles  
a = pitch x (poles - 1)

Technical characteristics

Technical data

Rated current 11 A  
Pitch 3.50 mm / 3.81 mm

Surge voltage category /  
pollution degree

III/3	III/2	II/2
150 V	150 V	300 V
2.5 kV	2.5 kV	2.5 kV

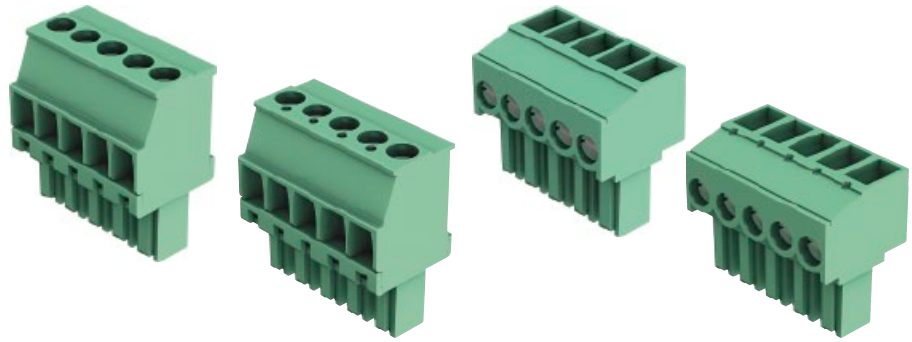
Rated voltage  
Rated surge voltage

Material data

Group of insulation material I  
Type of insulation material PA / PPA  
Flammability rating per UL 94 V0  
Operating temperature -40 °C ... +110 °C  
Contact material copper alloy  
Contact plating tin plated

Conductor data

Connection technology wire push-in-spring-cage termination  
Conductor size solid / stranded 0.14 - 1.5 / 0.14 - 1.5 mm<sup>2</sup>  
Conductor size AWG 30 - 14  
Stripping length 9 - 10 mm



PCB connectors female, vertical/horizontal with screw termination pitch 3.50 / 3.81 mm

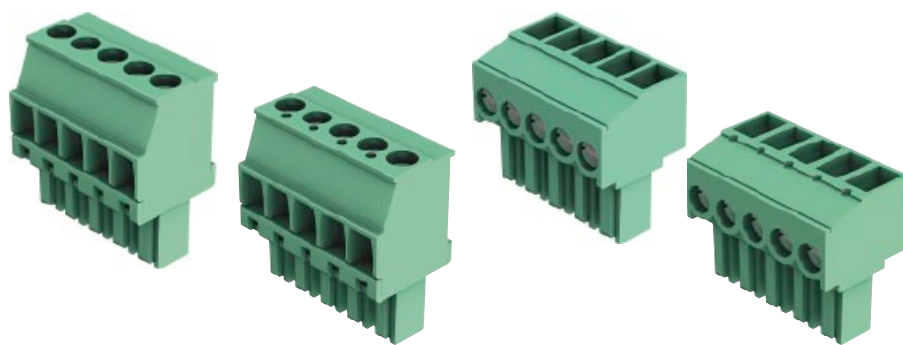
Identification	No. of contacts	Part No.	Packaging unit (pieces)
PCB connectors female, vertical/horizontal with screw termination			
	2	14 31 021 . 40 . . . .	300
	3	14 31 031 . 40 . . . .	200
	4	14 31 041 . 40 . . . .	150
	5	14 31 051 . 40 . . . .	150
	6	14 31 061 . 40 . . . .	100
	7	14 31 071 . 40 . . . .	100
	8	14 31 081 . 40 . . . .	100
	9	14 31 091 . 40 . . . .	100
	10	14 31 101 . 40 . . . .	100
	11	14 31 111 . 40 . . . .	100
	12	14 31 121 . 40 . . . .	100
	13	14 31 131 . 40 . . . .	50
	14	14 31 141 . 40 . . . .	50
	15	14 31 151 . 40 . . . .	50
	16	14 31 161 . 40 . . . .	50
	17*	14 31 171 . 40 . . . .	50
	18*	14 31 181 . 40 . . . .	50
	19*	14 31 191 . 40 . . . .	50
	20*	14 31 201 . 40 . . . .	50
	21*	14 31 211 . 40 . . . .	25
	22*	14 31 221 . 40 . . . .	25
	23*	14 31 231 . 40 . . . .	25
	24*	14 31 241 . 40 . . . .	25
	25*	14 31 251 . 40 . . . .	25

Please insert digit for

pitch 3.50 mm ▶ 4  
pitch 3.81 mm ▶ 5

vertical ▶ 1  
horizontal ▶ 2

\* Pitch 3.81 mm (vertical) only available with 2-16 contacts

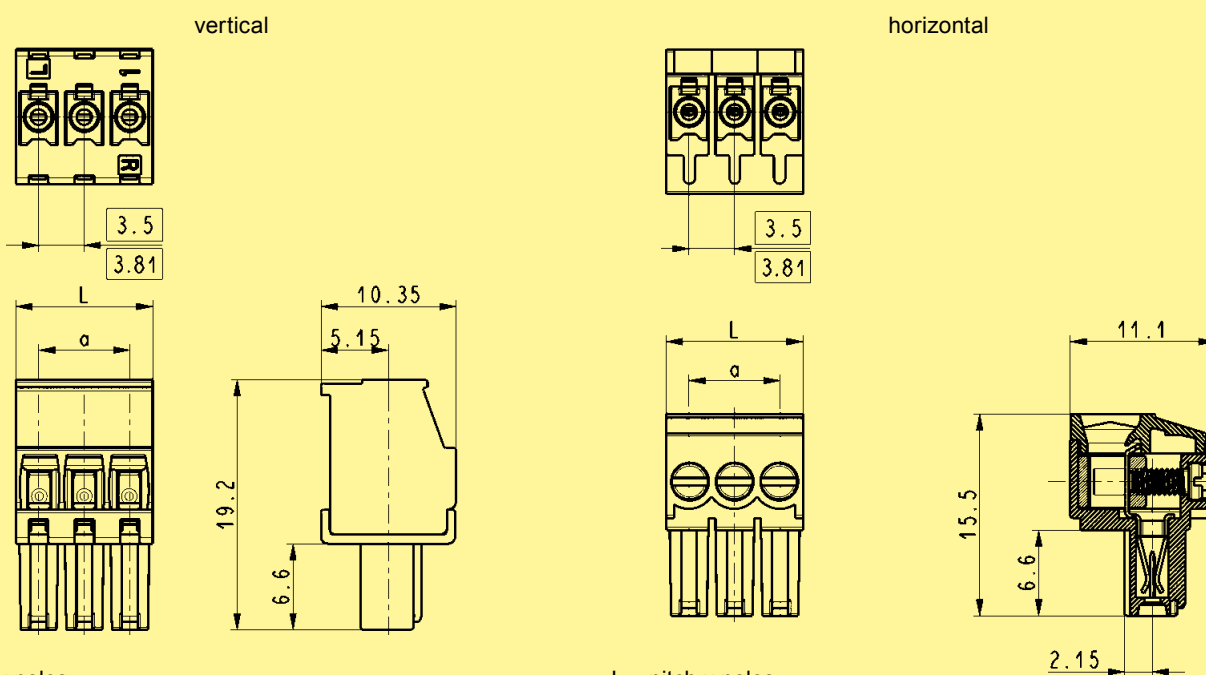


PCB connectors female,  
vertical/horizontal  
with screw termination  
pitch 3.50 / 3.81 mm

Drawing

Dimensions in mm

Dimensions



L = pitch x poles  
a = pitch x (poles - 1)

L = pitch x poles  
a = pitch x (poles - 1)

Technical characteristics

Technical data

Rated current 10 A  
Pitch 3.50 mm / 3.81 mm

Surge voltage category /  
pollution degree  
Rated voltage  
Rated surge voltage

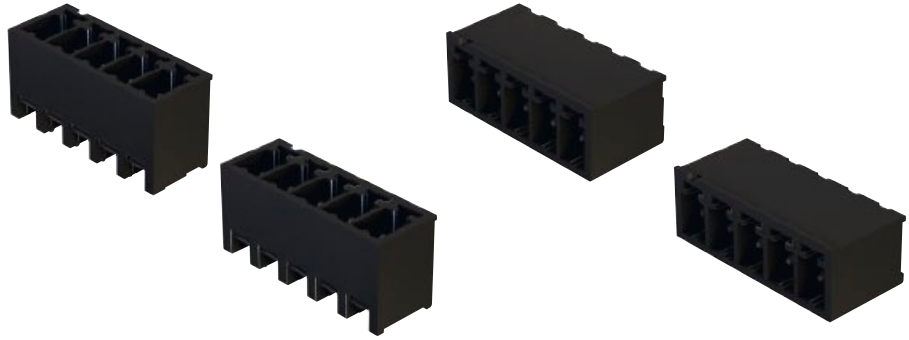
	III/3	III/2	II/2
Rated voltage	150 V	150 V	300 V
Rated surge voltage	2.5 kV	2.5 kV	2.5 kV

Material data

Group of insulation material I  
Type of insulation material PA / PPA  
Flammability rating per UL 94 V0  
Operating temperature -40 °C ... +110 °C  
Contact material copper alloy  
Contact plating tin plated

Conductor data

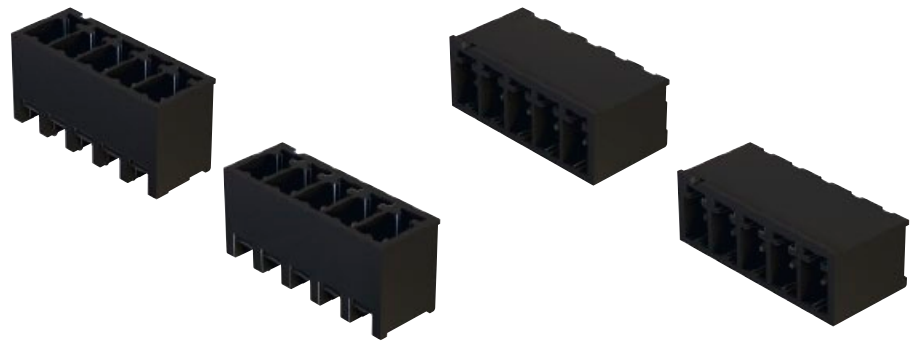
Connection technology wire screw termination  
Conductor size solid / stranded 0.05 - 1.5 / 0.05 - 1.5 mm<sup>2</sup>  
Conductor size AWG 30 - 14  
Screw thread M2  
Tightening torque 0.2 - 0.25 Nm  
Stripping length 5.0 - 6.0 mm



PCB connectors male,  
vertical/horizontal  
for reflow soldering  
pitch 3.50 / 3.81 mm

Identification	No. of contacts	Part No.	Packaging unit (pieces)
Connectors, male, vertical/horizontal			
	2	14 12 021 . 00 . . . .	100
	3	14 12 031 . 00 . . . .	100
	4	14 12 041 . 00 . . . .	75
	5	14 12 051 . 00 . . . .	75
	6	14 12 061 . 00 . . . .	50
	7	14 12 071 . 00 . . . .	50
	8	14 12 081 . 00 . . . .	50
	9	14 12 091 . 00 . . . .	50
	10	14 12 101 . 00 . . . .	50
	11	14 12 111 . 00 . . . .	50
	12	14 12 121 . 00 . . . .	50
	13	14 12 131 . 00 . . . .	50
	14	14 12 141 . 00 . . . .	50
	15	14 12 151 . 00 . . . .	50
	16	14 12 161 . 00 . . . .	50
	17	14 12 171 . 00 . . . .	50
	18	14 12 181 . 00 . . . .	50
	19	14 12 191 . 00 . . . .	50
	20	14 12 201 . 00 . . . .	50
	21	14 12 211 . 00 . . . .	25
	22	14 12 221 . 00 . . . .	25
	23	14 12 231 . 00 . . . .	25
	24	14 12 241 . 00 . . . .	25
	25	14 12 251 . 00 . . . .	25
Please insert digit for			
pitch 3.50 mm ▶	4		
pitch 3.81 mm ▶	5		
vertical ▶	1		
horizontal ▶	2		

har-flexicon

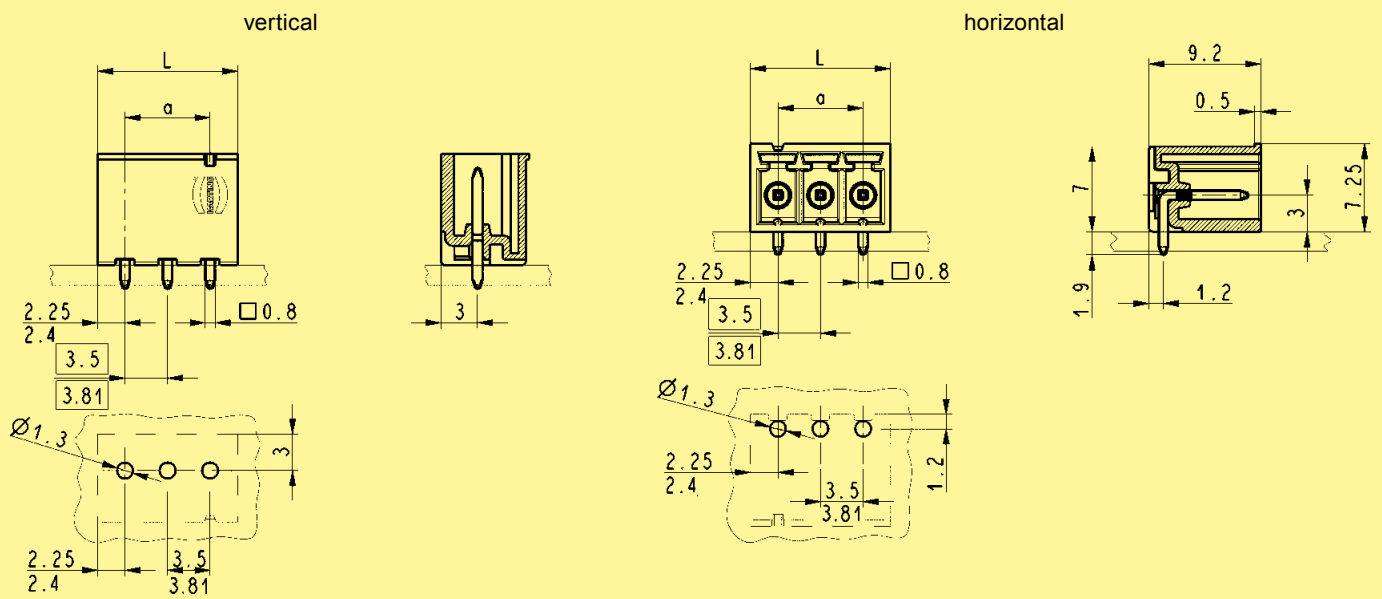


PCB connectors male, vertical/horizontal for reflow soldering pitch 3.50 / 3.81 mm

Drawing

Dimensions in mm

Dimensions



$L = (\text{pitch} \times \text{poles}) + 1$   
 $a = \text{pitch} \times (\text{poles} - 1)$

$L = (\text{pitch} \times \text{poles}) + 1$   
 $a = \text{pitch} \times (\text{poles} - 1)$

Technical characteristics

Technical data

Rated current 11 A  
 Pitch 3.50 mm / 3.81 mm

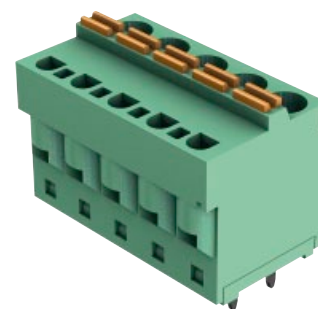
Surge voltage category / pollution degree	III/3	III/2	II/2
Rated voltage	150 V	150 V	300 V
Rated surge voltage	2.5 kV	2.5 kV	2.5 kV

Material data

Group of insulation material I  
 Type of insulation material PA / PPA  
 Flammability rating per UL 94 V0  
 Operating temperature -40 °C ... +110 °C  
 Contact material copper alloy  
 Contact plating tin plated

Solder pin data

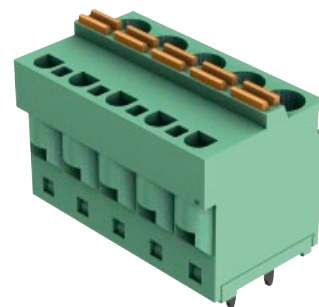
Solder pin: drilled hole diameter 1.2 mm



PCB terminal blocks,  
vertical with push-in-spring-cage termination  
for wave soldering  
pitch 5.00 mm

Identification	No. of contacts	Part No.	Packaging unit (pieces)
PCB terminal blocks, vertical with push-in-spring-cage termination	2	14 03 021 6101 ...	300
	3	14 03 031 6101 ...	200
	4	14 03 041 6101 ...	150
	5	14 03 051 6101 ...	150
	6	14 03 061 6101 ...	100
	7	14 03 071 6101 ...	100
	8	14 03 081 6101 ...	100
	9	14 03 091 6101 ...	100
	10	14 03 101 6101 ...	100
	11	14 03 111 6101 ...	100
	12	14 03 121 6101 ...	100
	13	14 03 131 6101 ...	50
	14	14 03 141 6101 ...	50
	15	14 03 151 6101 ...	50
	16	14 03 161 6101 ...	50
	17	14 03 171 6101 ...	50
	18	14 03 181 6101 ...	50

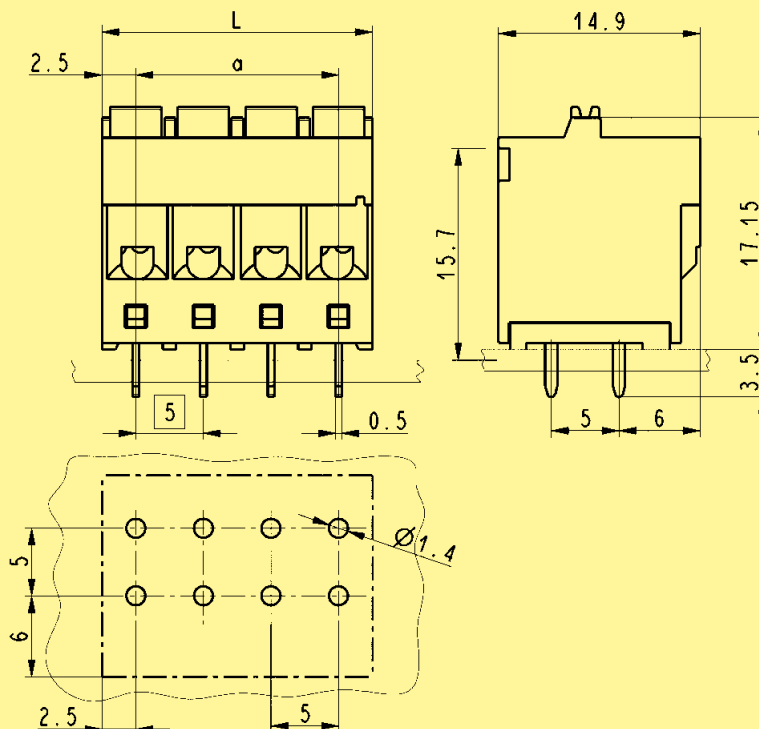
PCB terminal blocks,  
vertical with push-in-spring-cage  
termination for wave soldering  
pitch 5.00 mm



Drawing

Dimensions in mm

Dimensions



L = pitch x poles  
a = pitch x (poles - 1)

Technical characteristics

Technical data

Rated current 12 A  
Pitch 5.00 mm

Surge voltage category /  
pollution degree

Rated voltage  
Rated surge voltage

III/3	III/2	II/2
300 V	300 V	600 V
4 kV	4 kV	4 kV

Material data

Group of insulation material I  
Type of insulation material PA  
Flammability rating per UL 94 V0  
Operating temperature -40 °C ... +110 °C  
Contact material copper alloy  
Contact plating tin plated

Conductor and solder pin data

Connection technology wire push-in-spring-cage  
termination  
Conductor size solid / stranded 0.2 - 2.5 / 0.2 - 2.5 mm<sup>2</sup>  
Conductor size AWG 30 - 12  
Stripping length 10 mm  
Solder pin: drilled hole diameter 1.4 mm

PCB terminal blocks,  
horizontal with screw termination  
for reflow soldering  
pitch 5.00 mm



Identification	No. of contacts	Part No.	Packaging unit (pieces)
PCB terminal blocks, horizontal with screw termination			
for wire gauge 2.5 mm <sup>2</sup>	2	14 02 021 6404 ...	100
	3	14 02 031 6404 ...	100
	4	14 02 041 6404 ...	75
	5	14 02 051 6404 ...	75
	6	14 02 061 6404 ...	50
	7	14 02 071 6404 ...	50
	8	14 02 081 6404 ...	50

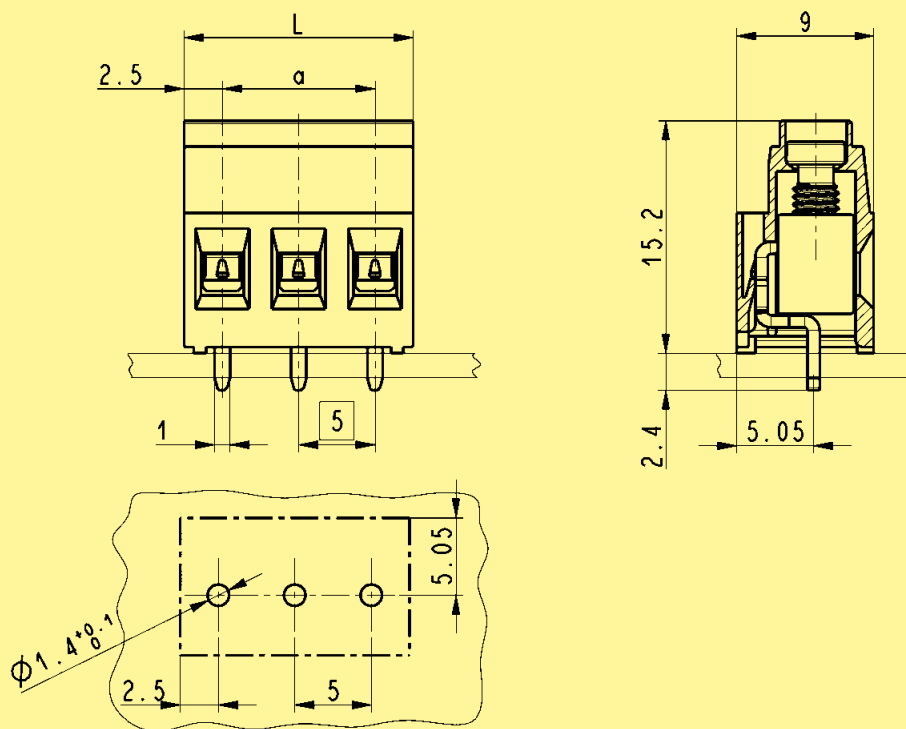
PCB terminal blocks,  
horizontal with screw termination  
for reflow soldering  
pitch 5.00 mm



Drawing

Dimensions in mm

Dimensions



L = pitch x poles  
a = pitch x (poles - 1)

Technical characteristics

Technical data

Rated current 17.5 A  
Pitch 5.00 mm

Surge voltage category /  
pollution degree  
Rated voltage  
Rated surge voltage

III/3	III/2	II/2
300 V	300 V	600 V
4 kV	4 kV	4 kV

Material data

Group of insulation material I  
Type of insulation material PA / PPA  
Flammability rating per UL 94 V0  
Operating temperature -40 °C ... +110 °C  
Contact material copper alloy  
Contact plating tin plated

Conductor and solder pin data

Connection technology wire screw termination  
Conductor size solid / stranded 0.05 - 2.5 / 0.05 - 2.5 mm<sup>2</sup>  
Conductor size AWG 30 - 12  
Screw thread M3  
Tightening torque 0.5 - 0.6 Nm  
Stripping length 5.5 - 6.5 mm  
Solder pin: drilled hole diameter 1.4 mm

PCB terminal blocks,  
horizontal with screw termination  
for reflow soldering  
pitch 5.00 mm



Identification	No. of contacts	Part No.	Packaging unit (pieces)
PCB terminal blocks, horizontal with screw termination			
for wire gauge 1.5 mm <sup>2</sup>	2	14 02 021 6402 ...	100
	3	14 03 031 6402 ...	100
	4	14 03 041 6402 ...	75
	5	14 03 051 6402 ...	75
	6	14 03 061 6402 ...	50
	7	14 03 071 6402 ...	50
	8	14 03 081 6402 ...	50
	9	14 03 091 6402 ...	50
	10	14 03 101 6402 ...	50
	11	14 03 111 6402 ...	50
	12	14 03 121 6402 ...	50

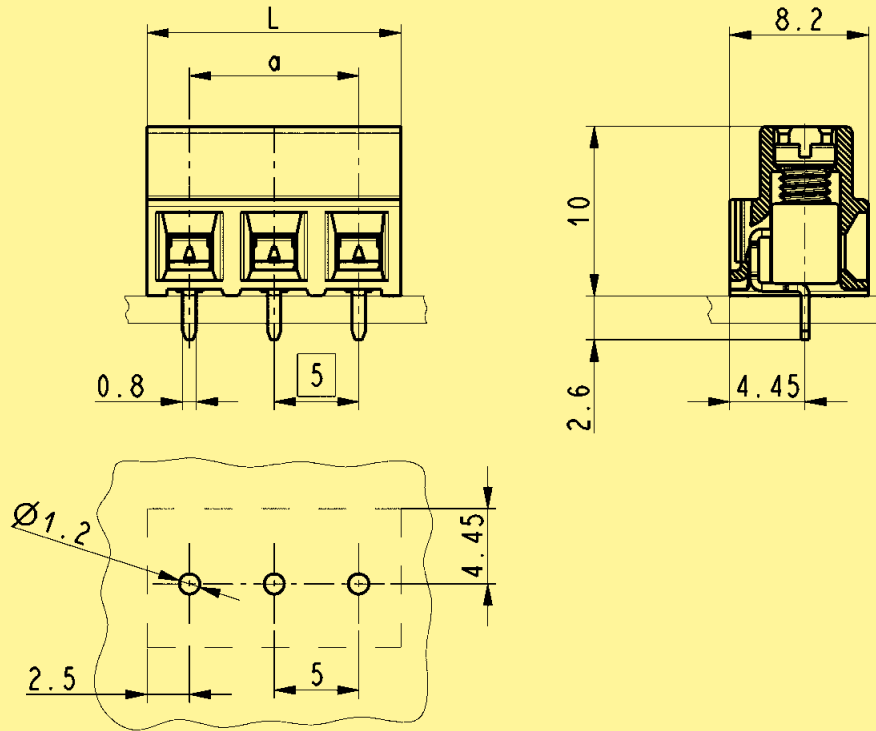
PCB terminal blocks,  
horizontal with screw termination  
for reflow soldering  
pitch 5.00 mm



Drawing

Dimensions in mm

Dimensions



L = pitch x poles  
a = pitch x (poles - 1)

## Technical characteristics

### Technical data

Rated current 13.5 A  
Pitch 5.00 mm

Surge voltage category /  
pollution degree  
Rated voltage  
Rated surge voltage

III/3	III/2	II/2
220 V	300 V	600 V
4 kV	4 kV	4 kV

### Material data

Group of insulation material I  
Type of insulation material PA / PPA  
Flammability rating per UL 94 V0  
Operating temperature -40 °C ... +110 °C  
Contact material copper alloy  
Contact plating tin plated

### Conductor and solder pin data

Connection technology wire screw termination  
Conductor size solid / stranded 0.05 - 1.5 / 0.05 - 1.5 mm<sup>2</sup>  
Conductor size AWG 30 - 16  
Screw thread M3  
Tightening torque 0.5 - 0.6 Nm  
Stripping length 5.0 - 6.0 mm  
Solder pin: drilled hole diameter 1.1 mm



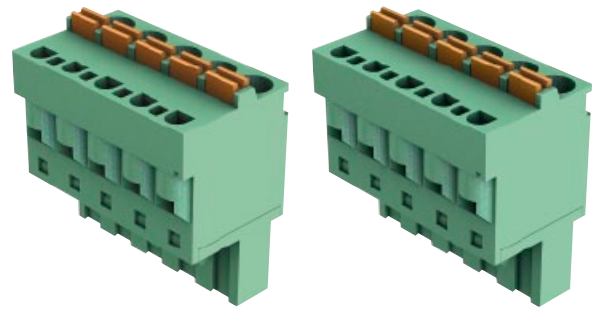
PCB connectors female,  
horizontal  
with push-in-spring-cage termination  
pitch 5.00 / 5.08 mm

Identification	No. of contacts	Part No.	Packaging unit (pieces)
PCB connectors female, horizontal with push-in-spring-cage termination	2	14 31 021 . 102 ...	300
	3	14 31 031 . 102 ...	200
	4	14 31 041 . 102 ...	150
	5	14 31 051 . 102 ...	150
	6	14 31 061 . 102 ...	100
	7	14 31 071 . 102 ...	100
	8	14 31 081 . 102 ...	100
	9	14 31 091 . 102 ...	100
	10	14 31 101 . 102 ...	100
	11	14 31 111 . 102 ...	100
	12	14 31 121 . 102 ...	100
	13	14 31 131 . 102 ...	50
	14	14 31 141 . 102 ...	50
	15	14 31 151 . 102 ...	50
	16	14 31 161 . 102 ...	50
	17	14 31 171 . 102 ...	50
	18	14 31 181 . 102 ...	50

Please insert digit for

- pitch 5.00 mm ▶ 6
- pitch 5.08 mm ▶ 7

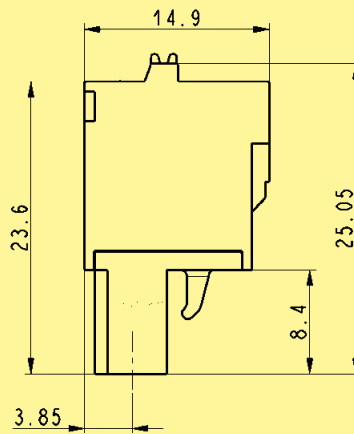
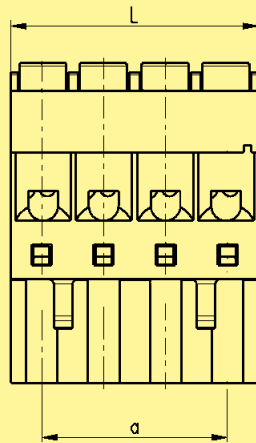
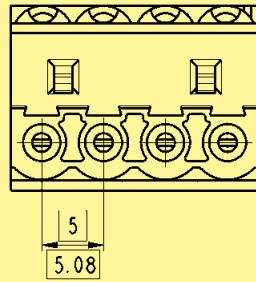
PCB connectors female,  
horizontal  
with push-in-spring-cage termination  
pitch 5.00 / 5.08 mm



Drawing

Dimensions in mm

Dimensions



L = pitch x poles  
a = pitch x (poles - 1)

Technical characteristics

Technical data

Rated current 12 A  
Pitch 5.00 mm / 5.08 mm

Surge voltage category /  
pollution degree

Rated voltage  
Rated surge voltage

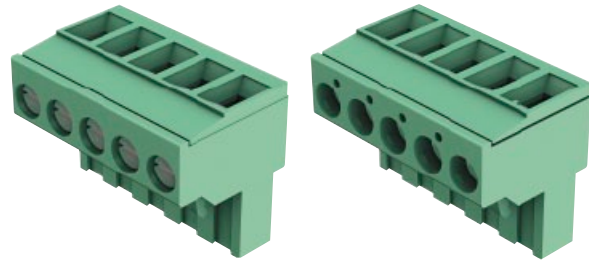
	III/3	III/2	II/2
Rated voltage	250 V	300 V	600 V
Rated surge voltage	4 kV	4 kV	4 kV

Material data

Group of insulation material I  
Type of insulation material PA / PPA  
Flammability rating per UL 94 V0  
Operating temperature -40 °C ... +110 °C  
Contact material copper alloy  
Contact plating tin plated

Conductor data

Connection technology wire push-in-spring-cage termination  
Conductor size solid / stranded 0.2 - 2.5 / 0.2 - 2.5 mm<sup>2</sup>  
Conductor size AWG 30 - 12  
Stripping length 10 mm



PCB connectors female,  
horizontal  
with screw termination  
pitch 5.00 / 5.08 mm

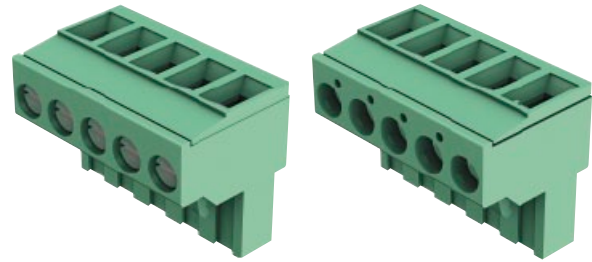
Identification	No. of contacts	Part No.	Packaging unit (pieces)
PCB connectors female, horizontal with screw termination	2	14 31 021 . 402 ...	300
	3	14 31 031 . 402 ...	200
	4	14 31 041 . 402 ...	150
	5	14 31 051 . 402 ...	150
	6	14 31 061 . 402 ...	100
	7	14 31 071 . 402 ...	100
	8	14 31 081 . 402 ...	100
	9	14 31 091 . 402 ...	100
	10	14 31 101 . 402 ...	100
	11	14 31 111 . 402 ...	100
	12	14 31 121 . 402 ...	100
	13	14 31 131 . 402 ...	50
	14	14 31 141 . 402 ...	50
	15	14 31 151 . 402 ...	50
	16	14 31 161 . 402 ...	50
	17	14 31 171 . 402 ...	50
	18	14 31 181 . 402 ...	50
	19	14 31 191 . 402 ...	50
	20	14 31 201 . 402 ...	50
	21	14 31 211 . 402 ...	25
	22	14 31 221 . 402 ...	25
	23	14 31 231 . 402 ...	25
	24	14 31 241 . 402 ...	25
	25	14 31 251 . 402 ...	25

Please insert digit for

- pitch 5.00 mm ► 6
- pitch 5.08 mm ► 7

har-flexicon

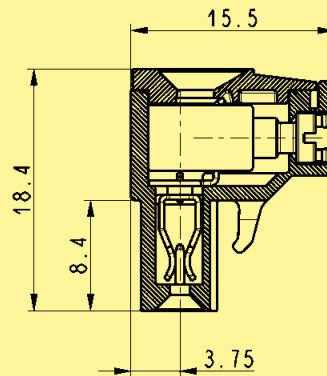
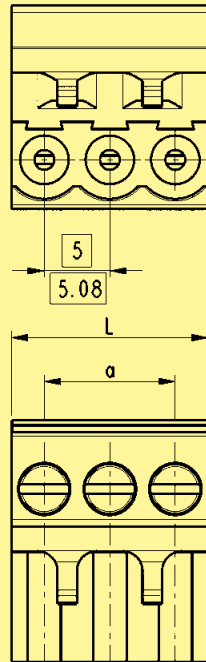
PCB connectors female,  
horizontal  
with screw termination  
pitch 5.00 / 5.08 mm



Drawing

Dimensions in mm

Dimensions



L = pitch x poles  
a = pitch x (poles - 1)

Technical characteristics

Technical data

Rated current 15 A  
Pitch 5.00 mm / 5.08 mm

Surge voltage category /  
pollution degree  
Rated voltage  
Rated surge voltage

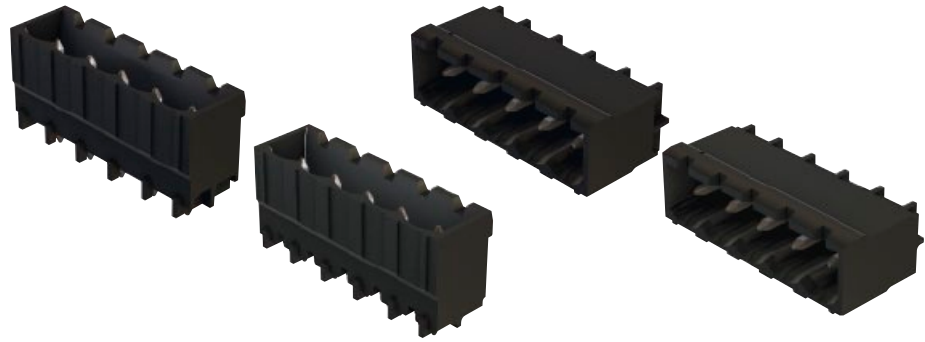
	III/3	III/2	II/2
Rated voltage	250 V	300 V	600 V
Rated surge voltage	4 kV	4 kV	4 kV

Material data

Group of insulation material I  
Type of insulation material PA / PPA  
Flammability rating per UL 94 V0  
Operating temperature -40 °C ... +110 °C  
Contact material copper alloy  
Contact plating tin plated

Conductor data

Connection technology wire screw termination  
Conductor size solid / stranded 0.05 - 2.5 / 0.05 - 2.5 mm<sup>2</sup>  
Conductor size AWG 30 - 12  
Screw thread M3  
Tightening torque 0.5 - 0.6 Nm  
Stripping length 6.0 - 7.5 mm



PCB connectors male,  
vertical/horizontal  
for reflow soldering  
pitch 5.00 / 5.08 mm

Identification	No. of contacts	Part No.	Packaging unit (pieces)
PCB connectors male, vertical/horizontal			
	2	14 12 021 . 00 . . . .	100
	3	14 12 031 . 00 . . . .	100
	4	14 12 041 . 00 . . . .	75
	5	14 12 051 . 00 . . . .	75
	6	14 12 061 . 00 . . . .	50
	7	14 12 071 . 00 . . . .	50
	8	14 12 081 . 00 . . . .	50
	9	14 12 091 . 00 . . . .	50
	10	14 12 101 . 00 . . . .	50
	11	14 12 111 . 00 . . . .	50
	12	14 12 121 . 00 . . . .	50
	13*	14 12 131 . 00 . . . .	50
	14*	14 12 141 . 00 . . . .	50
	15*	14 12 151 . 00 . . . .	50
	16*	14 12 161 . 00 . . . .	50
	17*	14 12 171 . 00 . . . .	50
	18*	14 12 181 . 00 . . . .	50
	19*	14 12 191 . 00 . . . .	50

Please insert digit for

pitch 5.00 mm ▶	6
pitch 5.08 mm ▶	7
vertical ▶	1
horizontal ▶	2

har-flexicon

\* Only available in pitch 5.00 mm (horizontal)

