

Applications



Industrial Motors



Belt Conveyor



Industrial Equipment



1 Touch Locking



Waterproof



Compact

Discover Hirose's MT50WA Series: Designed for precision motors such as stepper and servo motor systems, this waterproof connector combines power, signal, and brake connections into one compact solution, saving space and simplifying assembly.

Its lever lock mechanism prevents waterproofing failures while ensuring reliable connections in demanding environments. With an IP67 rating when mated, it delivers durable, waterproof performance and vibration resistance for stable connections. Safety-compliant with UL, CSA, and TÜV certifications, the MT50WA Series meets stringent industry standards for precision motors, industrial automation, and compact equipment.

KEY BENEFITS OF THE MT SERIES INCLUDE:

- A lever lock mechanism that simplifies operation and prevents waterproofing failures with a secure push-to-lock system.
- Combines power, signal, and brake connections into a single plug, saving valuable space and reducing assembly complexity.
- Provides vibration resistance for enhanced connection stability in demanding motor environments.
- IP67-rated when mated, ensuring waterproof performance and durability in harsh conditions.
- Safety-compliant with UL, CSA, and TÜV certifications, meeting stringent industry standards.

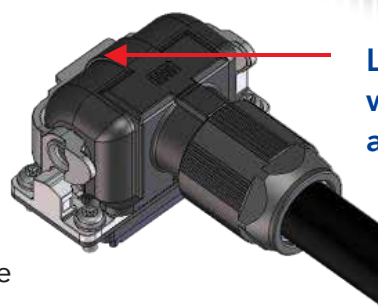
Design Concept

Existing Connector Issues

1. Screw lock makes wiring difficult for operator
2. Motor has power, signal and brake connectors, resulting in connectors taking up a lot of space.
3. Waterproof failure from workers forgetting to tighten screws

MT Series

1. Lever lock enhances wiring operation
2. Power/signal/brake hybrid connector saves space
3. Waterproof mating simply by pushing lever



Lever lock prevents waterproofing failure and is easily attached.

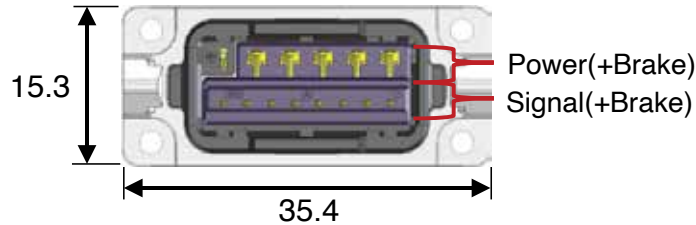
Power/Signal Hybrid Saves Space

[CLICK HERE](#)
FOR MORE INFORMATION

[CLICK HERE TO ORDER](#)
SAMPLE NUMBER:
US-MT50WASAMPLE-24

Space-Saving by Combining Power, Signal & Brake

PCB Mounting Space



PCB Mounting Space **538.5**mm²

Height Reduction



Specifications

CHARACTERISTICS		
Rated Current	Power: 4A/pin (22 AWG) 7A/pin (18 AWG)	Signal: 1A/pin
Rated Voltage	Power: 500V AC	Signal: 100V AC
Operating Temperature	-40 to +105°C*	
Contact Resistance	Power and Signal Contact: 10mΩ Max.	
Withstanding Voltage	Between Power Contacts: 1500V AC for 1 min. Between Signal Contacts: 500V AC for 1 min.	
Insulation Resistance	1000MΩ Min. (500V DC)	
Mating Durability	200 times	

- Applicable Cable: 18-22 AWG (Power), 24-26 AWG (Signal) * Includes the temperature rise by current flow



For additional information please go to
www.hirose.com/product/series/MT

Specifications herein are subject to change without notice.
 Contact Hirose for latest specifications, drawings, or availabilities.

STAY CONNECTED

