

## Overview

The C44U series is a polypropylene segmented metallized film capacitor with a cylindrical, aluminium can-type design filled with resin. It uses screw terminals and a plastic deck.

## Applications

Typical applications include DC filtering and energy storage.

## Benefits

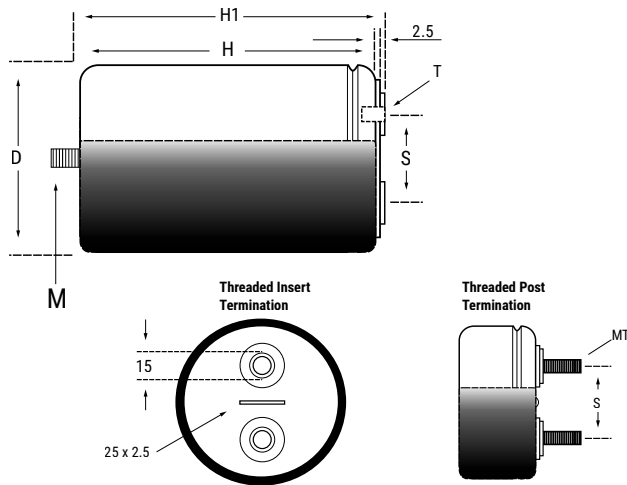
- Controlled self-healing
- Low loss
- High ripple current
- High capacitance density
- Long lifetime



## Part Number System

C4	4	U	Q	G	T	6	5	0	0	F	8	S	K
Series			DC Voltage	Case and Fixing	Terminals Code	Capacitance Code (pF)				Variants	Case Diameter	Film Type	Tolerance
C4 = MKP Capacitors for Power Applications	4 = Cylindrical types	U = DC link	H = 600 V J = 700 V O = 900 V Q = 1,100 V U = 1,300 V	G = Cylindrical case with threaded bolt M12 E = Cylindrical case without threaded bolt	T = M6 female terminals Q = M8 male terminals Y = M8 female terminals	Digits nine, ten, and eleven indicate the first three digits of capacitance value. Digit eight indicates the number of zeros to be added.				A = 85°C hot spot temperature series F/G = 70°C hot spot temperature series	7 = 76 mm 8 = 85 mm	T = Standard film S = Segmented film	J = 5% K = 10%

## Dimensions – Millimeters



<b>D</b>	<b>H</b>	<b>H1</b>	<b>S</b>	<b>Threaded Insert Terminations (T)</b>	<b>Threaded Post Terminations (MT)</b>	<b>Mounting Stud (M)</b>
+1/-0	+0.5/-0	$\pm 1$	$\pm 0.2$			
76	55	61	31.7	M6 x 12	M8 x 22.5	M12 x 16
76	70	76	31.7	M6 x 12	M8 x 22.5	M12 x 16
76	95	101	31.7	M6 x 12	M8 x 22.5	M12 x 16
76	120	126	31.7	M6 x 12	M8 x 22.5	M12 x 16
76	140	146	31.7	M6 x 12	M8 x 22.5	M12 x 16
85	55	61	31.7	M6 x 12	M8 x 22.5	M12 x 16
85	70	76	31.7	M6 x 12	M8 x 22.5	M12 x 16
85	95	101	31.7	M6 x 12	M8 x 22.5	M12 x 16
85	120	126	31.7	M6 x 12	M8 x 22.5	M12 x 16
85	124.5	126	32	M6 x 10	M8 x 22.5	M12 x 16
85	140	146	31.7	M6 x 12	M8 x 22.5	M12 x 16
85	155	161	31.7	M6 x 12	M8 x 22.5	M12 x 16
85	174	180	31.7	M6 x 12	M8 x 22.5	M12 x 16
85	264	270	31.7	M6 x 12	M8 x 22.5	M12 x 16

## Qualifications

Reference Standards	IEC 61071
IEC Climatic Category	40/85/21 according to IEC 60068-1

## General Technical Data

Dielectric	Polypropylene Metallized Film, non-inductive type, self-healing property
Application	DC Filtering/DC Link
Climatic Category	40/85/21 IEC 60068-1
Maximum Operating Temperature	+90°C
Upper Temperature $T_{MAX}$ Group A	+85°C IEC 61071 – Endurance Test Temperature
Upper Temperature $T_{MAX}$ Group B	+70°C IEC 61071 – Endurance Test Temperature
Lower Temperature $T_{min}$	-40°C
Standard	IEC 61071
Protection	Aluminium case with or without, threaded bolt M12
	Plastic deck flame retardant execution UL 94 V-0
	Thermosetting resin sealing UL 94 V-0 compliant
Installation	Any position
Leads	High current M6 or M8 terminals
Packaging	Packed in cardboard boxes with protection for the terminals
RoHS Compliant	Compliant with Directive 2002/95/EC and Directive 2011/65/EU of the European Parliament and of the Council on 8 June 2011, including Commission Delegated Directive (EU) 2015/863 amending Annex II to Directive 2011/65/EU.

## Electrical Characteristics

Capacitance Tolerance	$\pm 10\%$ at +25°C
Dissipation Factor (DF)	$\leq 0.0002$ at 10 kHz with $T = 25^\circ\text{C} \pm 5^\circ\text{C}$
Surge Voltage	$1.5 \times V_{NDC}$ for maximum 10 times in lifetime at +25°C
Over-Voltage (IEC 61071)	$1.15 \times V_{NDC}$ for maximum 30 minimum, once per day
	$1.3 \times V_{NDC}$ for maximum 1 minimum, once per day
Peak Non-Repetitive Current	$1.5 \times I_{pkr}$ maximum 1,000 times in lifetime
Insulation Resistance	$IR \times C \geq 30,000$ seconds at 100 VDC 1 minute at +25°C
Capacitance Deviation in Operation	$\pm 1.5\%$ maximum on capacitance value measured at +25°C
Permissible Relative Humidity	Annual average $\leq 70\%$ ; 85% on 30 days/year randomly distributed throughout the year. Dewing not admissible.

## Life Expectancy

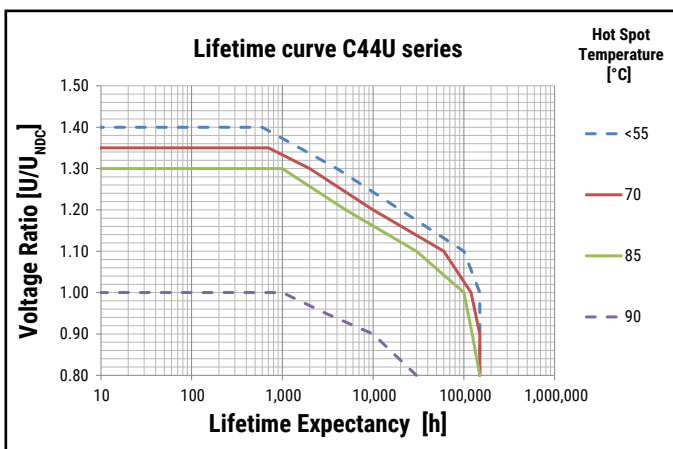
Life Expectancy – Group A	100,000 hours at $V_{NDC}$ at Hot-Spot temperature $T_{HS} = 85^\circ\text{C}$
Life Expectancy – Group B	100,000 hours at $V_{NDC}$ at Hot-Spot temperature $T_{HS} = 70^\circ\text{C}$
Capacitance drop at end of life	-10% (typical)
Failure Rate IEC 61709	50 FIT at $V_{NDC}$ at reference $T_{HS}$ (see FIT curves)

## Test Method

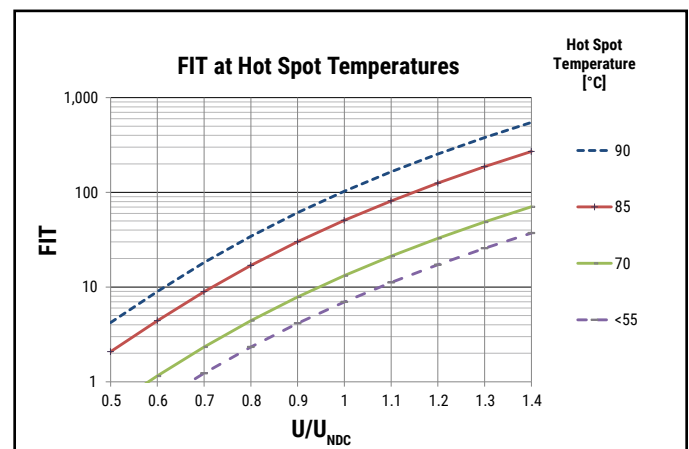
Test voltage between terminals	$1.5 \times V_{NDC}$ for 10 seconds or $1.65 \times V_{NDC}$ for 2 seconds at 25°C
Test voltage between terminals and case	3.2 kVAC 50 Hz for 2 seconds
Damp Heat	IEC 60068-2-78
Change of temperature	IEC 60068-2-14

## Lifetime Expectancy/Failure Quota Graphs

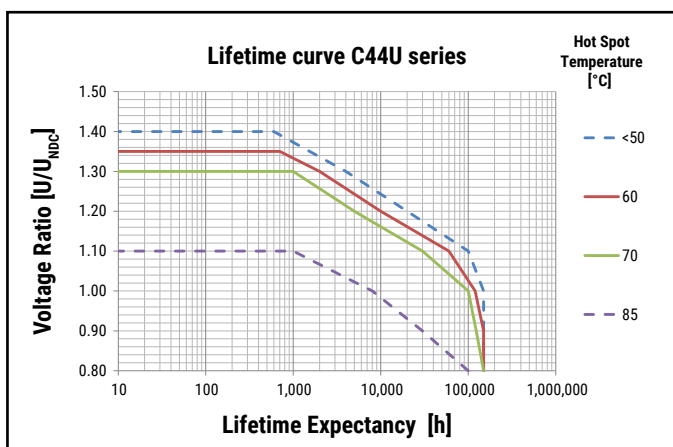
Lifetime Curve Group A – Heavy Duty



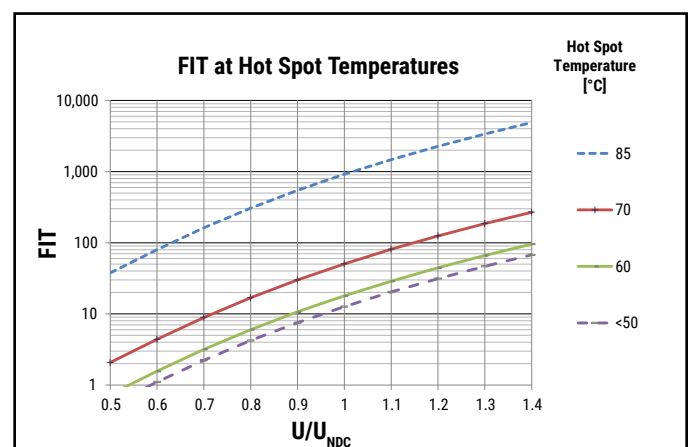
FIT Group A – Heavy Duty



Lifetime Curve Group B – Standard Duty



FIT Group B – Standard Duty



Notes:

$$T_{HS} = T_{AMB} + \Delta T$$

$$\Delta T = ESR * I_{rms}^2 * Rth$$

$I_{rms}$  should be limited to values granting  $\Delta T \leq 45^\circ C$

**Table 1A – Ratings & Part Number Reference**

Cap Value (µF)	VDC	Maximum Dimensions (mm)			Ripple Current	Peak Current	ESR	ESL	Thermal Res	dV/dt (V/µs)	Pkg Qty	Weight (grams)	Part Number Group A Heavy Duty
		D	H	H1	10 kHz 40°C (A) <sup>1</sup>	(A)	10 kHz (mΩ)	(nH)	(°C/W)				
120	700	76	55	61	63	2,520	1.1	36	9.9	21	18	280	C44UJGT6120A7TK
160	700	85	55	61	73	3,360	0.9	36	8.6	21	10	354	C44UJGT6160A8TK
175	700	76	70	76	62	2,450	1.4	40	8.2	14	18	348	C44UJGT6175A7TK
225	700	85	70	76	70	3,150	1.2	40	7.2	14	10	414	C44UJGT6225A8TK
350	700	76	120	126	55	2,450	2.8	50	5.3	7	9	569	C44UJGT6350A7SK
425	700	76	140	146	55	2,550	3.2	60	4.6	6	9	656	C44UJGT6425A7SK
450	700	85	120	126	65	3,150	2.3	50	4.6	7	5	723	C44UJGT6450A8SK
550	700	85	140	146	65	3,300	2.6	60	4.1	6	5	831	C44UJGT6550A8SK
75	900	76	55	61	57	1,950	1.4	36	9.9	26	18	283	C44UOGT5750A7TK
100	900	85	55	61	65	2,600	1.2	36	8.6	26	10	355	C44UOGT6100A8TK
110	900	76	70	76	57	1,870	1.6	40	8.2	17	18	324	C44UOGT6110A7TK
150	900	85	70	76	65	2,550	1.4	40	7.2	17	10	437	C44UOGT6150A8TK
220	900	76	120	126	50	1,980	3.3	50	5.3	9	9	574	C44UOGT6220A7SK
275	900	76	140	146	50	1,925	3.8	60	4.6	7	9	654	C44UOGT6275A7SK
300	900	85	120	126	60	2,700	2.7	50	4.6	9	5	711	C44UOGT6300A8SK
350	900	85	140	146	60	2,450	3.0	60	4.1	7	5	833	C44UOGT6350A8SK
50	1,100	76	55	61	52	1,550	1.6	36	9.9	31	18	265	C44UQGT5500A7TK
70	1,100	85	55	61	62	2,170	1.3	36	8.6	31	10	356	C44UQGT5700A8TK
75	1,100	76	70	76	58	1,575	1.6	40	8.2	21	18	352	C44UQGT5750A7TK
100	1,100	85	70	76	60	2,100	1.7	40	7.2	21	10	414	C44UQGT6100A8TK
150	1,100	76	120	126	45	1,650	4.1	50	5.3	11	9	577	C44UQGT6150A7SK
190	1,100	76	140	146	47	1,710	4.3	60	4.6	9	9	654	C44UQGT6190A7SK
200	1,100	85	120	126	55	2,200	3.2	50	4.6	11	5	723	C44UQGT6200A8SK
250	1,100	85	140	146	55	2,250	3.6	60	4.1	9	5	824	C44UQGT6250A8SK
Cap Value	VDC	D	H	H1	Ripple Current	Peak Current	ESR	ESL	Thermal Res	dV/dt (V/µs)	Pkg Qty	Weight	Part Number

<sup>1</sup> Current values that lead to a ΔT of ~85°C in the Hot Spot  $T_{HS} = T_{AMB} + \Delta T = 85^\circ\text{C}$   
For Packaging quantities not listed, please contact KEMET.

**Table 1B – Ratings & Part Number Reference**

Cap Value (µF)	VDC	Maximum Dimensions (mm)			Ripple Current	Peak Current	ESR	ESL	Thermal Res	dV/dt (V/µs)	Pkg Qty	Weight (grams)	Part Number Group B Standard Duty
		D	H	H1	10 kHz 40°C (A) <sup>1</sup>	(A)	10 kHz (mΩ)	(nH)	(°C/W)				
600	600	85	124.5	126	83	8,200	0.75	50	5.8	14	5	940	C44UHGT6600G8TK
200	900	76	95	101	45	2,000	2.3	36	6.4	10	9	645	C44UOGQ6200F7SK
270	900	76	95	101	50	2,700	1.8	36	6.4	10	9	610	C44UOGQ6270F7SK
370	900	85	95	101	60	3,700	1.4	40	5.6	10	5	715	C44UOGQ6370F8SK
510	900	85	120	126	60	3,570	1.8	40	4.6	7	5	840	C44UOGQ6510F8SK
600	900	85	140	146	58	4,200	2.2	40	4.1	7	5	950	C44UOGQ6600F8SK
130	1,100	76	95	101	40	1,560	2.8	36	6.4	12	9	580	C44UQGQ6130F7SK
175	1,100	76	95	101	46	2,100	2.2	36	6.4	12	9	610	C44UQGQ6175F7SK
240	1,100	85	95	101	56	2,880	1.7	40	5.6	12	5	710	C44UQGQ6240F8SK
280	1,100	76	140	146	43	1,960	3.4	40	4.6	7	9	805	C44UQGQ6280F7SK
330	1,100	85	140	146	50	2,310	2.9	40	4.1	7	5	990	C44UQGQ6330F8SK
420	1,100	85	155	161	60	2,940	2.1	60	3.7	7	5	1120	C44UQGT6420G8SK
500	1,100	85	174	180	90	6,000	1.1	80	3.4	12	5	1120	C44UQGQ6500F8SK
90	1,300	76	95	101	37	1,350	3.3	36	6.4	15	9	580	C44UUGQ5900F7SK
120	1,300	76	95	101	43	1,800	2.5	36	6.4	15	9	610	C44UUGQ6120F7SK
165	1,300	85	95	101	52	2,475	2.0	40	5.6	15	5	716	C44UUGQ6165F8SK
195	1,300	76	140	146	40	1,755	4.0	50	4.6	9	9	797	C44UUGQ6195F7SK
250	1,300	85	140	146	47	2,250	3.3	50	4.1	9	5	957	C44UUGQ6250F8SK
320	1,300	85	174	180	82	4,800	1.3	80	3.4	15	5	1130	C44UUGQ6320F8SK
550	1,300	85	264	270	82	4,950	1.9	100	2.3	9	5	1600	C44UUGQ6550F8SK
Cap Value	VDC	D	H	H1	Ripple Current	Peak Current	ESR	ESL	Thermal Res	dV/dt (V/µs)	Pkg Qty	Weight	Part Number

<sup>1</sup> Current values that lead to a  $\Delta T$  of  $\sim 70^\circ\text{C}$  in the Hot Spot à  $T_{HS} = T_{AMB} + \Delta T = 70^\circ\text{C}$   
For Packaging quantities not listed, please contact KEMET.

## Marking

MKP C44U	← Dielectric Type. Series.
500µF ±10%	← Capacitance. Tolerance.
Un = 1100V~	← Rated Voltage
-40 +85°C	← Climatic Category Temperatures - Minimum/Maximum
NO PCB SH	← Self-Healing Dielectric.
B7 11257039	← Production Date. Batch Number.

## Environmental Compliance

As a leading global supplier of electronic components and an environmentally conscious company, KEMET continually aspires to improve the environmental effects of our manufacturing processes and our finished electronic components.

In Europe (RoHS Directive) and in some other geographical areas such as China (China RoHS), legislation has been enacted to prevent or otherwise limit the use of certain hazardous materials, including lead (Pb), in electronic equipment. KEMET monitors legislation globally to ensure compliance and endeavors to adjust our manufacturing processes and/or electronic components as may be required by applicable law.

For military, medical, automotive, and some commercial applications, the use of lead (Pb) in the termination is necessary and/or required by design. KEMET is committed to communicating RoHS compliance to our customers. Information related to RoHS compliance will be provided in data sheets and using specific identifiers on the packaging labels.

All KEMET power film capacitors are RoHS compliant.

---

## Materials & Environment

The selection of raw materials that KEMET uses for the production of its electronic components is the result of extensive experience. KEMET directs specific attention toward environmental protection. KEMET selects its suppliers according to ISO 9001 standards and performs statistical analyses on raw materials before acceptance for use in manufacturing our electronic components. All materials are, to the best of KEMET's knowledge, non-toxic and free from cadmium; mercury; chrome and compounds; polychlorine triphenyl (PCB); bromide and chlorinedioxins bromurate clorurate; CFC and HCFC; and asbestos.

## Dissipation Factor

Dissipation factor is a complex function involved with capacitor inefficiency. The  $\tan \delta$  may vary up and down with increased temperature. For more information, refer to Performance Characteristics.

## Sealing

### Hermetically Sealed Capacitors

As the temperature increases, the pressure inside the capacitor increases. If the internal pressure is high enough, it can cause a breach in the capacitor. Such a breach can result in leakage, impregnation, filling fluid, or moisture susceptibility.

### Barometric Pressure

The altitude at which hermetically sealed capacitors are operated controls the capacitor's voltage rating. As the barometric pressure decreases, the susceptibility to terminal arc-over increases. Non-hermetic capacitors can be affected by internal stresses due to pressure changes. These effects can be in the form of capacitance changes, dielectric arc-over, and/or low insulation resistance. Altitude can also affect heat transfer. Heat that is generated in an operation cannot be dissipated properly, and high RI2 losses and eventual failure can result.

## KEMET Electronics Corporation Sales Offices

For a complete list of our global sales offices, please visit [www.kemet.com/sales](http://www.kemet.com/sales).

---

### Disclaimer

All product specifications, statements, information and data (collectively, the "Information") in this datasheet are subject to change. The customer is responsible for checking and verifying the extent to which the Information contained in this publication is applicable to an order at the time the order is placed. All Information given herein is believed to be accurate and reliable, but it is presented without guarantee, warranty, or responsibility of any kind, expressed or implied.

Statements of suitability for certain applications are based on KEMET Electronics Corporation's ("KEMET") knowledge of typical operating conditions for such applications, but are not intended to constitute – and KEMET specifically disclaims – any warranty concerning suitability for a specific customer application or use. The Information is intended for use only by customers who have the requisite experience and capability to determine the correct products for their application. Any technical advice inferred from this Information or otherwise provided by KEMET with reference to the use of KEMET's products is given gratis, and KEMET assumes no obligation or liability for the advice given or results obtained.

Although KEMET designs and manufactures its products to the most stringent quality and safety standards, given the current state of the art, isolated component failures may still occur. Accordingly, customer applications which require a high degree of reliability or safety should employ suitable designs or other safeguards (such as installation of protective circuitry or redundancies) in order to ensure that the failure of an electrical component does not result in a risk of personal injury or property damage.

Although all product-related warnings, cautions and notes must be observed, the customer should not assume that all safety measures are indicated or that other measures may not be required.

*KEMET is a registered trademark of KEMET Electronics Corporation.*